

MATERIALS AND FINISHES

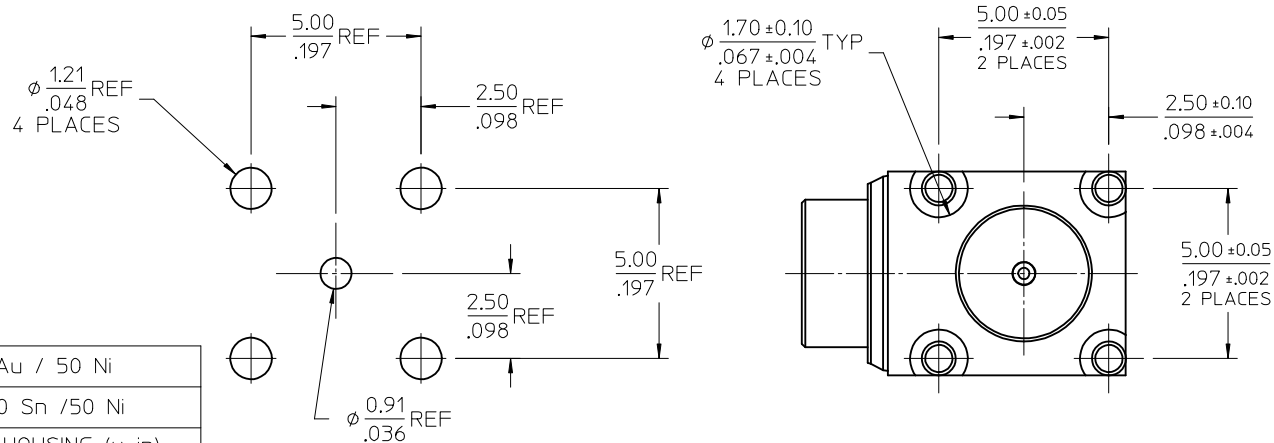
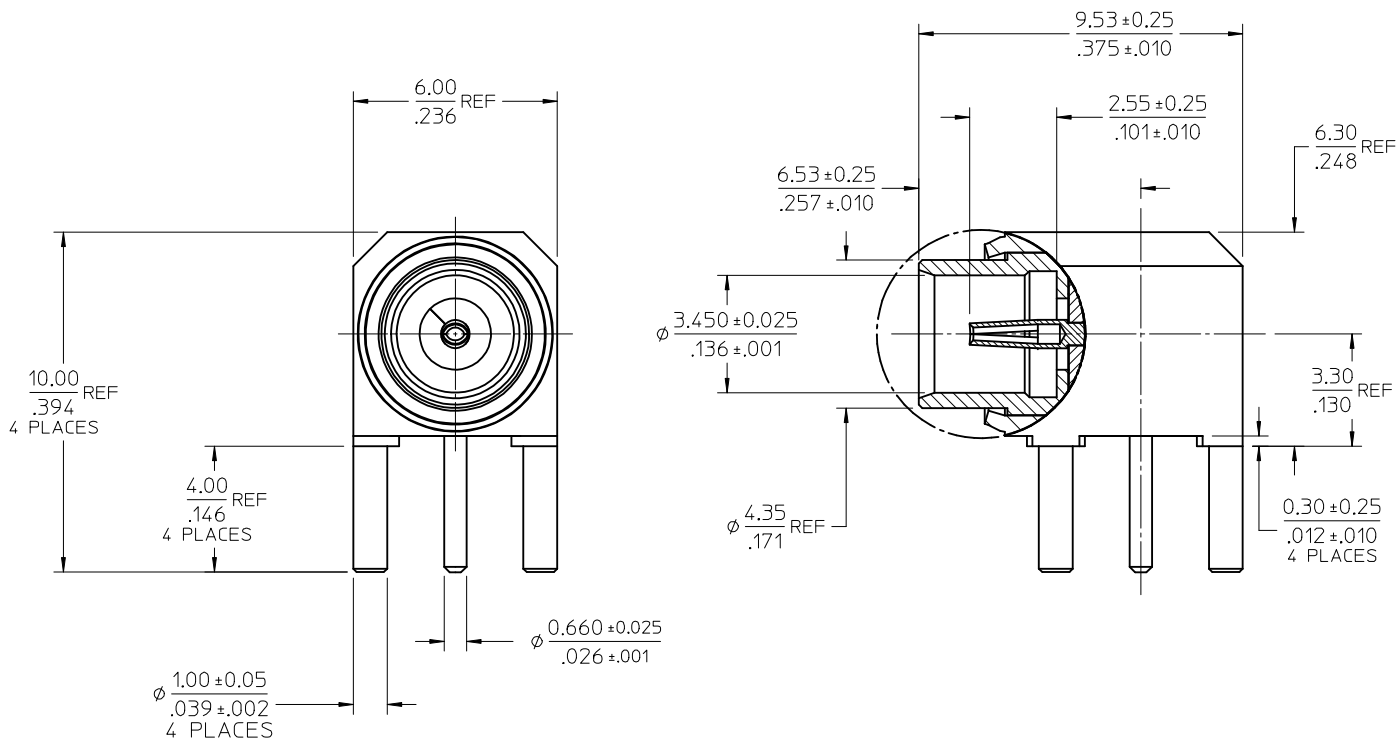
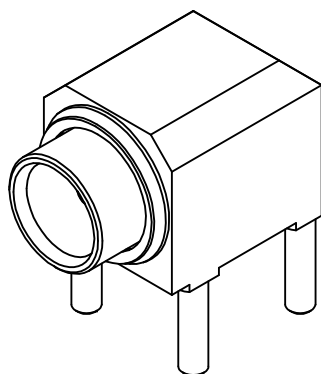
BODY: BRASS
PLATED SEE TABLE

CENTER CONTACT: BERYLLIUM COPPER
PLATED SEE TABLE

INSULATOR: PTFE

HOUSING: ZINC ALLOY
PLATED SEE TABLE

PACKAGING
TRAY



RECOMMENDED MOUNTING PATTERN

PS-89675-1830	PRODUCT SPECIFICATION
SPECIFICATION	DESCRIPTION

73415-0781	30 Au / 100 Ni	30 Au / 100 Ni	1 Au / 50 Ni
73415-0780	70 Ni / 30 Cu	50 Au / 100 Ni	150 Sn / 50 Ni
PART NO.	BODY (μ-in)	CONTACT (μ-in)	HOUSING (μ-in)

CHG: ADDED NEW P/N 73415-0781 EC NO: URF2016-0138 DRW: DRWNSHAT CHK: CHKD:SSS APPR: AROBERTSON 2015/08/25 2015/08/25 2015/08/28	QUALITY SYMBOLS ▽=0 ▽=0 ▽=0	GENERAL TOLERANCES (UNLESS SPECIFIED)		DIMENSION STYLE MM/IN		SCALE	DESIGN UNITS	THIRD ANGLE PROJECTION	
							INCH		
						DRAWN BY	DATE		TITLE
						CHECKED BY	DATE		MCX JACK 75 OHM R/A PCB TYPE MCX-J/RA/PCB
						APPROVED BY	DATE	molex DOCUMENT NO. SD-73415-078 SHEET NO. 1 OF 1	
						GMH	1998/10/13		
						MATERIAL NO. SEE TABLE			
						DRAFT WHERE APPLICABLE MUST REMAIN WITHIN DIMENSIONS			
						THIS DRAWING CONTAINS INFORMATION THAT IS PROPRIETARY TO MOLEX INCORPORATED AND SHOULD NOT BE USED WITHOUT WRITTEN PERMISSION			