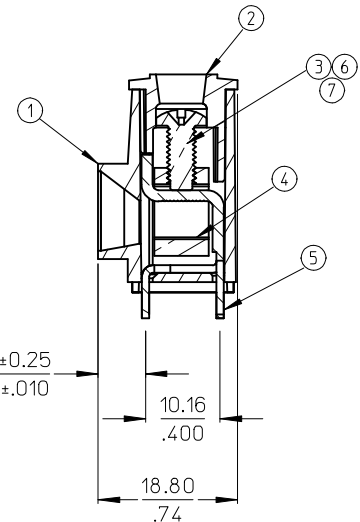
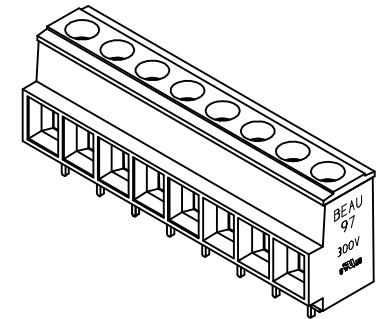
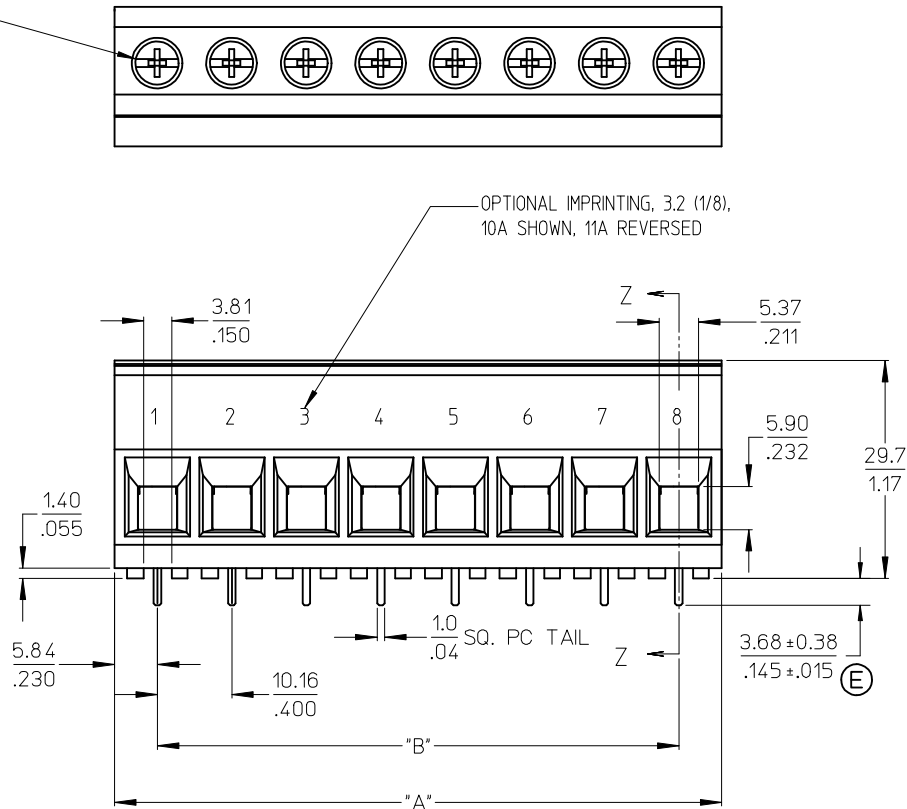


NOTES:

1. MATERIAL: SEE TABLE.
2. FINISHES: SEE TABLE.
3. PRODUCT SPECIFICATION: NOT REQUIRED.
4. PACKAGING: NOT REQUIRED.
5. MATES WITH: NONE.
6. ALL FEATURES ARE TYPICAL UNLESS OTHERWISE NOTED.
7. PART IS DESIGNED TO MEET UL 1059 CLASS C 300V, 60A.
8. "XX" REFERS TO NUMBER OF CIRCUITS.
9. FOR OPTIONAL IMPRINTING REFER TO SD-38120-005
10. ASSEMBLY IS ROHS COMPLIANT.



SECTION Z-Z

7	XX	SCREW, M4 X .07 POZI-SLOT (-56 OPT)	ST. STEEL	TIN PLATE
6	XX	SCREW, M4 X 0.7 SLOTTED	BRONZE	TIN PLATE
5	XX	TERMINAL	COPPER	TIN PLATE
4	XX	CAGE	BRASS	NICKEL PLATE
3	XX	SCREW, M4 X .07 POZI-SLOT	BRONZE	TIN PLATE
2	1	COVER	POLYESTER (PBT)	BLACK
1	1	BODY	POLYESTER (PBT)	BLACK

UPDATE TERM. HEIGHT DIM.
 EC NO: WNA2009-0445
 DRAWN: JENCINAS 2009/07/07
 CHKD: CYORK 2009/07/02
 APPR: JMAGNEILL 2009/07/02

QUALITY SYMBOLS
 ▽=0
 ▽=0

GENERAL TOLERANCES (UNLESS SPECIFIED)

	mm	INCH
4 PLACES	± .---	± .---
3 PLACES	± .---	± .005
2 PLACES	± 0.13	± .01
1 PLACE	± 0.3	± .---

ANGULAR ± 2 °

DRAFT WHERE APPLICABLE
 MUST REMAIN WITHIN DIMENSIONS

DIMENSION STYLE
MM/IN

DRAWN BY DATE
 R. STONE 2002/09/13

CHECKED BY DATE
 R. KEMP 2002/09/13

APPROVED BY DATE
 L. ROTHHAUS 2002/09/27

MATERIAL NO.

SCALE
3:2

DESIGN UNITS
INCH

THIRD ANGLE PROJECTION

TITLE
**10.16MM/.400 SINGLE ROW
 BTS ASSY, 6 AWG,
 300V 60A**

MOLEX INCORPORATED

DOCUMENT NO.
SD-39970-003

SHEET NO.
1 OF 2

STD MATERIAL NUMBER	OPTIONAL 10A IMPRINT	OPTIONAL 11A IMPRINT	OPTIONAL SS SCREW (OPT. -56)	OPTIONAL SLOTTED SCREW	OPTIONAL SLOTTED SCREW W/10A IMPRINT	OPTIONAL SLOTTED SCREW W/11A IMPRINT	NUMBER OF CIRCUITS	"A" DIM.	"B" DIM.
399700102	399720102	399730102	399700602	399700402	399720402	399730402	2	21.84 [.86]	10.16 [.400]
399700103	399720103	399730103	399700603	399700403	399720403	399730403	3	32.00 [1.26]	20.32 [.800]
399700104	399720104	399730104	399700604	399700404	399720404	399730404	4	42.16 [1.66]	30.48 [1.200]
399700105	399720105	399730105	399700605	399700405	399720405	399730405	5	52.32 [2.06]	40.64 [1.600]
399700106	399720106	399730106	399700606	399700406	399720406	399730406	6	62.48 [2.46]	50.80 [2.000]
399700107	399720107	399730107	399700607	399700407	399720407	399730407	7	72.64 [2.86]	60.96 [2.400]
399700108	399720108	399730108	399700608	399700408	399720408	399730408	8	82.80 [3.26]	71.12 [2.800]
399700109	399720109	399730109	399700609	399700409	399720409	399730409	9	92.96 [3.66]	81.28 [3.200]
399700110	399720110	399730110	399700610	399700410	399720410	399730410	10	103.12 [4.06]	91.44 [3.600]
399700111	399720111	399730111	399700611	399700411	399720411	399730411	11	113.28 [4.46]	101.60 [4.000]
399700112	399720112	399730112	399700612	399700412	399720412	399730412	12	123.44 [4.86]	111.76 [4.400]
399700113	399720113	399730113	399700613	399700413	399720413	399730413	13	133.60 [5.26]	121.92 [4.800]
399700114	399720114	399730114	399700614	399700414	399720414	399730414	14	143.76 [5.66]	132.08 [5.200]

SEE SHEET ONE EC NO: WNA2009-0445 DRAWN: JENC INAS 2009/07/01 CHKD: CYORK 2009/07/02 APPR: JMACNE IL 2009/07/02	QUALITY SYMBOLS	GENERAL TOLERANCES (UNLESS SPECIFIED)	DIMENSION STYLE	SCALE	DESIGN UNITS	THIRD ANGLE PROJECTION
	▽=0 ▽=0	mm	MM/IN	3:2	INCH	10.16MM/.400 SINGLE ROW BTS ASSY, 6 AWG, 300V 60A
		INCH				
		4 PLACES ± ---	± ---	DRAWN BY DATE	TITLE	
		3 PLACES ± ---	± .005	R. STONE 2002/09/13	10.16MM/.400 SINGLE ROW BTS ASSY, 6 AWG, 300V 60A	
	2 PLACES ± 0.13	± .01	CHECKED BY DATE			
	1 PLACE ± 0.3	± ---	R. KEMP 2002/09/13			
	ANGULAR ± 2 °		APPROVED BY DATE			
	DRAFT WHERE APPLICABLE MUST REMAIN WITHIN DIMENSIONS		L. ROTHMAUS 2002/09/27			
			MATERIAL NO.	DOCUMENT NO.		SHEET NO.
			SEE CHART	SD-39970-003		2 OF 2
			THIS DRAWING CONTAINS INFORMATION THAT IS PROPRIETARY TO MOLEX INCORPORATED AND SHOULD NOT BE USED WITHOUT WRITTEN PERMISSION			