



## Main

Range of Product	Harmony 9001K
Product or Component Type	Head for push-button
Product Compatibility	Contact block 9001KA..
Device short name	9001K
Type of operator	Spring return
Operator profile	Green mushroom Ø 40 mm, unmarked

## Complementary

Bezel material	Metal
Mounting diameter	1.18 in (30 mm)
CAD overall width	1.79 in (45.5 mm)
CAD overall height	1.77 in (45 mm)
CAD overall depth	2.76 in (70 mm)
Net Weight	0.31 lb(US) (0.141 kg)
Operating position	Any position
Shape of signaling unit head	Round
Head material	Metal
Operator additional information	Screw-on metal with set screw
Contacts type and composition	Without contact block
Mechanical durability	5000000 cycles
Device presentation	Basic element

## Environment

Protective treatment	TC
Ambient Air Temperature for Storage	-40...158 °F (-40...70 °C)
Ambient Air Temperature for Operation	-13...158 °F (-25...70 °C)
Overvoltage category	Class II IEC 61140
IP degree of protection	IP66 IEC 60529
NEMA degree of protection	NEMA 1 NEMA 12 NEMA 13 NEMA 2 NEMA 3 NEMA 3R NEMA 4 NEMA 6
Standards	EN/IEC 60947-5-1 EN/IEC 60947-1 EN/IEC 60947-5-4 JIS C 4520 JIS C 852 UL 508 CSA C22.2 No 14

Product Certifications	UL 508 NEMA
Vibration resistance	7 gn 2...500 Hz)IEC 60068-2-6
Shock resistance	50 gn IEC 60068-2-27

### Ordering and shipping details

Category	21426-9001 K (NOT KA,KM,KX)
Discount Schedule	CS1
GTIN	785901521501
Nbr. of units in pkg.	1
Package weight(Lbs)	4.48 oz (127.006 g)
Returnability	Yes
Country of origin	MX

### Packing Units

Unit Type of Package 1	PCE
Package 1 Height	11.43 in (29.032 cm)
Package 1 width	4.50 in (11.43 cm)
Package 1 Length	29.03 in (73.742 cm)

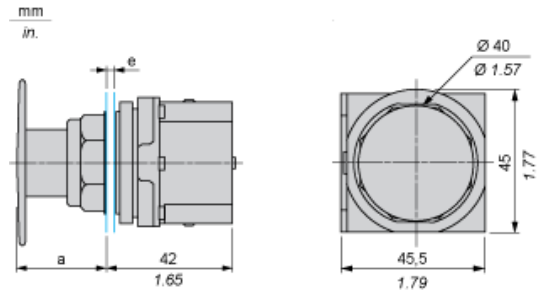
### Offer Sustainability

Sustainable offer status	Green Premium product
California proposition 65	WARNING: This product can expose you to chemicals including: Lead and lead compounds, which is known to the State of California to cause cancer and birth defects or other reproductive harm. For more information go to <a href="http://www.P65Warnings.ca.gov">www.P65Warnings.ca.gov</a>
REACH Regulation	<a href="#">REACH Declaration</a>
EU RoHS Directive	Pro-active compliance (Product out of EU RoHS legal scope) <a href="#">EU RoHS Declaration</a>
Mercury free	Yes
RoHS exemption information	<a href="#">Yes</a>
China RoHS Regulation	<a href="#">China RoHS Declaration</a>
Environmental Disclosure	<a href="#">Product Environmental Profile</a>
WEEE	The product must be disposed on European Union markets following specific waste collection and never end up in rubbish bins.

### Contractual warranty

Warranty	18 months
----------	-----------

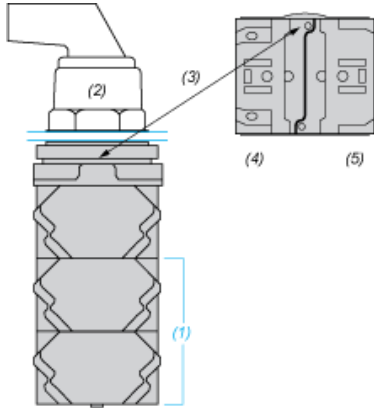
Dimensions



- e panel thickness: 1 to 6 mm / 0.04 to 0.24 in.
- a 32 mm / 1.26 in.

Contact Block Mounting Position

Top and Rear views



- (1) It is possible to mount up to 3 levels of contacts blocks (maximum of 6 contacts blocks)
- (2) Operator
- (3) Locating notch
- (4) Side 1
- (5) Side 2

Panel Cut-Out

Clearance



Legend plate	a min.		b min.	
	mm	in.	mm	in.
9001KN2••	57.2	2.25	44.5	1.75
9001KN3••	57.2	2.25	50.8	2.00

Individual Cut-outs Details

2 alternatives

