

PFL LED multi strobe beacon

- Ø 75 mm compact LED multi-strobe beacon
- Low lens – good signalling effect
- Prewired with 1 m PUR cable – ready to use
- High degree of protection IP 67 & IP 69

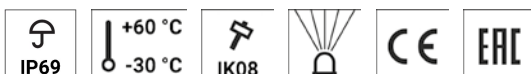
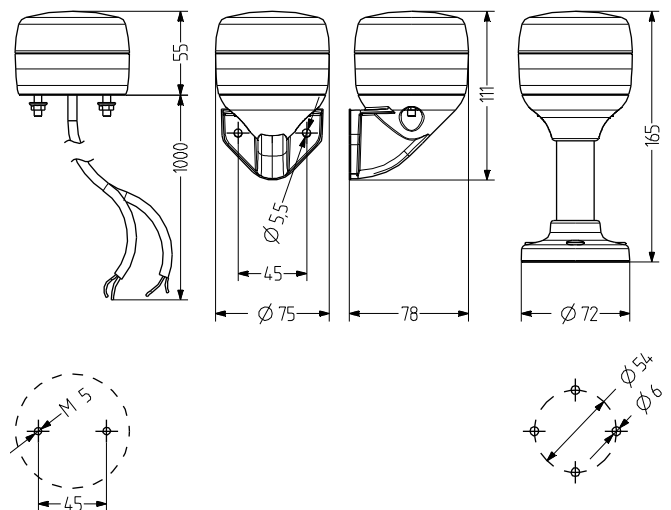
- Modern LED technology and electronics
- 2 different strobe patterns, can be switched externally
- Premounted stainless-steel fixing screws
- 3 types of mounting, for industrial and general applications



Sealed cable
insulation/entry

TECHNICAL DATA

Housing	Ø 75 mm, 55 mm High lens , Polycarbonate black (RAL 9005)
Lens	Polycarbonate, ribbed inside orange, red
Type of mounting	any
Cable entry	pre-wired (1 m cable)
Leakage current	0,003 A (PLC-suitable)
Beacon type	LED multi strobe beacon
Light source	16 LEDs
Strobe/flash frequency	6x strobe/multi strobe 1 Hz
Duty cycle	100 %
Service life	Light source: >50.000 h
Operating temperature	-30°C/+60°C
Degree of protection	IP67 & IP69
Impact resistance	IK08
Weight	150 g



PFL

ORDER DATA

Lens colour	Nominal voltage	Voltage range (V)	Nominal current (A)	Order number
amber	24 V AC/DC	+/- 10 %	0,120	861 511 405
	110-120 V AC	+/- 10 %	0,045	861 511 310
	230-240 V AC	+/- 10 %	0,045	861 511 313
red	24 V AC/DC	+/- 10 %	0,120	861 512 405
	110-120 V AC	+/- 10 %	0,045	861 512 310
	230-240 V AC	+/- 10 %	0,045	861 512 313



Strobe



PMR



PVW



XWR

ACCESSORIES

Type	Type of accessory	Tube length	Weight	Order number
PMR	Tube base Aluminium tube with plastic foot	100 mm		860 702 900
		250 mm		860 703 900
PVW	Bracket for vertical mounting			860 600 900
XWR	Bracket for vertical mounting of TMR/UMR tube base		95 g	900 600 900