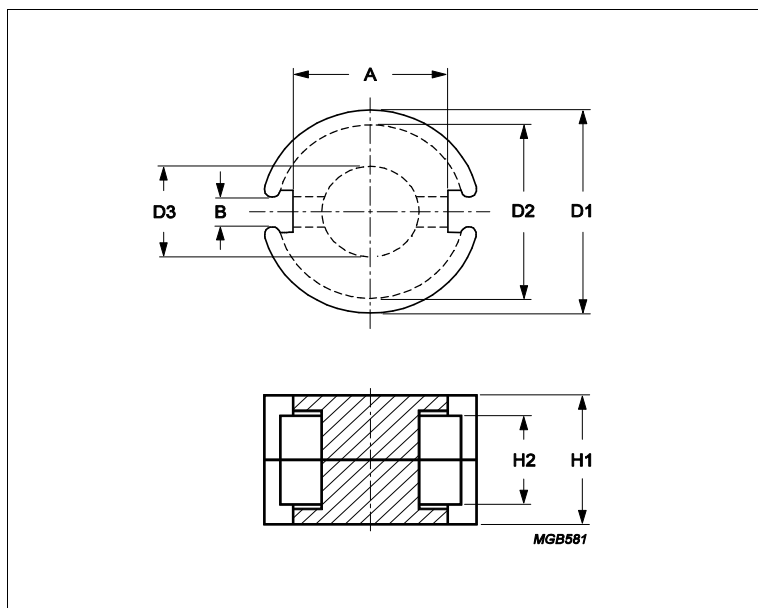


Core **P14/8/I**



Effective parameters			
	Parameter	Value	Unit
$\Sigma(I/A)$	core factor (C1)	0.7	mm ⁻¹
Ve	effective volume	628	mm ³
Le	effective length	21	mm
Ae	effective area	29.9	mm ²
Amin	minimum area	23.6	mm ²
m	P14/8/I	≈ 3.5	g/set

Dimensions for product: P14/8/I

	Nom	Tol +	Tol -	Max	Min	Unit
A	9.50	0.30	0.30	9.80	9.20	mm
B	3.30	0.60	0.60	3.90	2.70	mm
D1	14.05	0.25	0.25	14.30	13.80	mm
D2	11.80	0.20	0.20	12.00	11.60	mm
D3	5.90	0.10	0.10	6.00	5.80	mm
H1	8.40	0.15	0.15	8.55	8.25	mm
H2	5.60	0.40	0.00	6.00	5.60	mm

Inductance factor

Material	Value	Tol +	Tol -	Unit
3C91	2900	25%	25%	nH/turns ²
3C95	2900	25%	25%	nH/turns ²
3F36	1800	25%	25%	nH/turns ²
3F46	1100	25%	25%	nH/turns ²

Power loss: 3C91

Measuring conditions			Max	Unit
100 kHz	200 mT	60 °C	0.310	W/set

Power loss: 3C95

Measuring conditions			Max	Unit
100 kHz	200 mT	100 °C	0.300	W/set
100 kHz	200 mT	25 °C	0.330	W/set

Power loss: 3F36

Measuring conditions			Max	Unit
----------------------	--	--	-----	------

Core **P14/8/I**

Power loss: 3F36

Measuring conditions			Max	Unit
500 kHz	50 mT	100 °C	0.094	W/set
500 kHz	100 mT	100 °C	0.720	W/set

Power loss: 3F46

Measuring conditions			Max	Unit
1000 kHz	50 mT	100 °C	0.250	W/set
3000 kHz	10 mT	100 °C	0.091	W/set

Bsat

Measuring conditions			Material	Min	Unit
25 kHz	250 A/m	100 °C	3C91	320	mT
25 kHz	250 A/m	100 °C	3C95	330	mT
25 kHz	250 A/m	100 °C	3F36	340	mT
25 kHz	250 A/m	100 °C	3F46	330	mT

Accessories

Ordering name	Description	Ordering code
CP-P14/8-1S	Coil former, termoplastic	432202102361
CP-P14/8-1S-A	Coil former, termoplastic	433500026041
CP-P14/8-2S	Coil former, termoplastic	432202102371
CP-P14/8-3S-A	Coil former, termoplastic	433500026061
CPV-P14/8-1S-4SPD-Z	Coil former, termoplastic, vertical	433506026351
CPV-P14/8-1S-6PD-Z	Coil former, termoplastic, vertical	433506026371
CPV-P14/8-2S-4SPD-Z	Coil former, termoplastic, vertical	433506026391
CPV-P14/8-2S-6PDL-Z	Coil former, termoplastic, vertical	433506026421
CPV-P14/8-2S-6PD-Z	Coil former, termoplastic, vertical	433506026411