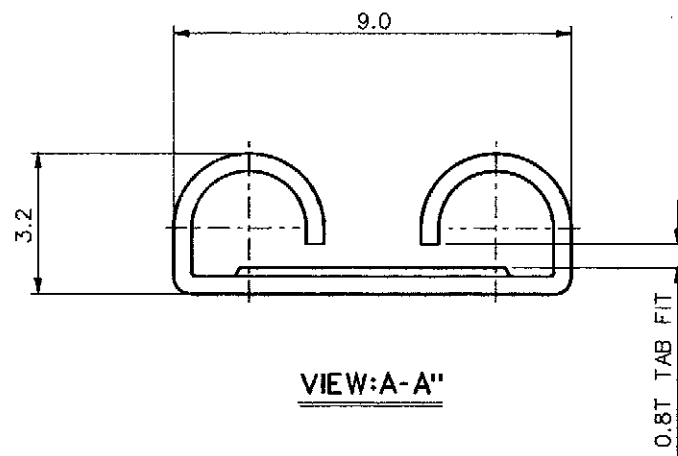
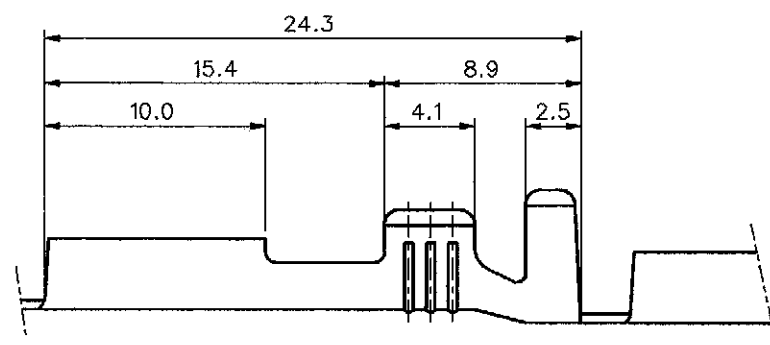
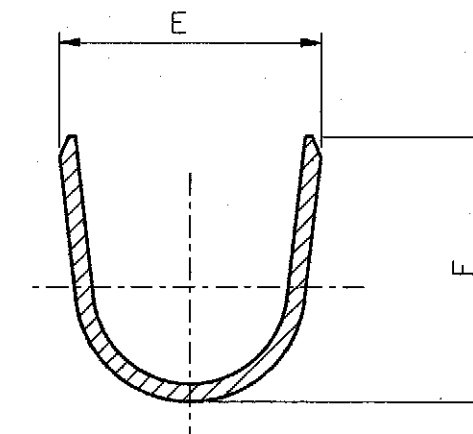
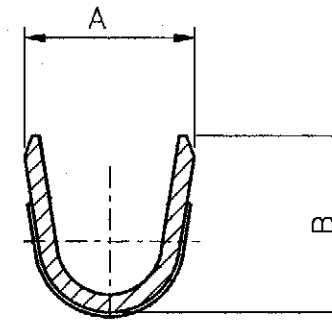
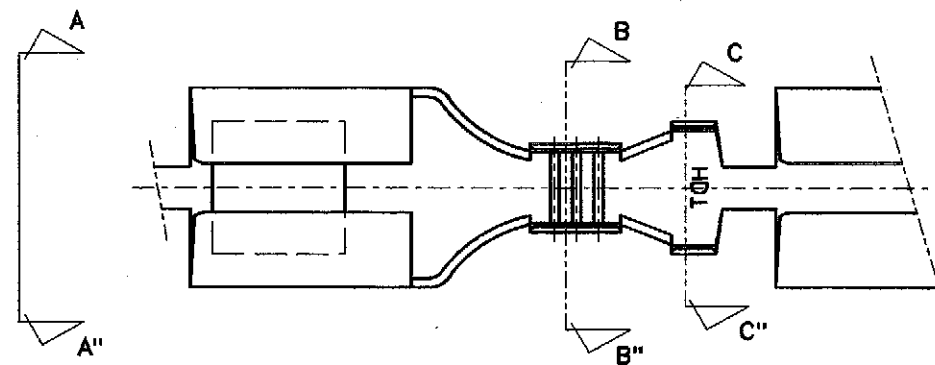


PROJECT NAME

DEMENSION IN METRIC

DO NOT SCALE DRAWING



SECTION: B-B''

SECTION: C-C''

PART.NO	A	B	E	F
35032-980*	3.6	3.7	5.3	5.1
35032-990*	4.9	6.2	8.5	8.5

NOTES

- MATERIAL: BRASS, THK': 0.4
- PLATING: POST-TIN PLATING
- WIRE SIZE: AWG#14-12: **35032-980*** * : 0.4_L plated
AWG#12-10: **35032-990***

					PACKAGING 2,000 Q'TY / REEL	TOLERANCES IN METRIC		IMPORTANCE CLASSIFICATION		MATERIAL		SHEET NO. 10F1	DATE 1992.3.12
					WIRE RANGE	3 PLACE ±	▽ : CRITICAL	▽ : MAJOR	CODE : SEE NOTES		molex MX-HDT KOREA CO.,LTD		
					AWG.: SEE MM ² : TABLE	2 PLACE ±	□ : MINOR	() : REFERENCE	THK. : ±		REVISE ONLY ON CAD SYSTEM		
						1 PLACE ±0.30			WIDTH : ±		TITLE: .312 SLIP-ON RECEPTACLE		
B	Revised	92-012	YANG	92.9.29		TOLERANCES ANGULAR : 0.5°		DRAWN BY W.Y.YANG		CHK'D BY		EDP.NO.	
A	NEW RELEASE		YANG	1992.3.12				APP'D BY		SCALE N/S		ENG.NO. SD 35032-9***	
LTR	REVISION RECORD	ECN NO.	NAME	DATE								REV. 9	

8

7

6

5

4

3

2

MOLEX KOREA CO.,LTD