



# ICT Series

## Industrial Control Transformers

### Isolation and Buck Boost in a NEMA 3R Compliant Enclosure

The ICT series is designed with flexibility to support both isolation and/or buck boost severe duty applications while offering many standard features.

#### General Specifications

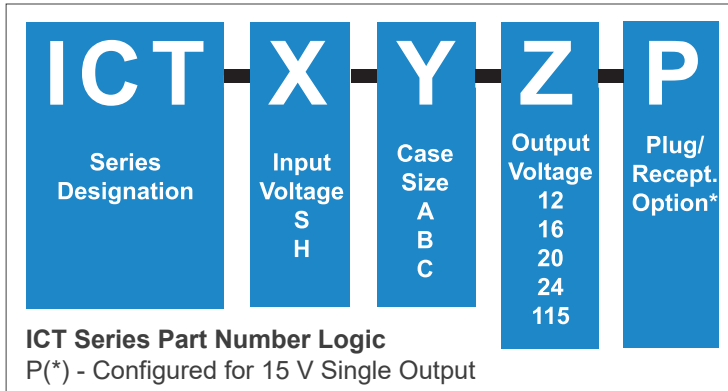
- Epoxy encapsulated, impervious to atmospheric conditions
- Incorporates Class H 180.0 °C, UL 1446 insulation systems
- Powder-coated, NEMA 3R-compliant steel case
- Line isolation and stray field filtering
- Bottom and/or side conduit access
- Convenient side or top mounting offers easy access
- Available with optional NEMA cord set and outlet
- Suitable for both indoor and outdoor applications
- Standard input voltage: 115, 230, and 480 V
- Standard available outputs: 12, 16, 20, 24, and 115 V
- Electrostatic screen (ESS) terminal
- Conforms to UL 506, 508, and 5085-2



OBBS

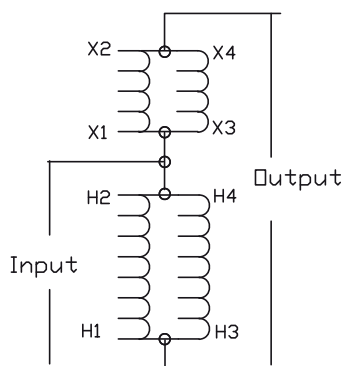
## Part Number Configuration

Based on the case size, input voltage, and output voltage required.

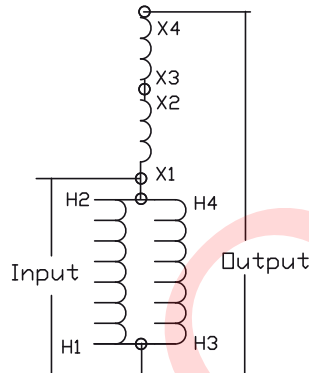


Input Voltages	
S	2 x 115 V
H	2 x 240 V

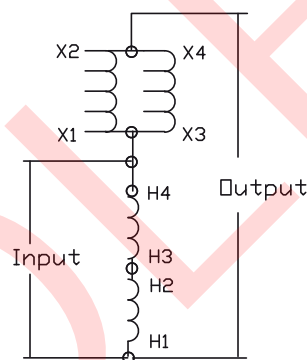
Output Voltages	
12	2 x 12 V
16	2 x 16 V
20	2 x 20 V
24	2 x 24 V
115	2 x 115 V



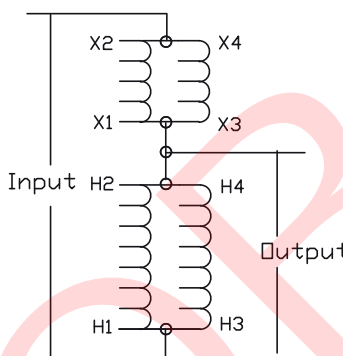
Boost Mode Auto



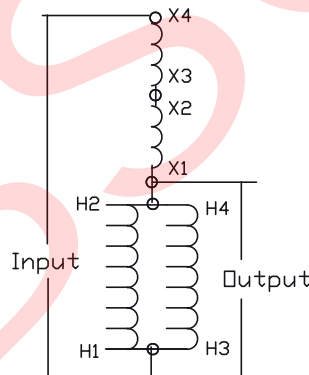
Boost Mode Auto



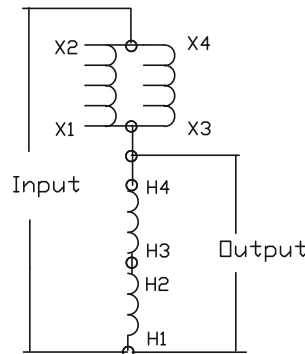
Boost Mode Auto



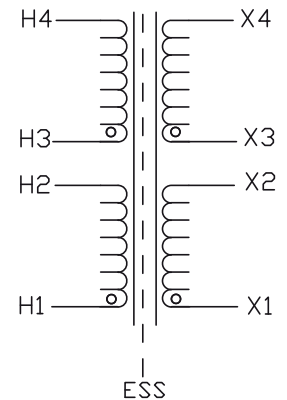
Buck Mode Auto



Buck Mode Auto



Buck Mode Auto



Transformer Schematic as supplied

**Notes:**

1. Units with optional line cords are for indoor use only.
2. Contact Signal for compliance services.



Custom versions available upon request.



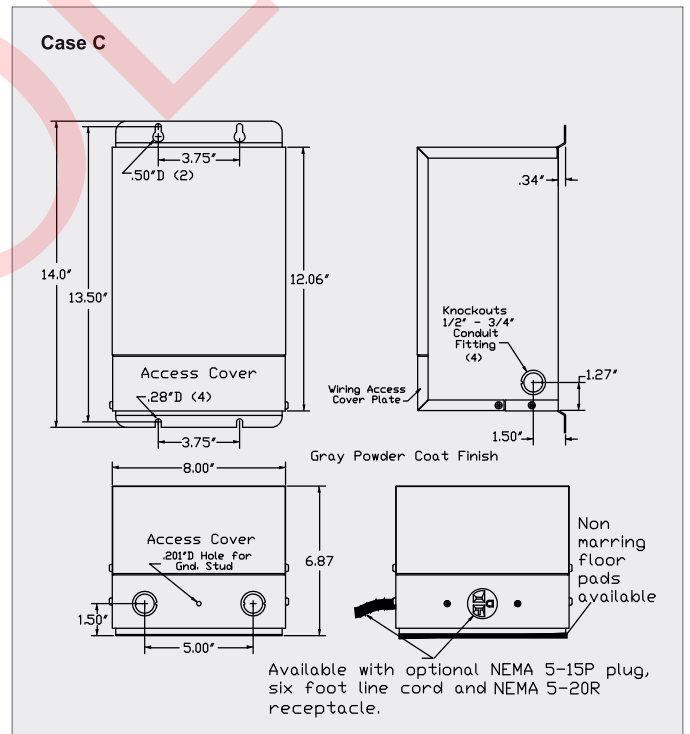
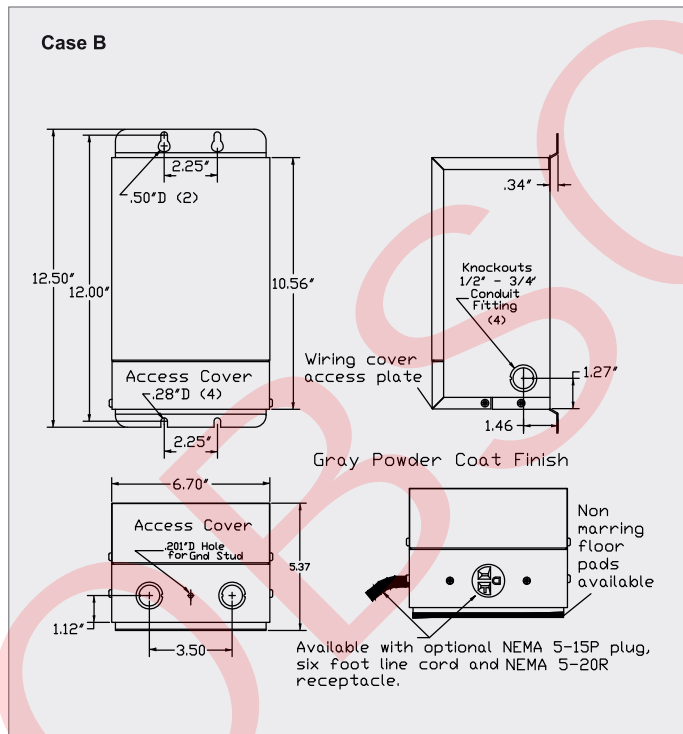
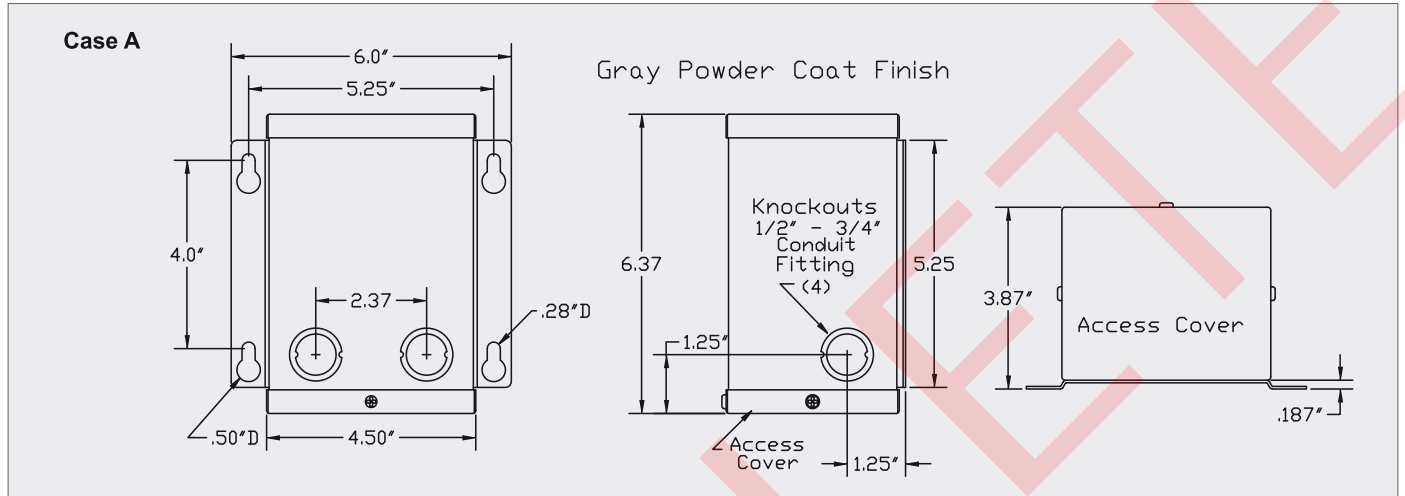
128 Atlantic Avenue, Lynbrook, NY 11563  
 Toll Free 866-239-5777 | Tel 516-239-5777 | Fax 516-239-7208  
 sales@signaltransformer.com | techhelp@signaltransformer.com

[belfuse.com/signal](http://belfuse.com/signal)

## Case Size Selection

When configured in buck or boost modes, the ICT transformer's maximum VA rating exceeds the VA rating listing for isolation mode. The maximum VA ratings are contingent on the actual configuration. Please consult Signal for specific application requirements.

Case Size	Isolation Mode	Buck Boost Mode
	VA (max)	
A	500	1000
B	1000	2000
C	1800	3600



Custom versions available upon request.



128 Atlantic Avenue, Lynbrook, NY 11563  
Toll Free 866-239-5777 | Tel 516-239-5777 | Fax 516-239-7208  
sales@signaltransformer.com | techhelp@signaltransformer.com

[belfuse.com/signal](http://belfuse.com/signal)