

LFR 215 SERIES LED Replacement Lamps



FEATURES AND BENEFITS

- Direct replacement for T3 1/4 BA9s based lamps.
- Wide viewing angle of 120° provides even illumination.
- High reliability with 100K hours MTBF.
- Illuminated colors available in red, yellow, blue, green, warm white and cool white.
- Wide input range (110VAC - 230VAC).

APPLICATIONS

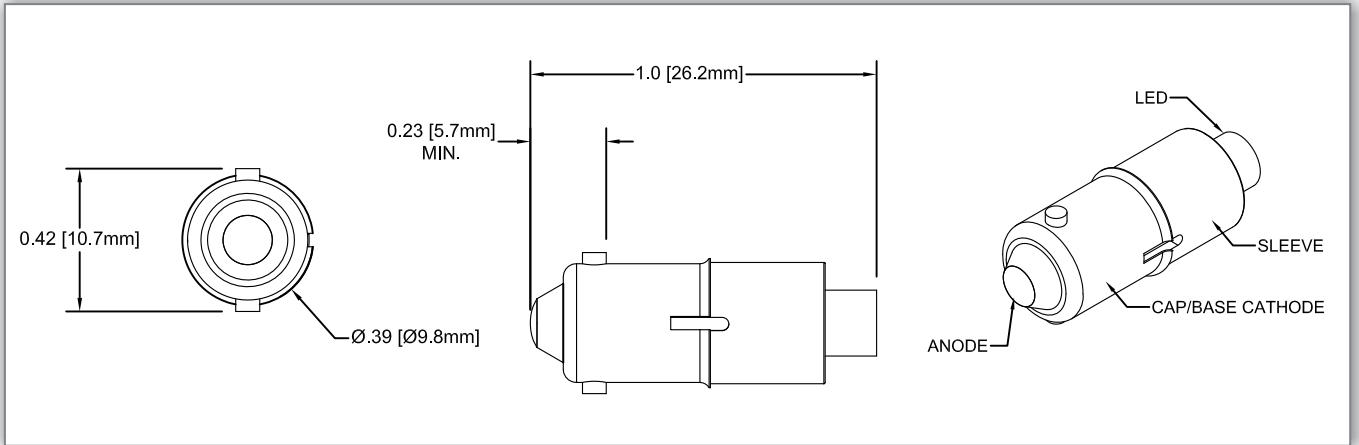
- General purpose indicators
- Push button switches
- Pilot lights
- Selector switches
- Panel indicators

| Part Number | Wave Length | Emitted Color | Lens Appearance | Operating Voltage | Current AC | Iv | Viewing Angle |
|-----------------|------------------------------------|---------------|-----------------|-------------------|------------|---------|---------------|
| LFR-215R230VAC | 660 nm | Red | Water Clear | 230 VAC | 2.0 mA | 25 mcd | 120° |
| LFR-215R125VAC | 660 nm | Red | Water Clear | 125 VAC | 3.0 mA | 25 mcd | 120° |
| LFR-215Y230VAC | 595 nm | Yellow | Water Clear | 230 VAC | 2.0 mA | 60 mcd | 120° |
| LFR-215Y130VAC | 595 nm | Yellow | Water Clear | 130 VAC | 6.3 mA | 60 mcd | 120° |
| LFR-215B110VAC | 470 nm | Blue | Water Clear | 110 VAC | 3.5 mA | 150 mcd | 120° |
| LFR-215G230VAC | 525 nm | Green | Water Clear | 230 VAC | 2.0 mA | 50 mcd | 120° |
| LFR-215G125VAC | 525 nm | Green | Water Clear | 125 VAC | 3.0 mA | 50 mcd | 120° |
| Part Number | Chromaticity Coordinates | Emitted Color | Lens Appearance | Operating Voltage | Current AC | Iv | Viewing Angle |
| LFR-215WW230VAC | X=0.4255~0.4680 Y=0.4000~0.4385 | Warm White | Water Clear | 230 VAC | 2.0 mA | 340 mcd | 120° |
| LFR-215WW130VAC | X=0.4255~0.4680 Y=0.4000~0.4385 | Warm White | Water Clear | 130 VAC | 3.0 mA | 340 mcd | 120° |
| LFR-215CW230VAC | X=0.3028~0.3376 Y=0.3113~0.3616 | Cool White | Water Clear | 230 VAC | 2.0 mA | 440 mcd | 120° |
| LFR-215CW125VAC | X=0.3028~0.3376 Y=0.3113~0.3616 | Cool White | Water Clear | 125 VAC | 3.0 mA | 440 mcd | 120° |

ORDERING INFORMATION

| Product Group | Series | Emitted Color | Operating Voltage | Example |
|---------------|--------|--|-------------------|----------------|
| LFR | 2XX | Red, Yellow, Green, Blue, Warm White, Cool White | 110VAC - 230VAC | LFR-215R230VAC |

SPECIFICATIONS



DERATING CURVES

