

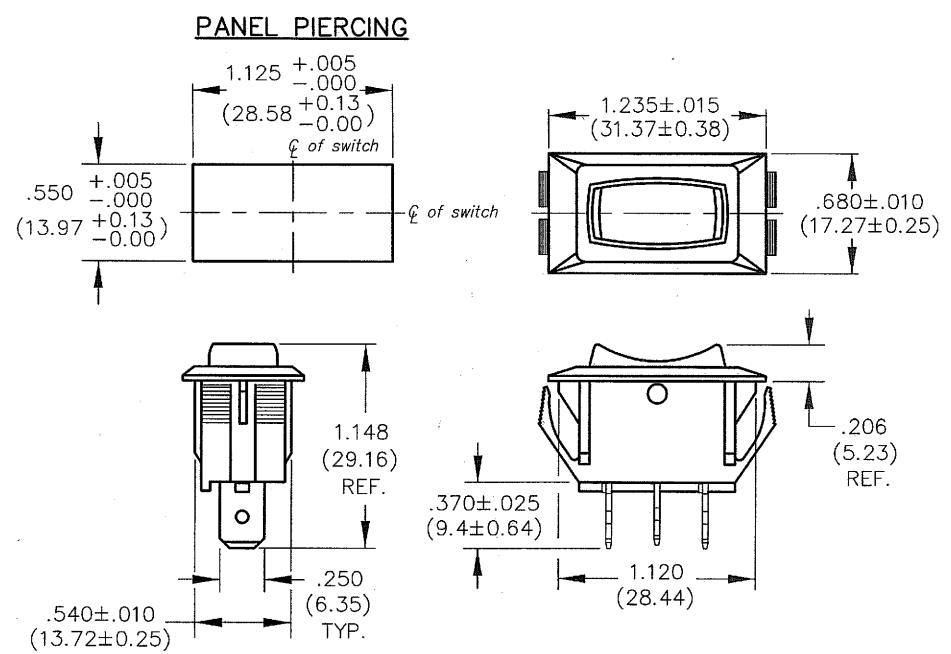
E
 D
 C
 B
 A

THIS INFORMATION IS CONFIDENTIAL AND PROPRIETARY TO CW INDUSTRIES INCORPORATED AND ITS AFFILIATES. IT MAY NOT BE DISCLOSED TO ANYONE OTHER THAN CW INDUSTRIES PERSONNEL, WITHOUT WRITTEN AUTHORIZATION FROM CW INDUSTRIES INCORPORATED, SOUTHAMPTON, PENNSYLVANIA USA.

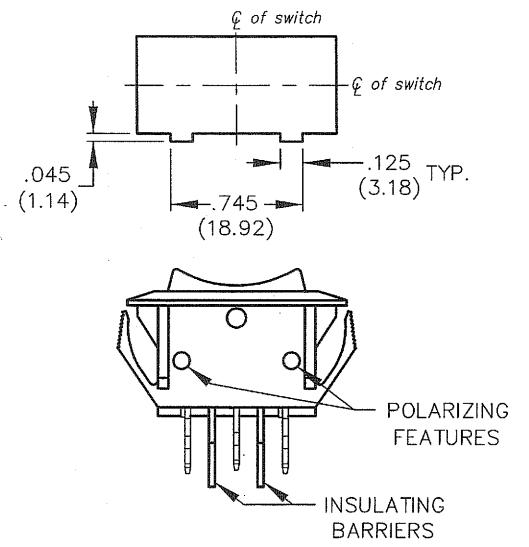
DIMENSIONS IN INCHES (MILLIMETERS)
 DO NOT SCALE DRAWING
 Dwg. No. **GRS-2013A-2XXX**

PANEL THICKNESS
 .025" to .180"
 (0.64mm to 4.57mm)

OPTIONS:



POLARIZED PANEL PIERCING



TERMINAL OPTIONS:

.250" Wide Terminal is standard as Shown in drawing.
 .187" Wide Terminal is optional.

1	2	3	4	5	6	7	8	9	10
REVISIONS RELEASED: DGW 06/25/2010									

PDF FILE MADE	CW INDUSTRIES Southampton, Pa. 18966	Title: CENTER OFF ROCKER SWITCH ASSEMBLY
	TOLERANCES UNLESS OTHERWISE SPECIFIED	S.P.D.T. WITH OPTIONS
	2 Place Decimal ±.010 METRIC 3 Place Decimal ±.005 1 Place Dec. ±.25mm Angles ±1' 2 Place Dec. ±.13mm	1.125 x .550 PANEL
	Made for: CW IND. Drawn by: DGW 7-27-2010 Checked by: <i>G. Guld 8-16-10</i> Approval: <i>Edward P. Paul 8-18-10</i>	Division: SWITCH
		Dwg. No. GRS-2013A-2XXX

MASTER