

M9105

SHAFT SYSTEM WITH MAGNET FOR ACW / TCW RANGE

The 8810/013 Rare Earth Magnet allows users to build their own magnet holder assembly for use with ACW4 and TCW4 sensors. The Magnet Holder System simplifies the installation of the magnet. Available versions include front mount, female and male magnet supports in various sizes.



Features

The M9105 series of magnet holders are designed to make mounting and alignment of the magnet to its sensor assembly easy to accomplish. They are especially well-suited for use with the following sensors:

- ACW absolute single-turn,
- TCW absolute multi-turn,

For more detailed information on each of these sensors refer to their specific data sheets.



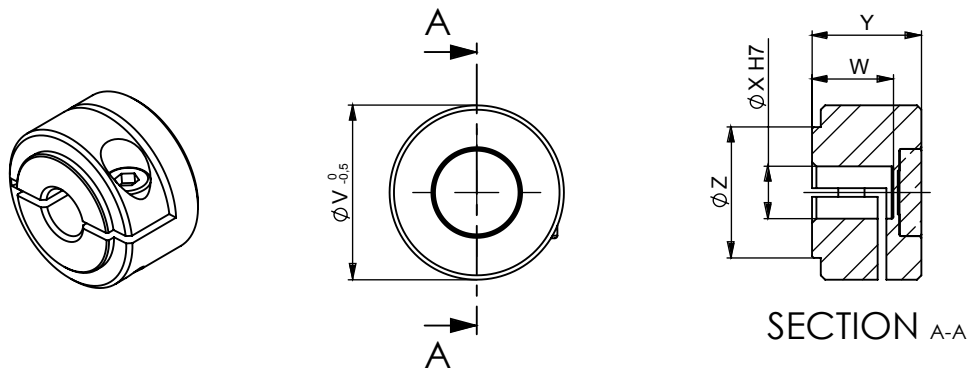
DIMENSIONS

M9105/KXX (ALUMINUM)

KXX: Where XX is the shaft mounting diameter in mm. Standards are 06, 08, 10, 11, and 14 mm. i.e M9105/K10 mounts to a 10 mm shaft.

Female Magnet Support + Magnet 8810/013

Ordering reference: **M9105/Kxx**

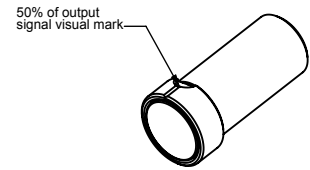
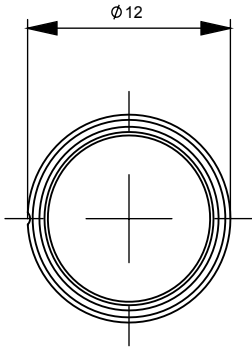


	M9105/K06	M9105/K08	M9105/K10	M9105/K11	M9105/K14
W	6 H7	8 H7	10 H7	11 H7	14 H7
X	20	20	26	26	29
Y	12,5	12,5	14	14	14
Z	15	15	15	15	18

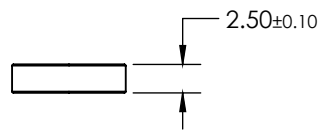
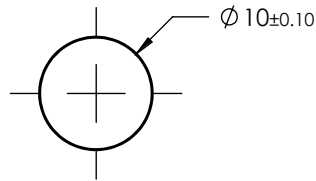
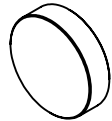
Frontal magnet support + Magnet 8810/013
 Ordering p/n : **M9105/F26**



Male magnet support + Magnet 8810/013
 Ordering p/n : **M9105/M10-01**



Magnet
 Ordering p/n : **8810/013**





ADAPTED SHAFT SYSTEM

Customizing sensors for your application is our specialty. While integrating a sensor solution in the development phase, don't hesitate to contact us with your design ideas. Our engineering expertise means we know how to integrate sensors for an ideal solution. We can provide everything from prototypes, with 3D drawings and assembly instruction all the way to more integrated solutions consisting of completed subassemblies ready for installation. You get an optimized design integrated into your manufacturing process.



AGENCY APPROVALS & CERTIFICATIONS



Sensata Technologies, Inc. ("Sensata") data sheets are solely intended to assist designers ("Buyers") who are developing systems that incorporate Sensata products (also referred to herein as "components"). Buyer understands and agrees that Buyer remains responsible for using its independent analysis, evaluation and judgment in designing Buyer's systems and products. Sensata data sheets have been created using standard laboratory conditions and engineering practices. Sensata has not conducted any testing other than that specifically described in the published documentation for a particular data sheet. Sensata may make corrections, enhancements, improvements and other changes to its data sheets or components without notice.

Buyers are authorized to use Sensata data sheets with the Sensata component(s) identified in each particular data sheet. HOWEVER, NO OTHER LICENSE, EXPRESS OR IMPLIED, BY ESTOPPEL OR OTHERWISE TO ANY OTHER SENSATA INTELLECTUAL PROPERTY RIGHT, AND NO LICENSE TO ANY THIRD PARTY TECHNOLOGY OR INTELLECTUAL PROPERTY RIGHT, IS GRANTED HEREIN. SENSATA DATA SHEETS ARE PROVIDED "AS IS". SENSATA MAKES NO WARRANTIES OR REPRESENTATIONS WITH REGARD TO THE DATA SHEETS OR USE OF THE DATA SHEETS, EXPRESS, IMPLIED OR STATUTORY, INCLUDING ACCURACY OR COMPLETENESS. SENSATA DISCLAIMS ANY WARRANTY OF TITLE AND ANY IMPLIED WARRANTIES OF MERCHANTABILITY, FITNESS FOR A PARTICULAR PURPOSE, QUIET ENJOYMENT, QUIET POSSESSION, AND NON-INFRINGEMENT OF ANY THIRD PARTY INTELLECTUAL PROPERTY RIGHTS WITH REGARD TO SENSATA DATA SHEETS OR USE THEREOF.

All products are sold subject to Sensata's terms and conditions of sale supplied at www.sensata.com SENSATA ASSUMES NO LIABILITY FOR APPLICATIONS ASSISTANCE OR THE DESIGN OF BUYERS' PRODUCTS. BUYER ACKNOWLEDGES AND AGREES THAT IT IS SOLELY RESPONSIBLE FOR COMPLIANCE WITH ALL LEGAL, REGULATORY AND SAFETY-RELATED REQUIREMENTS CONCERNING ITS PRODUCTS, AND ANY USE OF SENSATA COMPONENTS IN ITS APPLICATIONS, NOTWITHSTANDING ANY APPLICATIONS-RELATED INFORMATION OR SUPPORT THAT MAY BE PROVIDED BY SENSATA.

Mailing Address: Sensata Technologies, Inc., 529 Pleasant Street, Attleboro, MA 02703, USA.

CONTACT US

Americas

+1 (800) 350 2727 – Option 1
sales.beisensors@sensata.com

Europe, Middle East & Africa

+33 (3) 88 20 8080
position-info.eu@sensata.com

Asia Pacific

sales.isasia@list.sensata.com
China +86 (21) 2306 1500
Japan +81 (45) 277 7117
Korea +82 (31) 601 2004
India +91 (80) 67920890
Rest of Asia +886 (2) 27602006
ext 2808