

<b>PROPRIETARY INFORMATION:</b> PROPRIETARY OF GLOBTEK, INC. ANY REPRODUCTION, DISCLOSURE OR USE OF THIS DRAWING, IN WHOLE OR IN PART, IS HEREBY PROHIBITED EXCEPT AS SPECIFIED IN WRITING BY GLOBTEK, INC.	REVISION			
	REV	DESCRIPTION	DATE	APPROVED
	A	INITIAL RELEASE, RFS.14088, JS	07/10/08	HM
	B	UPDATE LABEL, RFS. 14594, JS	09/23/08	HM
	C	ADD NOTE PSE TEST RECORD REQUIRED, RFS. 20070, JS	12/03/10	HM



**PSE TEST RECORD REQUIRED**

**1. NOTES:**

DIMENSIONS ARE IN MM UNLESS SPECIFIED OTHERWISE.



**2. ELECTRICAL SPECIFICATIONS:**

**INPUT VOLTAGE:** 90 VAC TO 264 VAC  
**INPUT CURRENT:** < 1.5 A RMS AT 115 VAC INPUT  
**INPUT FREQUENCY:** 47 HZ - 63 HZ  
**OUTPUT VOLTAGE :** 18 VDC  
**OUTPUT CURRENT :** 3.3 A, NO MINIMUM LOAD REQUIRED TO MAINTAIN OUTPUT VOLTAGE REGULATION  
**OUTPUT POWER (RATED):** 60 WATTS MAXIMUM  
**OUTPUT RIPPLE (PEAK TO PEAK):** +/-1% OR 50 mV WHICHEVER IS GREATER OF NOMINAL OUTPUT VOLTAGE. MEASURED AT 20 MHz BANDWIDTH WITH 0.1µf CERAMIC CAPACITOR IN PARALLEL WITH 10 µf ELECTROLYTIC CAPACITOR CONNECTED AT THE END OF THE OUTPUT CONNECTOR.  
**OUTPUT LOAD REGULATION:** ± 5 % OF NOMINAL OUTPUT VOLTAGE, MEASURED AT O/P CONNECTOR  
**LINE REGULATION:** ± 2 % MAX AT FULL LOAD  
**TURN ON/ TURN OFF OVERSHOOT:** 5% MAX 500µS RECOVERY TIME FOR 25% STEP LOAD  
**TURN-ON DELAY:** 2 SEC MAX  
**HOLD-UP TIME:** 8 mSEC MIN AT 120 VAC, INPUT AND FULL LOAD  
**INRUSH CURRENT:** 40 A MAX AT COLD START AT 120VAC AND 60A AT 230VAC  
**EFFICIENCY:** 84 % TYPICAL AT FULL LOAD  
**SWITCHING FREQUENCY:** 100 KHZ TYPICAL  
**OVER-VOLTAGE PROTECTION:** PROTECTED, UNIT WILL AUTORECOVER UPON REMOVAL OF FAULT  
**OVER-CURRENT / SHORT CIRCUIT:** PROTECTED, UNIT WILL AUTORECOVER UPON REMOVAL OF FAULT  
**OTHER PROTECTION:** INPUT FUSING  
**SAFETY APPROVALS :** UL60950-1, CUL TO 22.2# 60950-1, DEMKO TO EN 60950-1, CE, CLASS I, C-TICK TO AS/NZ 60950-1, CCC TO GB4943-2001,GB9254-1998, GB17625.1-2003, PSE TO J60950, CB REPORT  
**DIELECTRIC WITHSTAND VOLTAGE:** 4242 VDC PRIMARY-SECONDARY  
**LEAKAGE CURRENT:** ≤ 3.5 mA AT 240 VAC  
**EMI:** COMPLIES WITH EN55022 , CLASS B AND FCC PART 15 CLASS B WHEN TESTED WITH A RESISTIVE LOAD, BOTH CONDUCTED AND RADIATED EMI, TUV 'EMC' MARK, VCCI TESTED TO COMPLY W/RADIO TELECOMMUNICATION ACT OF 1992.  
**C-TICK:** COMPLIES TO SECTION 301 OF ENERGY INDEPENDENCE AND SECURITY ACT (EISA)  
**EFFICIENCY:** COMPLIES WITH ENERGY STAR TIER 2 (NORTH AMERICA), CECP TIER 2 (CHINA), MEPS TIER 2 (AUSTRALIA), CODE OF CONDUCT (EUROPE)  
**CE MARK:** TESTED TO COMPLY WITH EN55022, EN61000-3-2 EN55024, INCLUDING EN61000-4-2, EN61000-4-3, EN61000-4-4, EN61000-4-5, EN61000-4-6, EN61000-4-11.  
**MTBF:** 200,000 HOURS AT 25°C AMBIENT TEMPERATURE  
**OPERATING TEMPERATURE:** 0°C TO 40° C  
**STORAGE TEMPERATURE:** -40°C TO 80° C  
**HUMIDITY:** 5% TO 95% RELATIVE HUMIDITY  
**WEIGHT:** 250 g  
**ROHS:** COMPLIES WITH EU 2002/95/EC AND CHINA SJ/T 11363-2006

Foot Note: Globtek Inc. will not be liable for the safety and performance of these power supplies if unauthorized access and repair occurs. End user should consult applicable UL, CSA or EN standards for proper installation instructions	DASH NO.	PART NO	REV.	DESCRIPTION	NOTES	
	<b>TABULATION BLOCK</b>					
			<b>TOLERANCES:</b> DECIMALS ANGULAR .xx +/- 0.1 +/- 1° .xxx +/- .005		<b>186 Veterans Dr. Northvale, NJ 07647</b> <b>Tel. 201-784-1000 Fax 201.784.0111</b> <b>www.globtek.com</b>	
	INIT.BY: JS	DATE: 07/10/08	<b>MILLIMETERS ANGULAR</b> .xx +/- 0.3 +/- 1° .xxx +/- .013		DWG TITLE: SWITCHING POWER SUPPLY, 60 WATT, 18V@ 3.3A SINGLE OUTPUT, FAMILY DESKTOP, UNIVERSAL INPUT, ITE , ENERGY STAR	
DRAWN: NF	DATE: 07/10/08	FSCN No.: G, Y	SIZE A	MODEL NO: GT-81081-6018-T3	REV. C	
Contents of this document are subject to change without prior notice	APRVD : HM	DATE: 07/10/08	SCALE: NONE	PART NO: <b>TR9CH3333YL3-F(RZ)</b>	SHEET 1 OF 6	

**PROPRIETARY INFORMATION:**

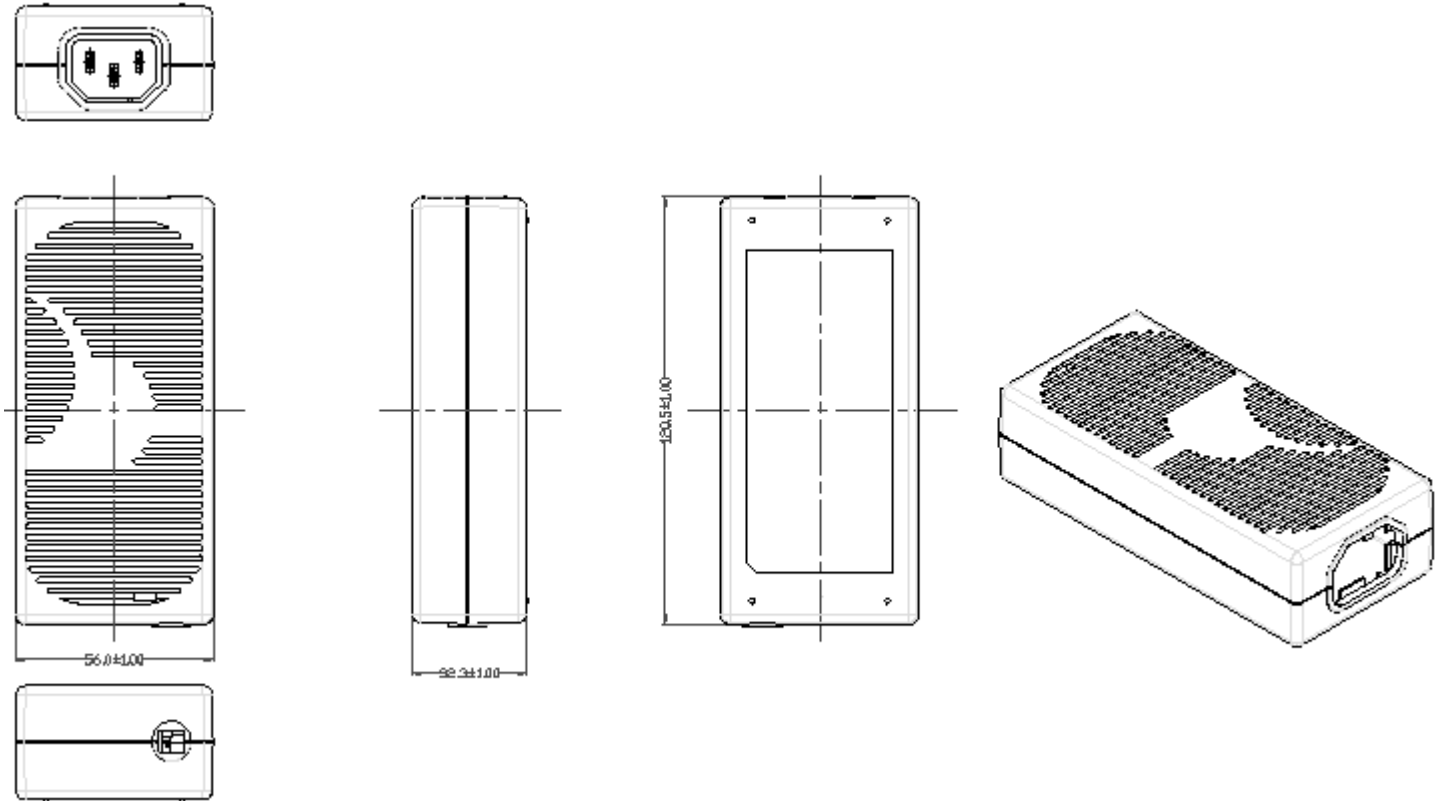
PROPRIETARY OF GLOBTEK, INC. ANY REPRODUCTION, DISCLOSURE OR USE OF THIS DRAWING, IN WHOLE OR IN PART, IS HEREBY PROHIBITED EXCEPT AS SPECIFIED IN WRITING BY GLOBTEK, INC.

**3. ENCLOSURE**

UPPER HOUSING: HIGH IMPACT PLASTIC, 94V0 POLYCARBONATE, NON-VENTED, COLOR BLACK

LOWER HOUSING: HIGH IMPACT PLASTIC 94V0 POLYCARBONATE, NON- VENTED, COLOR BLACK

SIZE: 120.5(L) x 56.0(W) x 32.3(H) ± 1 mm



**GlobTek, Inc.**  
www.globtek.com

186 Veterans Dr. Northvale, NJ 07647  
Tel. 201-784-1000 Fax 201.784.0111

DWG TITLE: SWITCHING POWER SUPPLY, 60 WATT, 18V@ 3.3A  
SINGLE OUTPUT, FAMILY DESKTOP, UNIVERSAL INPUT, ITE , ENERGY STAR

MODEL NO: GT-81081-6018-T3

REV.  
C

PART NO: TR9CH3333YL3-F(RZ)

SHEET 2 OF 6

**PROPRIETARY INFORMATION:**

PROPRIETARY OF GLOBTEK, INC. ANY REPRODUCTION, DISCLOSURE OR USE OF THIS DRAWING, IN WHOLE OR IN PART, IS HEREBY PROHIBITED EXCEPT AS SPECIFIED IN WRITING BY GLOBTEK, INC.

**4. INDICATOR:** GREEN LED, OUTPUT PRESENT

**5. INPUT CONNECTOR:**

CONFIGURATION: CLASS 1 MODEL: T3= IEC 60320 / C14, AC POWER RECEPTACLE WITH 3 MALE PRONGS

**6. OUTPUT CORD:**

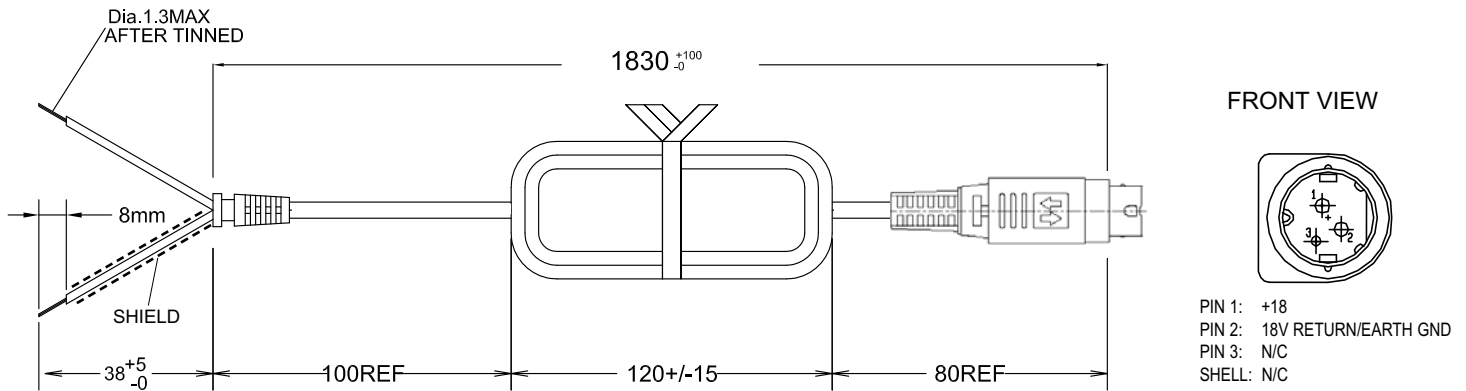
1 CONDUCTOR+SHIELD, 18 AWG STRANDED WIRE, ROUND # 1185 CORD TYPE, COLOR BLACK , LENGTH OF CORD: 1830 +100,-0 mm.

CORD IS MEASURED FROM THE HOUSING TO THE END OF OVERMOLD OF THE CONNECTOR.

CABLE IS TO BE MARKED WITH WIRE GAUGE, AND ALL APPLICABLE RATING AND SAFETY APPROVALS.

**OUTPUT CONNECTOR:**

KYCON TYPE KPP-3P LOCKING CONNECTOR OR EQUIVALENT:



**GlobTek, Inc.**  
www.globtek.com

186 Veterans Dr. Northvale, NJ 07647  
Tel. 201-784-1000 Fax 201.784.0111

DWG TITLE: SWITCHING POWER SUPPLY, 60 WATT, 18V@ 3.3A  
SINGLE OUTPUT, FAMILY DESKTOP, UNIVERSAL INPUT, ITE , ENERGY STAR

MODEL NO: GT-81081-6018-T3

REV.  
C

PART NO: TR9CH3333YL3-F(RZ)

SHEET 3 OF 6

**PROPRIETARY INFORMATION:**

PROPRIETARY OF GLOBTEK, INC. ANY REPRODUCTION, DISCLOSURE OR USE OF THIS DRAWING, IN WHOLE OR IN PART, IS HEREBY PROHIBITED EXCEPT AS SPECIFIED IN WRITING BY GLOBTEK, INC.

**8. LABEL:**

MATERIAL: .007 (0.18) THICK FLAT THERMAL TRANSFER, IMPRINTABLE, SILVER POLYESTER SHEET WITH BLACK NOMENCLATURE.

MANUFACTURER: STEVEN LABEL, MATERIAL I.D. NO.3302-33, UL FILE NO. MH12821(N), UL MATERIAL DESIGNATION FILE NO. GHW332RL. OPTIONAL LABEL MATERIAL CAN BE SUBSTITUTED PROVIDING MATERIAL IS UL LISTED AND COMPLEIS WITH APPLICABLE SAFETY REQUIREMENTS.

**CRESTRON** RoHS 30

P/N:PW-1830 RU

**ITE POWER SUPPLY(电源适配器)**

PART NO(料号):TR9CH3333YL3-F(RZ)  
 MODEL(型号): GT-81081-6018-T3  
 INPUT(输入):100-240V~1.5A 50/60Hz  
 OUTPUT(输出):+18V --- 3.3A  
 OUTPUT POWER(输出功率):60W MAX

**EFFICIENCY LEVEL:** IV 115V III

LEVEL 3  
 I.T.E POWER SUPPLY

LPS N4292

UL LISTED 6D44 E170507

CCC S&E

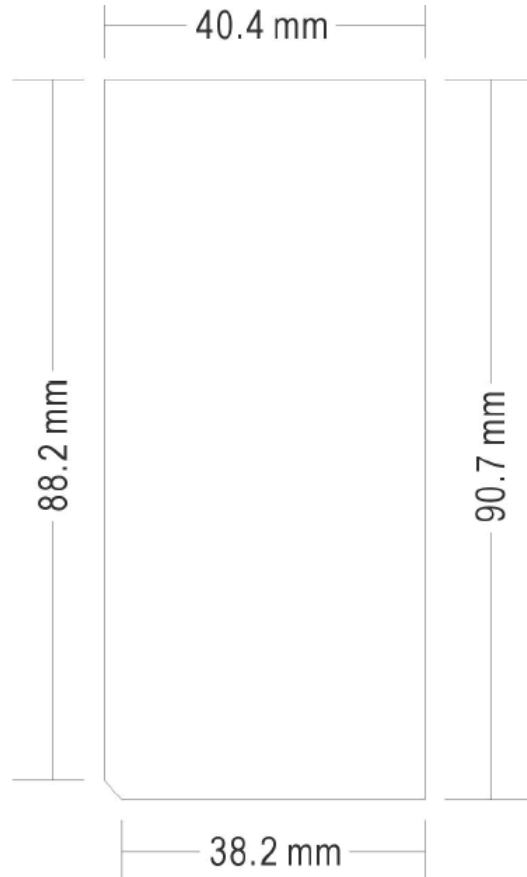
CRESTRON JAPAN KK

EMC INSPECTED GlobTek

GlobTek, Inc.

PIN 1: +18  
 PIN 2: 18V RETURN/EARTH GND  
 PIN 3: N/C  
 SHELL: N/C

MADE IN XXXX 中国制造



XXXX - USA OR CHINA

**ACTUAL POSITIONING OF SYMBOLS AND TEXT IS SUBJECT TO CHANGE AT TIME OF MANUFACTURE**

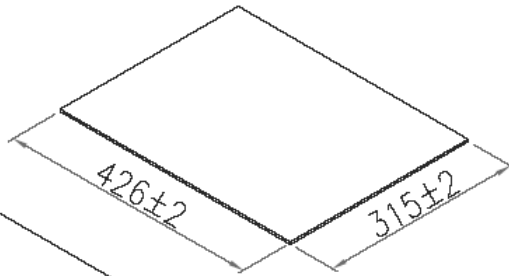
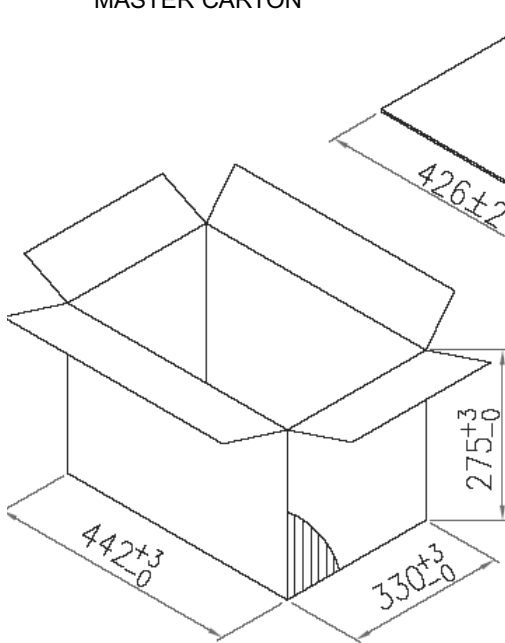
<b>GlobTek, Inc.</b> www.globtek.com		186 Veterans Dr. Northvale, NJ 07647 Tel. 201-784-1000 Fax 201.784.0111
DWG TITLE: SWITCHING POWER SUPPLY, 60 WATT, 18V@ 3.3A SINGLE OUTPUT, FAMILY DESKTOP, UNIVERSAL INPUT, ITE , ENERGY STAR		
MODEL NO:	GT-81081-6018-T3	REV. C
PART NO:	TR9CH3333YL3-F(RZ)	SHEET 4 OF 6

**PROPRIETARY INFORMATION:**

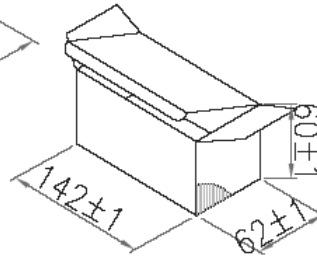
PROPRIETARY OF GLOBTEK, INC. ANY REPRODUCTION, DISCLOSURE OR USE OF THIS DRAWING, IN WHOLE OR IN PART, IS HEREBY PROHIBITED EXCEPT AS SPECIFIED IN WRITING BY GLOBTEK, INC.

**9. PACKING:**

MASTER CARTON



INDIVIDUAL BOX



60 PCS /CARTON

China RoHS SELF DISCLOSURE TABLE

有毒有害物质或元素名称及含量标准形式 Name and concentration of hazardous substance or element in product						
零件名 Name of part	剧毒有害物质或元素 Hazardous substance or element					
	铅 Pb	汞 Hg	镉 Cd	六价铬 Cr(VI)	多溴联苯 PBB	多溴二苯醚 PBDE
连接器 COPPER CONNECTOR	X	O	O	O	O	O
输入插座铜片 COPPER PIN	X	O	O	O	O	O
陶瓷 CERAMIC	X	O	O	O	O	O
电路板上的锡点 SOLDER POINT ON CIRCUIT	X	O	O	O	O	O
二极管和三极管中的锡点 SOLDER POINTS ON DIODE AND TRIODE	X	O	O	O	O	O
O: 表示该有毒有害物质在这部件中所有同质材料中的含量均在SJ/T 11363-2006规定的限量要求以下。 O: refers to the concentration of this hazard substance in the all homogenous materials in this part is below the concentration limit as stipulated in the standard SJ/T 11363-2006.						
X: 表示该有毒有害物质至少在这部件中的某一同质材料中的含量超出 SJ/T 11363-2006规定的限量要求。 X: refers to the concentration of this hazard substance at least in a homogenous material is higher than the concentration limit as stipulated in the standard SJ/T 11363-2006.						

**GlobTek, Inc.**  
www.globtek.com

186 Veterans Dr. Northvale, NJ 07647  
Tel. 201-784-1000 Fax 201.784.0111

DWG TITLE: SWITCHING POWER SUPPLY, 60 WATT, 18V@ 3.3A  
SINGLE OUTPUT, FAMILY DESKTOP, UNIVERSAL INPUT, ITE , ENERGY STAR

MODEL NO: GT-81081-6018-T3

REV.  
C

PART NO: TR9CH3333YL3-F(RZ)

SHEET 5 OF 6

**PROPRIETARY INFORMATION:**

PROPRIETARY OF GLOBTEK, INC. ANY REPRODUCTION, DISCLOSURE OR USE OF THIS DRAWING, IN WHOLE OR IN PART, IS HEREBY PROHIBITED EXCEPT AS SPECIFIED IN WRITING BY GLOBTEK, INC.



# GlobTek® (Shanghai) Co., Ltd

医疗、军工、资讯、车载、特种电源

ISO 9001:2000  
REGISTERED

PSE Products Inspection Record

PART#: TR9CH3333YL3-F(RZ)	L/R#:
---------------------------	-------

Name of Electrical Appliances: DC Power Supply
Model Name: GT-81081-6018-T3
Classification: Refer to Appendix A
Construction, Material and Performance: Refer to Appendix A
Date/Month/Year of the Test:
Place of the Test: GlobTek China QA Dept.
Test conducted by: GlobTek China
Number of Electrical Appliances tested:
Serial Number:
Test Method: Chroma Automatic Test Equipment, Hi-Pot Tester

Test Result:		
Visible Inspection	Dielectric Strength I/P to O/P 4242VDC, 2sec I/P to GND 2121VDC, 2sec	Functioning Test
Pass except below mentioned	Pass except below mentioned	Pass except below mentioned
<input type="text"/> pcs - PASS	<input type="text"/> pcs - PASS	<input type="text"/> pcs - PASS
Serial No. of Failed products		
Nil	Nil	Nil
Nil	Nil	Nil
Nil	Nil	Nil

This record shall be kept for three years from the day test conducted.

Approved: \_\_\_\_\_

Hans Moritz, QA Manager

QCS-2006-R1, Test Report  
Medical, Rev 3,  
3/6/2008

亚太分部 GlobTek (Shanghai) Co., Ltd 电话 Tel: +86-21-6916-0055 传真 Fax: +86-21-6916-0422 www.globtek.cn  
 中国上海市嘉定区嘉安公路2085号2栋 邮编 201821 Bldg 2, 2085 Jia An Gong Lu, Jia ding, Shanghai, 201821, China

<b>GlobTek, Inc.</b> www.globtek.com	186 Veterans Dr. Northvale, NJ 07647 Tel. 201-784-1000 Fax 201.784.0111
	DWG TITLE: SWITCHING POWER SUPPLY, 60 WATT, 18V@ 3.3A SINGLE OUTPUT, FAMILY DESKTOP, UNIVERSAL INPUT, ITE , ENERGY STAR
MODEL NO: GT-81081-6018-T3	REV. C
PART NO: <b>TR9CH3333YL3-F(RZ)</b>	SHEET 6 OF 6