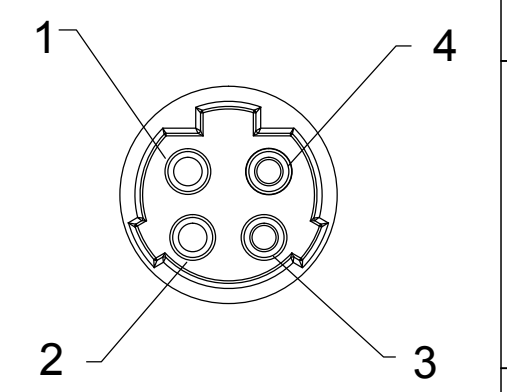
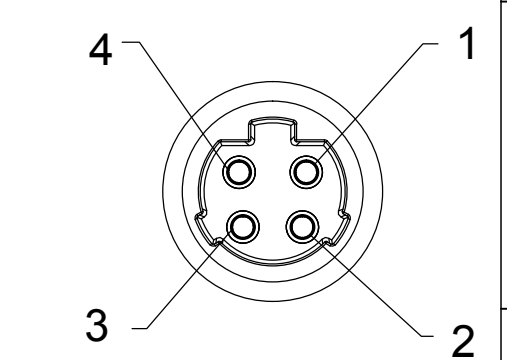
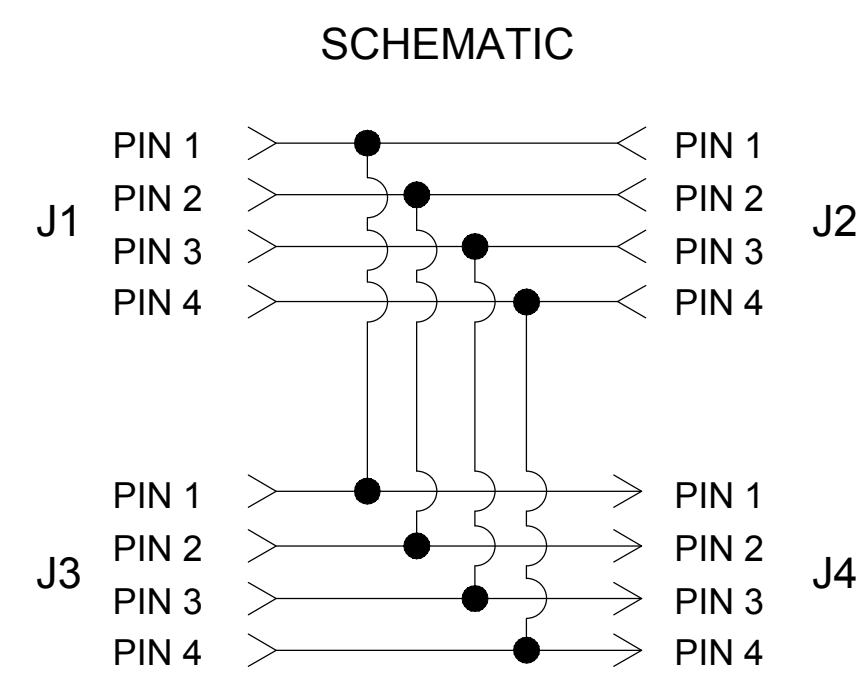
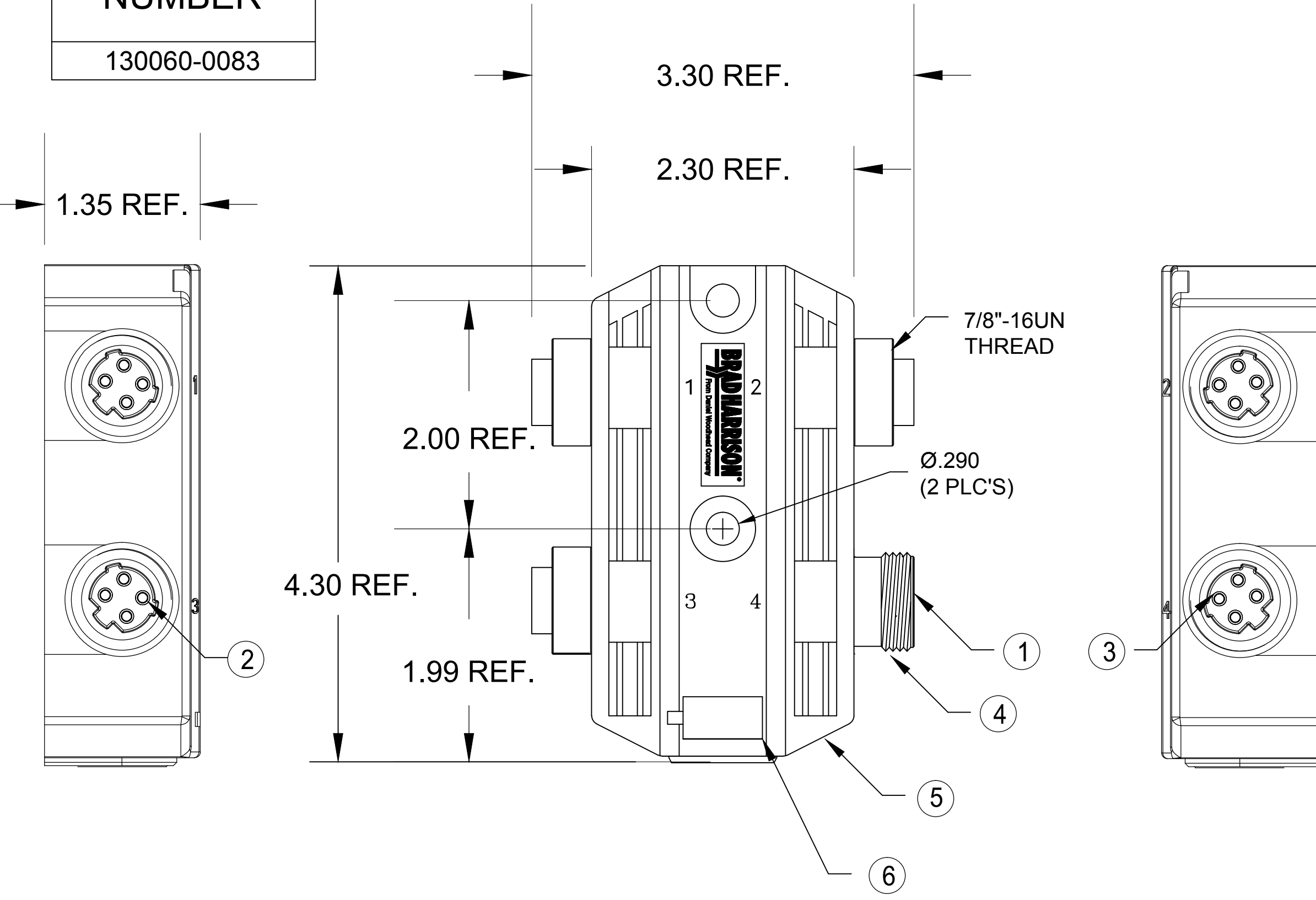


MATERIAL NUMBER
130060-0083



CUSTOMER PRODUCTION APPROVAL
APPROVED BY: _____
DATE: _____
MUST BE SIGNED AND RETURNED BEFORE
PRODUCTION WILL BEGIN.

VOLTAGE RATING	600 VAC/VDC
AMPERAGE RATING	15 AMPS
PROTECTION	IP67
OPERATING TEMPERATURE	0°C TO 60°C

SALES DRAWING

ITEM	COMPONENT	MATERIAL	FINISH
1	INSERT	PVC	BLACK
2	CONTACT SOCKET	COPPER ALLOY	GOLD OVER NICKEL
3	CONTACT PIN	COPPER ALLOY	GOLD OVER NICKEL
4	RECEPTACLE SHELL	ZINC DIE CAST	BLACK E-COATED
5	HOUSING	PBT	BLACK
6	LABEL	ABS	WHITE
	POTTING MATERIAL	EPOXY	BLACK

EC NO: IFCG2013-1470 DRWN: BWOODMAN 2013/04/02 CH'KD: KJOZWIK APPR: JFMURPHY 2013/04/25	QUALITY SYMBOL	GENERAL TOLERANCES (UNLESS SPECIFIED) 4 PLACES ±--- ±--- 3 PLACES ±--- ±--- 2 PLACES ±0.05 ±--- 1 PLACE ±0.10 ±--- ANGULAR ±.5°	DIMENSION STYLE	SCALE	DESIGN UNITS	THIRD ANGLE PROJECTION
	▽=0 ∇=0		INCH ONLY	NONE	INCH	

DRAWN BY DATE BWOODMAN 2013/04/01 CHECKED BY DATE KJOZWIK 2013/04/09 APPROVED BY DATE JFMURPHY 2013/04/25	TITLE	MC 2 PORT PASS-THRU MPIS ALT-KEY 14 AWG ---
MATERIAL NO.	DOCUMENT NO.	
1300600083	SD-130060-015	SHEET NO. 1 OF 1

SIZE C THIS DRAWING CONTAINS INFORMATION THAT IS PROPRIETARY TO MOLEX INCORPORATED AND SHOULD NOT BE USED WITHOUT WRITTEN PERMISSION