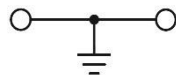
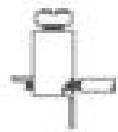


Part number: **10134280-001LF**



Screw ground terminal blocks - yellowgreen
 Screw connection - 6mm² / 8AWG - Width 8 mm



GENERAL DATA

Item	10134280
Weight/Piece	26.5 g
Colour	YellowGreen
Q.ty p.pck.	50

TECHNICAL DATA / DIMENSIONS

Dimensions

Width mm	8
Length mm	58
Height mm	44
Mounting type (EN 60715)	Omega TH35

Technical data

Maximum load current	-
Insulating material	PA66
Self-extinguishing degree acc. to UL94	V2
Rated surge voltage	6KV
Pollution degree	3
Surge voltage category	III
Insulating material group	I
Nominal Voltage	-
Nominal Current	-
Temperature index, insulating material – Elec. UL 746 B - RTI	130°C
Static insulating material lower permissible temperature	-60°C

Connection data

Conductor cross-section solid min/max	0.5 / 6 mm ²
Conductor cross-section stranded min/max	0.5 / 6 mm ²

AWG min/max	22-8 AWG
Max conductor cross-section stranded with ferrule with plastic sleeve	6 mm ² / L=12 mm
Stripping length	max 12 mm
Screw	M3.5 – Zinc plated steel
Tightening torque	0.8Nm / 10 Lb-In
Earth Screw	M3.5 – Zinc plated steel
Tightening torque	0.6Nm / 7 Lb-In
Clamp	Zinc plated steel
Metal part	Zinc plated steel

APPROVALS

RINA

EN60947-7-2

6mm²

EN60068-2-11

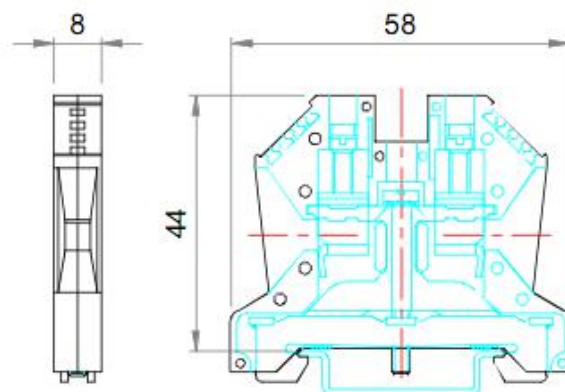
Salt mist test for 96 hours



UL1059

AWG 22-8

TECHNICAL DRAWINGS



ACCESSORIES

Marking

Item	Description
10134398-001LF	Single-digit marking tag (5 x 3 mm) - white
10134398-002LF ~ 10134398-011LF	Single-digit marking tag (5 x 3 mm) – with marking: 0 ~ 9
10134398-012LF ~ 10134398-041LF	Single-digit marking tag (5 x 3 mm) – with marking: A ~ Z
10134401-001LF	Marking tags (6 x 12 mm) - white (<i>special marking on request</i>)

DIN RAIL system - Mounting and Installation material

Item	Description
10134389-001LF	End bracket width 9
10134390-001LF	End bracket width 6
10134391-001LF	Snap-on end bracket width 6