

Customer Information Sheet

DRAWING No.: Z2055-00

IF IN DOUBT - ASK

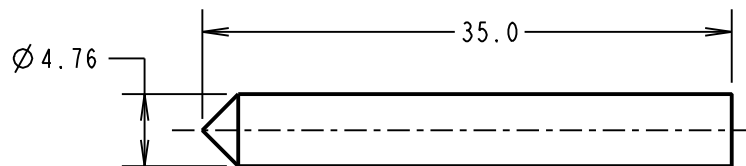


NOT TO SCALE

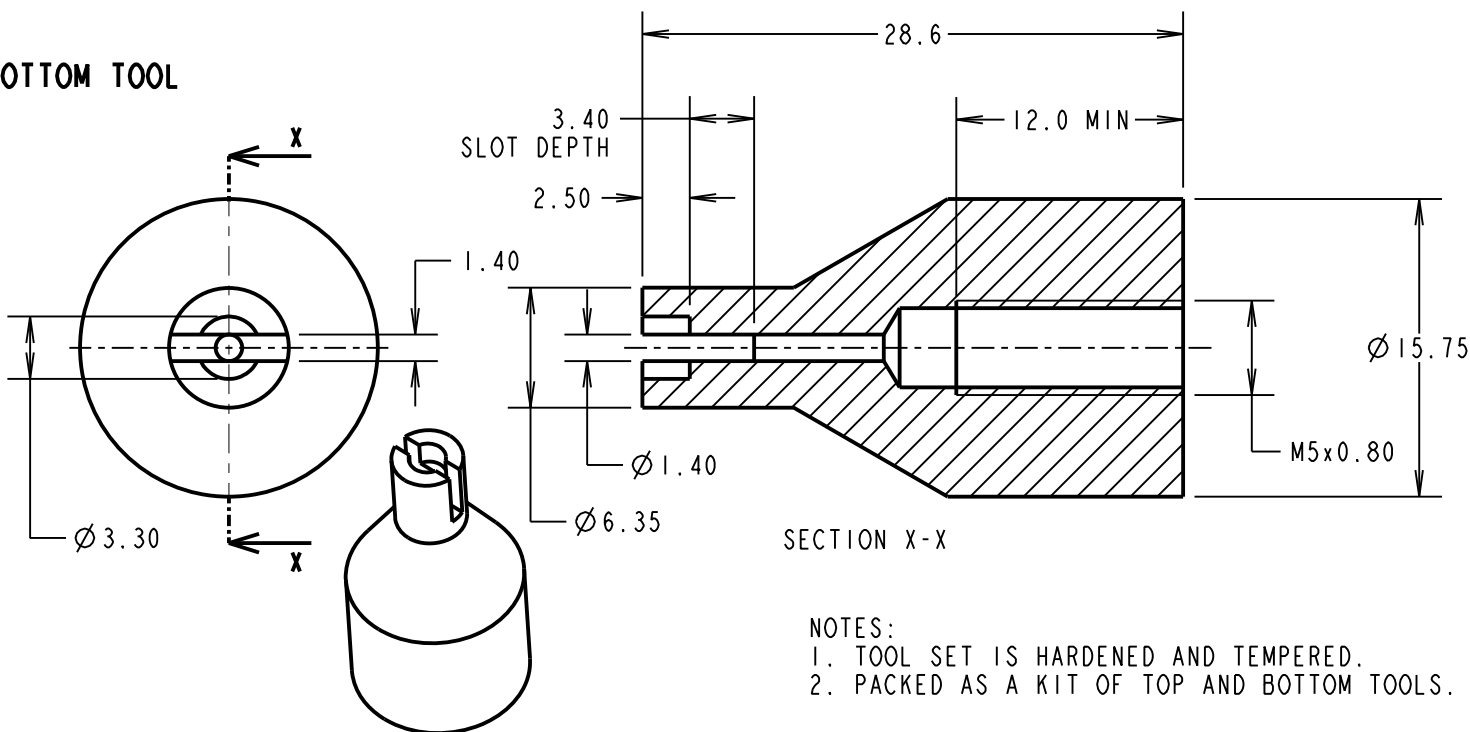
THIRD ANGLE PROJECTION

ALL DIMENSIONS IN mm

TOP TOOL

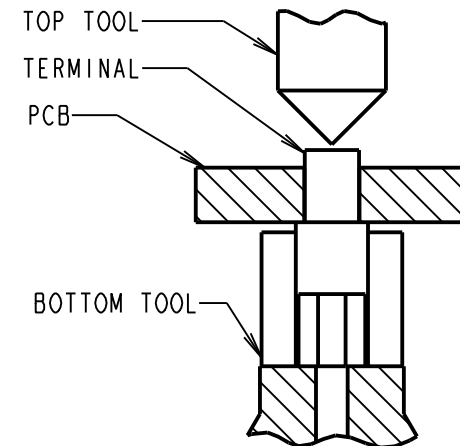


BOTTOM TOOL



- NOTES:
 1. TOOL SET IS HARDENED AND TEMPERED.
 2. PACKED AS A KIT OF TOP AND BOTTOM TOOLS.

APPLICATION DIAGRAM



MGP	5	21.05.20	22365
NAME	ISS.	DATE	C/NOTE
APPROVED: MGP			
CHECKED: RA			
DRAWN: R. ADDE			
CUSTOMER REF.:			
ASSEMBLY DRG:			

HARWIN

www.harwin.com
 technical@harwin.com

THIS DRAWING AND ANY INFORMATION OR DESCRIPTIVE MATTER SET OUT HEREON ARE CONFIDENTIAL AND COPYRIGHT PROPERTY OF THE HARWIN GROUP AND MUST NOT BE DISCLOSED, LOANED, COPIED OR USED FOR MANUFACTURING, TENDERING OR FOR ANY OTHER PURPOSE WITHOUT THEIR WRITTEN PERMISSION.

TOLERANCES
 X. = ±1mm
 X.X = ±0.50mm
 X.XX = ±0.20mm
 X.XXX = ±0.01mm
 ANGLES = ±5°
 UNLESS STATED

MATERIAL:
 SILVER STEEL
 FINISH: SEE NOTE 1
 S/AREA: mm²

TITLE:
 TOP AND BOTTOM TOOL SET
 DRAWING NUMBER:
Z2055-00

SHT
 2 OF 2