

LTC3336

15V/250mA Nanopower Buck DC/DC with Programmable Peak Input Current

DESCRIPTION

Demonstration circuit 2965A shows the [LTC®3336](#) 15V/250mA nanopower buck DC/DC with programmable peak input current operating with a configurable output voltage and peak current limit. The LTC3336 supports input voltages from 2.5V to 15V and a peak current up to 300mA with a typical quiescent current of 80nA. Output voltages are configurable from 1.2V to 5V.

The DC2965A demonstrates a simple layout for the highest power configuration of the LTC3336. The circuit can be reduced for lower I_{PEAK} levels.

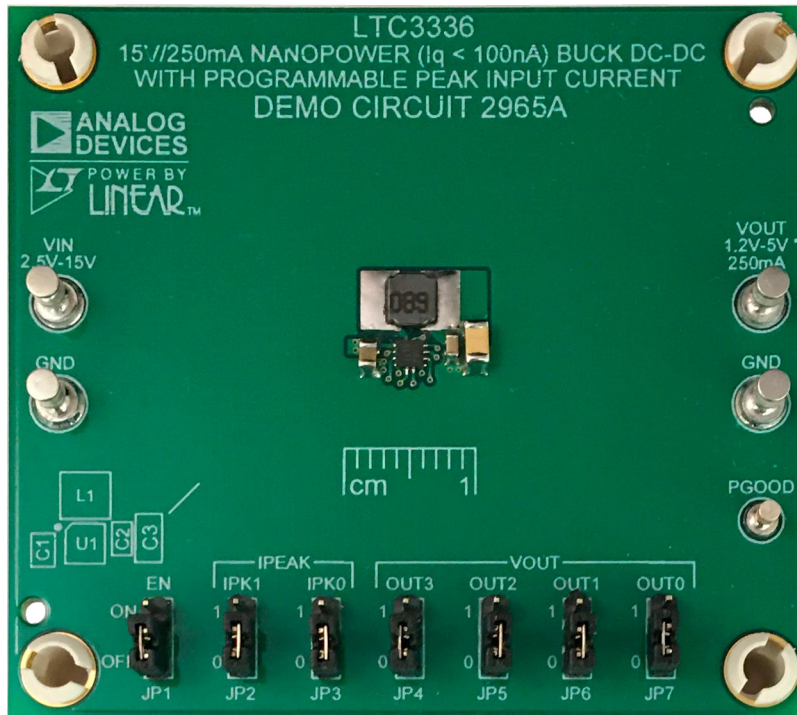
[Design files for this circuit board are available.](#)

All registered trademarks and trademarks are the property of their respective owners.

PERFORMANCE SUMMARY Specifications are at $T_A = 25^\circ\text{C}$

SYMBOL	PARAMETER	CONDITIONS	MIN	TYP	MAX	UNITS
V_{IN}	Input Voltage Range		2.5		15	V
V_{OUT}	Output Voltage Range		1.2		5	V
I_{OUT}	Output Current	I_{PK1} and $I_{PK0} = 1$			300	mA

BOARD PHOTO



DEMO MANUAL DC2965A

QUICK START PROCEDURE

Refer to Figure 1 for the proper measurement equipment setup and jumper settings. Please follow the procedure below to familiarize yourself with the DC2965A.

1. Configure the VOUT and IPEAK jumpers for your chosen voltage and peak current as shown in Table 1 and Table 2.
2. Enable PS1 and observe the voltage on VM1 (scope voltage). Observe the sawtooth waveform as the unloaded output slowly discharges and periodically wakes up.
3. Choose a load value for LD1 that is approximately half of the peak current chosen in step 1. This load can be a resistor or an electronic load.
4. Apply LD1 and observe the voltage on VM1. The period of the sawtooth waveform will increase significantly as the load to the output is increased. On a DC voltmeter, this will average to a DC value.
5. Put the EN jumper into the OFF position to disable the LTC3336.

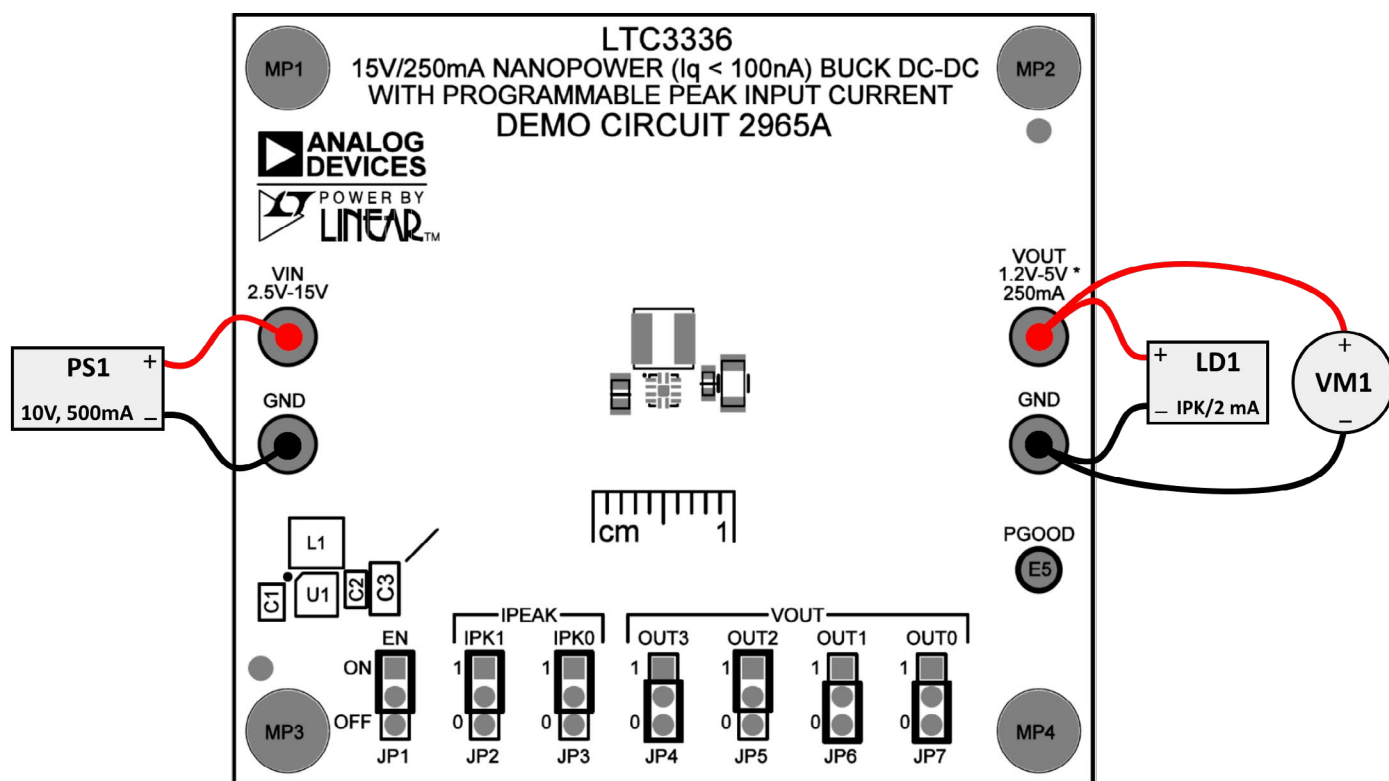


Figure 1. Quick Start Setup for the DC2965A Demo Circuit

CONFIGURING I_{PEAK} AND V_{OUT}

The peak current limit of the LTC3336 (I_{PEAK}) is configured by moving the JP2-JP3 shunts on the DC2965A demo board. The output voltage (V_{OUT}) can be configured using JP4-JP7.

Refer to Table 1 and Table 2 to configure these settings for your application. These tables are also shown on the back of the DC2965A PCB.

Table 1. IPEAK Configuration

JUMPER CONFIGURATION		I_{PEAK}
IPK1	IPK0	
0	0	10mA
0	1	30mA
1	0	100mA
1	1	300mA

Table 2. VOUT Configuration

JUMPER CONFIGURATION				V_{OUT}
OUT3	OUT2	OUT1	OUT0	
0	0	0	0	1.6V
0	0	0	1	1.2V
0	0	1	0	1.8V
0	0	1	1	1.5V
0	1	0	0	2.5V
0	1	0	1	2.4V
0	1	1	0	2.0V
0	1	1	1	2.8V
1	0	0	0	3.0V
1	0	0	1	3.3V
1	0	1	0	3.6V
1	0	1	1	3.7V
1	1	0	0	3.2V
1	1	0	1	4.1V
1	1	1	0	4.2V
1	1	1	1	5.0V

THEORY OF OPERATION

The LTC3336 is a compact high efficiency nanopower hysteretic buck DC/DC which can deliver up to 250mA of output current from a 2.5V to 15V input. As a hysteretic buck, the V_{OUT} voltage appears as a low- V_{P-P} sawtooth wave averaging the programmed V_{OUT} setting. See Figure 2. Operating in this way allows the LTC3336 to achieve its nanopower-level operating current with excellent efficiency.

The DC2965A demonstrates a simple LTC3336 application in a compact layout. The layout uses just one input capacitor and two output capacitors to allow operation in all possible configuration settings of the part. The capacitance and inductor size may be reduced for some configurations of the part. Refer to the data sheet for component requirement calculations.

THEORY OF OPERATION

The oversized inductor footprint allows users to test with their own inductors optimized for their own use cases. Larger inductors may be used for lower DCR in order to increase efficiency, or smaller inductor may be used to simply shrink the solution size.

Jumpers allow for custom configuration of the output voltage and peak current limit. Tables for these settings are shown on the back of the PCB for convenience. Jumpers should be installed at all times during operation in order to avoid floating inputs.

The EN jumper enables and disables the LTC3336.

The PGOOD turret gives access to the PGOOD signal which is high when the output is in regulation.

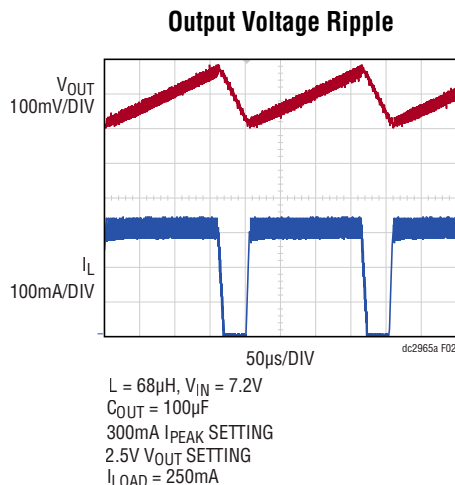
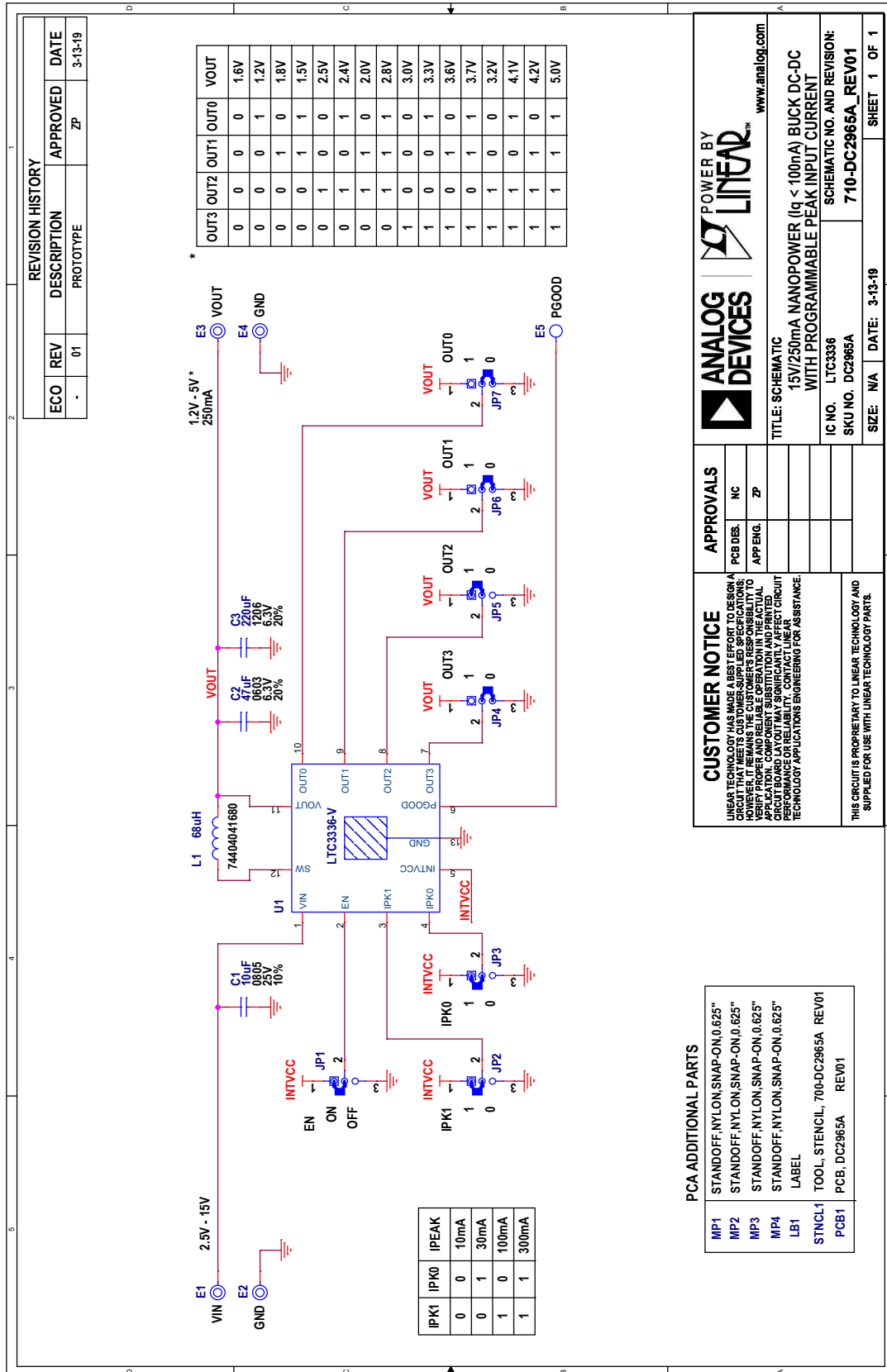


Figure 2. Output Voltage Ripple and Inductor Current

PARTS LIST

ITEM	QTY	REFERENCE	PART DESCRIPTION	MANUFACTURER/PART NUMBER
Required Circuit Components				
1	1	C1	CAP., 10µF, X5R, 25V, 10%, 0805	SAMSUNG CL21A106KAFN3NE MURATA GRM21BR61E106KA73L
2	1	C2	CAP., 47µF, X5R, 6.3V, 20%, 0603, NO SUBS. ALLOWED	MURATA GRM188R60J476ME15D
3	1	C3	CAP., 220µF, X5R, 6.3V, 20%, 1206	MURATA GRM31CR60J227ME11L
4	4	E1, E2, E3, E4	TEST POINT, TURRET, 0.094" MTG. HOLE, PCB 0.062" THICK	MILL-MAX 2501-2-00-80-00-00-07-0
5	1	E5	TEST POINT, TURRET, 0.064" MTG. HOLE, PCB 0.062" THICK	MILL-MAX 2308-2-00-80-00-00-07-0
6	7	JP1, JP2, JP3, JP4, JP5, JP6, JP7	CONN., HDR, MALE, 1x3, 2mm, VERT, STR, THT, NO SUBS. ALLOWED	WURTH ELEKTRONIK 62000311121
7	1	L1	FIXED IND 68µH 450MA 1.495Ω	WURTH ELECTRONICS INC. 74404041680
8	1	LB1	LABEL SPEC, DEMO BOARD SERIAL NUMBER	BRADY THT-96-717-10
9	4	MP1, MP2, MP3, MP4	STANDOFF, NYLON, SNAP-ON, 0.625"	KEYSTONE 8834
10	1	PCB1	PCB, DC2965A	PHASE 3 TECHNOLOGIES INC. 600-DC2965A
11	1	STNCL1	TOOL, STENCIL, 700-DC2965A	ANALOG DEVICES 830-DC2965A
12	7	XJP1, XJP2, XJP3, XJP4, XJP5, XJP6, XJP7	CONN., SHUNT, FEMALE, 2 POS, 2mm	WURTH ELEKTRONIK 60800213421
13	1	LTC3336-LQFN	15V/250mA NANOPOWER ($I_Q < 100\text{nA}$) BUCK DC-DC WITH PROGRAMMABLE PEAK INPUT CURRENT	ANALOG DEVICES

SCHEMATIC DIAGRAM



ANALOG DEVICES POWER BY **LINEAR**
www.analog.com

TITLE: SCHEMATIC
15V/250mA NANOPOWER (Iq < 100nA) BUCK DC-DC WITH PROGRAMMABLE PEAK INPUT CURRENT

IC NO. LTC3336 **SCHEMATIC NO. AND REVISION: 710-DC2965A_REV01**

SKU NO. DC2965A **SIZE: N/A** **DATE: 3-13-19** **SHEET 1 OF 1**

APPROVALS

PCB DES.	INC
APPENQ.	ZP

CUSTOMER NOTICE
LINEAR TECHNOLOGY ASSUMES NO LIABILITY FOR ANY REGIONAL CIRCUIT BOARD LAYOUTS THAT DO NOT MEET THE SPECIFICATIONS AND REQUIREMENTS OF THE CUSTOMER'S SUPPLIED SPECIFICATIONS. HOWEVER, IT REMAINS THE CUSTOMER'S RESPONSIBILITY TO VERIFY PROPER AND RELIABLE OPERATION IN THE ACTUAL CIRCUIT BOARD LAYOUT. ANY SIGNIFICANTLY AFFECTED CIRCUIT PERFORMANCE OR RELIABILITY, CONTACT LINEAR TECHNOLOGY APPLICATIONS ENGINEERING FOR ASSISTANCE.

THIS CIRCUIT IS PROPRIETARY TO LINEAR TECHNOLOGY AND SUPPLIED FOR USE WITH LINEAR TECHNOLOGY PARTS.

PCA ADDITIONAL PARTS

MP1	STANDOFF, NYLON, SNAP-ON, 0.625"
MP2	STANDOFF, NYLON, SNAP-ON, 0.625"
MP3	STANDOFF, NYLON, SNAP-ON, 0.625"
MP4	STANDOFF, NYLON, SNAP-ON, 0.625"
LB1	LABEL
STNCL1	TOOL, STENCIL, 700-DC2965A REV01
PCB1	PCB, DC2965A REV01



ESD Caution

ESD (electrostatic discharge) sensitive device. Charged devices and circuit boards can discharge without detection. Although this product features patented or proprietary protection circuitry, damage may occur on devices subjected to high energy ESD. Therefore, proper ESD precautions should be taken to avoid performance degradation or loss of functionality.

Legal Terms and Conditions

By using the evaluation board discussed herein (together with any tools, components documentation or support materials, the "Evaluation Board"), you are agreeing to be bound by the terms and conditions set forth below ("Agreement") unless you have purchased the Evaluation Board, in which case the Analog Devices Standard Terms and Conditions of Sale shall govern. Do not use the Evaluation Board until you have read and agreed to the Agreement. Your use of the Evaluation Board shall signify your acceptance of the Agreement. This Agreement is made by and between you ("Customer") and Analog Devices, Inc. ("ADI"), with its principal place of business at One Technology Way, Norwood, MA 02062, USA. Subject to the terms and conditions of the Agreement, ADI hereby grants to Customer a free, limited, personal, temporary, non-exclusive, non-sublicensable, non-transferable license to use the Evaluation Board FOR EVALUATION PURPOSES ONLY. Customer understands and agrees that the Evaluation Board is provided for the sole and exclusive purpose referenced above, and agrees not to use the Evaluation Board for any other purpose. Furthermore, the license granted is expressly made subject to the following additional limitations: Customer shall not (i) rent, lease, display, sell, transfer, assign, sublicense, or distribute the Evaluation Board; and (ii) permit any Third Party to access the Evaluation Board. As used herein, the term "Third Party" includes any entity other than ADI, Customer, their employees, affiliates and in-house consultants. The Evaluation Board is NOT sold to Customer; all rights not expressly granted herein, including ownership of the Evaluation Board, are reserved by ADI. CONFIDENTIALITY. This Agreement and the Evaluation Board shall all be considered the confidential and proprietary information of ADI. Customer may not disclose or transfer any portion of the Evaluation Board to any other party for any reason. Upon discontinuation of use of the Evaluation Board or termination of this Agreement, Customer agrees to promptly return the Evaluation Board to ADI. ADDITIONAL RESTRICTIONS. Customer may not disassemble, decompile or reverse engineer chips on the Evaluation Board. Customer shall inform ADI of any occurred damages or any modifications or alterations it makes to the Evaluation Board, including but not limited to soldering or any other activity that affects the material content of the Evaluation Board. Modifications to the Evaluation Board must comply with applicable law, including but not limited to the RoHS Directive. TERMINATION. ADI may terminate this Agreement at any time upon giving written notice to Customer. Customer agrees to return to ADI the Evaluation Board at that time. LIMITATION OF LIABILITY. THE EVALUATION BOARD PROVIDED HEREUNDER IS PROVIDED "AS IS" AND ADI MAKES NO WARRANTIES OR REPRESENTATIONS OF ANY KIND WITH RESPECT TO IT. ADI SPECIFICALLY DISCLAIMS ANY REPRESENTATIONS, ENDORSEMENTS, GUARANTEES, OR WARRANTIES, EXPRESS OR IMPLIED, RELATED TO THE EVALUATION BOARD INCLUDING, BUT NOT LIMITED TO, THE IMPLIED WARRANTY OF MERCHANTABILITY, TITLE, FITNESS FOR A PARTICULAR PURPOSE OR NON-INFRINGEMENT OF INTELLECTUAL PROPERTY RIGHTS. IN NO EVENT WILL ADI AND ITS LICENSORS BE LIABLE FOR ANY INCIDENTAL, SPECIAL, INDIRECT, OR CONSEQUENTIAL DAMAGES RESULTING FROM CUSTOMER'S POSSESSION OR USE OF THE EVALUATION BOARD, INCLUDING BUT NOT LIMITED TO LOST PROFITS, DELAY COSTS, LABOR COSTS OR LOSS OF GOODWILL. ADI'S TOTAL LIABILITY FROM ANY AND ALL CAUSES SHALL BE LIMITED TO THE AMOUNT OF ONE HUNDRED US DOLLARS (\$100.00). EXPORT. Customer agrees that it will not directly or indirectly export the Evaluation Board to another country, and that it will comply with all applicable United States federal laws and regulations relating to exports. GOVERNING LAW. This Agreement shall be governed by and construed in accordance with the substantive laws of the Commonwealth of Massachusetts (excluding conflict of law rules). Any legal action regarding this Agreement will be heard in the state or federal courts having jurisdiction in Suffolk County, Massachusetts, and Customer hereby submits to the personal jurisdiction and venue of such courts. The United Nations Convention on Contracts for the International Sale of Goods shall not apply to this Agreement and is expressly disclaimed.