

# TPS7A80xxDRBEVM

This user's guide describes the characteristics, operation, and use of the TPS7A8001DRBEVM (HPA562). This evaluation module (EVM) demonstrates the Texas Instruments TPS7A8001 Low-Dropout (LDO) linear regulators in a 3-mm x 3-mm, SON-8 package which is capable of a 1-A output current. This user's guide includes setup instructions, a schematic diagram, thermal guidelines, a bill of materials, and printed-circuit board layout drawings for the evaluation module.

## Contents

1	Introduction .....	1
2	Setup .....	1
	2.1 Input/Output Connector Descriptions .....	2
	2.2 Fixed Output Voltage Versions .....	2
3	Operation .....	3
	3.1 Operation .....	3
4	Thermal Guidelines .....	3
	4.1 Thermal Considerations .....	3
5	Board Layout .....	4
	5.1 Layout .....	4
6	Schematic and Bill of Materials .....	6
	6.1 Schematic .....	6
	6.2 Bill of Materials .....	7

## List of Figures

1	Top Layer Assembly .....	4
2	Top Layer Routing .....	4
3	Bottom Layer Routing .....	5
4	TPS7A8001DRBEVM Schematic .....	6

## List of Tables

1	Maximum Input Voltage vs Ambient Temperature and Output Voltage .....	3
2	Bill of Materials .....	7

## 1 Introduction

The TPS7A8001DRBEVM evaluation module (EVM) helps designers evaluate the operation and performance of the TPS7A8001 adjustable output LDO. Because the TPS7A8001 is adjustable, the EVM has been designed to provide several common output voltages which can be selected using an onboard jumper. The EVM can provide output voltages of 1.8, 2.5, 2.8 or 3.3 V using the jumper. Other output voltage can be evaluated but requires changing the feedback resistors.

## 2 Setup

This section describes the jumpers and connectors on the EVM as well as how to properly connect, set up, and use the TPS7A8001DRBEVM.

## 2.1 Input/Output Connector Descriptions

### 2.1.1 J1 – VIN

This is the positive input supply voltage. The connector for J1 is not populated on the TPS7A8001DRBEVM. This footprint allows the mounting of an SMA-style connector for more accurate PSRR measurements. See the bill of materials (BOM) for the manufacturer and part number of the corresponding connector.

### 2.1.2 J2 – VOUT

This is the output voltage. The connector for J2 is not populated on the TPS7A8001DRBEVM. This footprint allows the mounting of an SMA-style connector for more accurate PSRR measurements. See the BOM for the manufacturer and part number of the corresponding connector.

### 2.1.3 J3 – VIN and GND

**Pin 1:** This is the positive input supply voltage. Twist the leads to the input supply and keep them as short as possible to minimize EMI transmission. Additional bulk capacitance must be added between pins 1 and 2 if the supply leads are greater than six inches. An additional 47- $\mu$ F or greater capacitor improves the transient response of the TPS7A8001DRB and helps to reduce ringing on the input when long supply wires are used.

**Pin 2:** This is the input supply return (GND).

### 2.1.4 J4 – VOUT and GND

**Pin 1:** This is the positive output voltage.

**Pin 2:** This is the output voltage return (GND).

### 2.1.5 J5 – ENABLE

This jumper is used to enable or disable the output of the TPS7A8001DRB. Placing a shorting jumper between pins 1 and 2 (*ON* position) enables the TPS7A8001DRB. Placing the shorting jumper between pins 2 and 3 (*OFF* position) disables the TPS7A8001DRB.

### 2.1.6 J6 – Output Voltage Select

This jumper is used to set the desired output voltage from the TPS7A8001DRB. Placing a shorting jumper between the appropriate pins gives the corresponding outputs. The output voltage of the TPS7A8001DRBEVM must only be changed when the TPS7A8001DRBEVM is not powered. Installing and removing the jumper with the board powered can lead to undesired or unregulated output voltages.

Short Pins	VOUT (V)
1 and 2	3.3
3 and 4	2.8
5 and 6	2.5
7 and 8	1.8

## 2.2 Fixed Output Voltage Versions

### 2.2.1 Evaluating Fixed Voltage Version Devices

The TPS7A8001DRBEVM is supplied with the adjustable voltage version of the TPS7A80xx. The board can be used to evaluate fixed voltage versions of the TPS7A80xx as well. The integrated circuit (IC) must be changed to the desired fixed output voltage version of the device. Remove any jumper on J6. Install a 0- $\Omega$  resistor or shorting wire in location R1. R6 is not needed for the fixed output versions and can be removed optionally to reduce quiescent current.

### 3 Operation

This section provides information about the operation of the TPS7A8001DRBEVM.

#### 3.1 Operation

Ensure that the input power supply is off. Connect the positive input power supply to J3 pin 1. Connect the input power return (ground) to J3 pin 2. The TPS7A8001DRB has an absolute maximum input voltage of 7 V. The recommended maximum operating voltage is 6.5 V. The actual highest input voltage may be less than 6.5 V due to thermal conditions. See the Thermal Considerations section of this manual to determine the highest input voltage.

Connect the desired load between J4 pin 1 (positive lead) and J4 pin 2 (negative or return lead). Configure jumper J6 for the desired output voltage. Turn on the input power supply.

### 4 Thermal Guidelines

This section provides guidelines for the thermal management of the TPS7A8001DRBEVM board.

#### 4.1 Thermal Considerations

Thermal management is a key design component of any power converter and is especially important when the power dissipation in the LDO is high. To better help you design the TPS7A8001DRB family into your application, use [Equation 1](#) to approximate the maximum power dissipation at a particular ambient temperature:

$$T_J = T_A + P_d \times \theta_{JA} \quad (1)$$

where  $T_J$  is the junction temperature,  $T_A$  is the ambient temperature,  $P_d$  is the power dissipation in the IC and  $\theta_{JA}$  is the thermal resistance from junction to ambient. All temperatures are in degrees Celsius.

The measured thermal resistance from junction to ambient for the TPS7A8001EVM has a typical value of 52°C/W. The recommended maximum operating junction temperature specified in the data sheet for the TPS7A8001 family is 125°C. With these two pieces of information, the maximum power dissipation can be found by using [Equation 1](#).

[Table 1](#) shows the maximum input voltage that can be applied to the input of the TPS7A8001DRBEVM and still provide the full 1 A of output current. [Table 1](#) shows the input voltage versus the output voltage setting and two ambient temperatures (25°C and 85°C). The maximum input voltage shown provides the rated output current while keeping the junction temperature at or below the recommended 125°C.

**Table 1. Maximum Input Voltage vs Ambient Temperature and Output Voltage**

Ambient Temp	I <sub>out</sub> (A)	Selected Output Voltage (V)			
		1.8	2.5	2.8	3.3
25	1.00	3.72	4.42	4.72	5.22
85	1.00	2.57	3.27	3.57	4.07

## 5 Board Layout

### 5.1 Layout

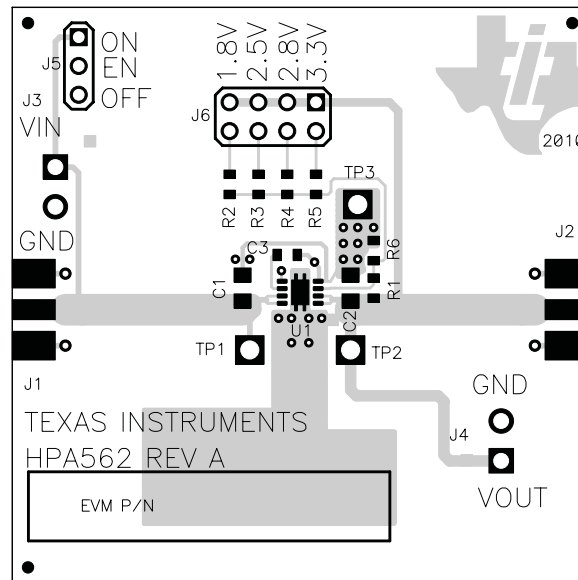


Figure 1. Top Layer Assembly

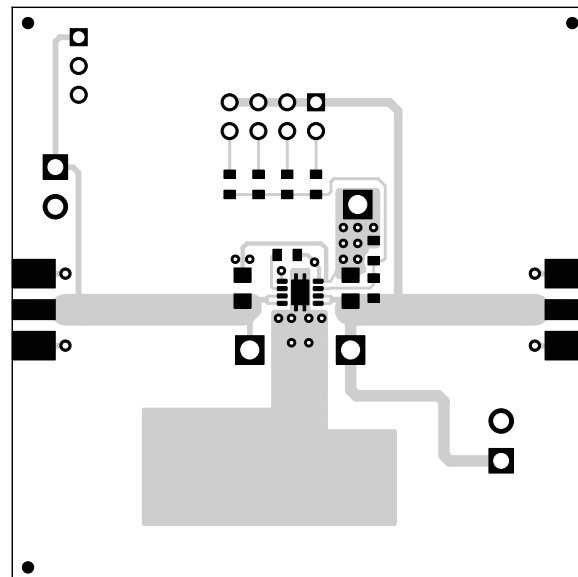
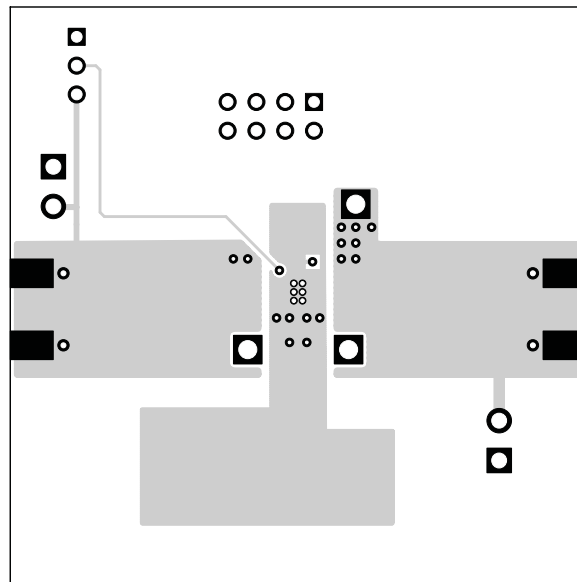


Figure 2. Top Layer Routing



**Figure 3. Bottom Layer Routing**

## 6 Schematic and Bill of Materials

This section provides the TPS7A8001DRBEVM board schematic and BOM.

### 6.1 Schematic

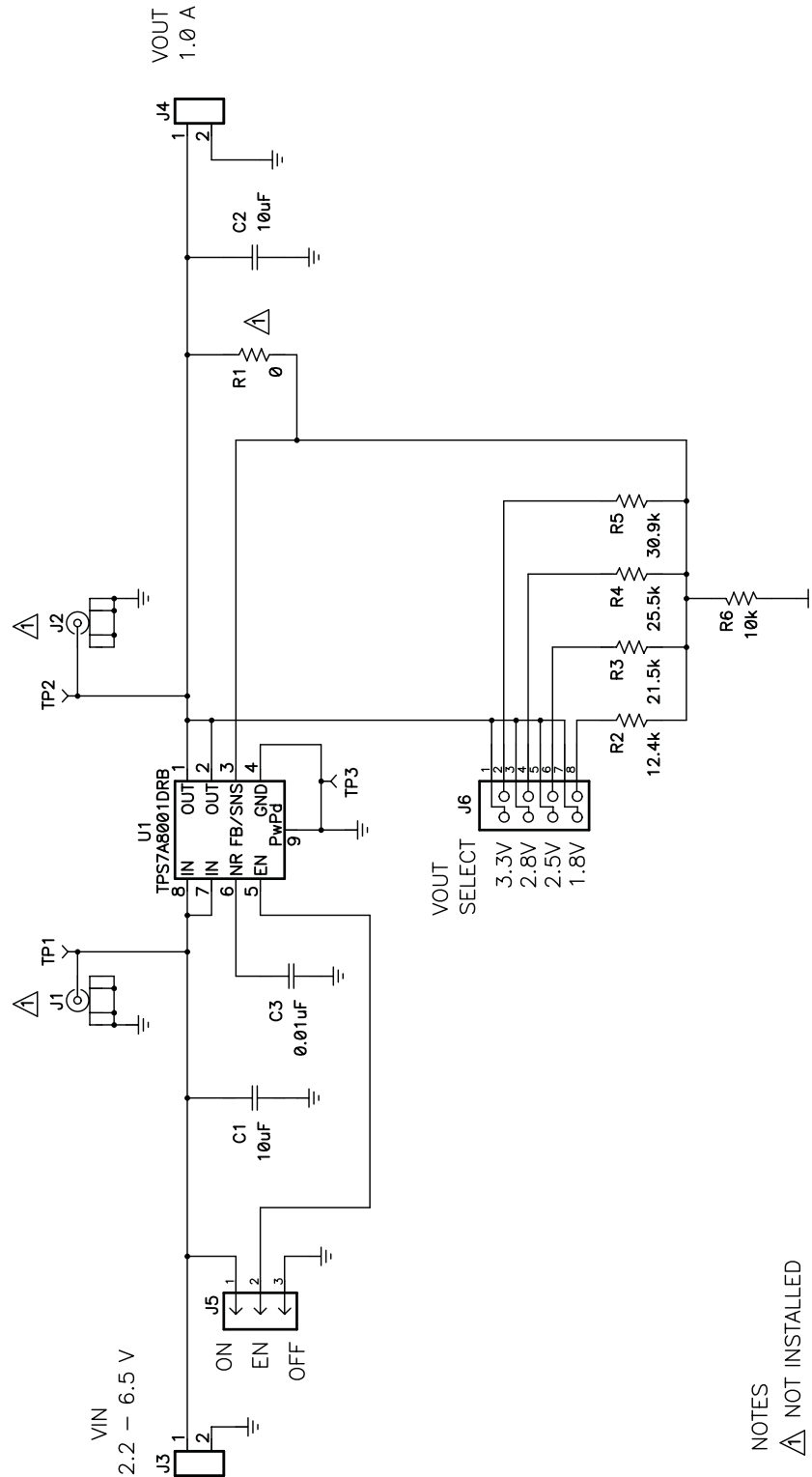


Figure 4. TPS7A8001DRBEVM Schematic

## 6.2 Bill of Materials

**Table 2. Bill of Materials**

Count	RefDes	Value	Description	Size	Part No.	MFR
2	C1, C2	10 $\mu$ F	Capacitor, Ceramic, 10V, X7R, 10%	0805	Std	Std
1	C3	0.01 $\mu$ F	Capacitor, Ceramic, 16V, X7R, 10%	0603	Std	Std
0	J1, J2	142-0711-821	CONNECTOR, SHIELDED, END LAUNCH JACK, GOLD PLATED, FOR 0.062 PCB, EDGE MOUNTED	0.250 SQ	142-0711-821	STD
2	J3, J4	ED550/2DS	Terminal Block, RA 2-pin, 6-A, 3.5mm	7.0 x 8.2 mm	ED550/2DS	OST
1	J5	PEC03SAAN	Header, Male 3-pin, 100mil spacing	0.100 inch x 3	PEC03SAAN	Sullins
1	J6	PEC04DAAN	Header, Male 2x4-pin, 100mil spacing	0.20 x 0.40 inch	PEC04DAAN	Sullins
0	R1	0	Resistor, Chip, 1/16W, 1%	0603	Std	Std
1	R2	12.4k	Resistor, Chip, 1/16W, 1%	0603	Std	Std
1	R3	21.5k	Resistor, Chip, 1/16W, 1%	0603	Std	Std
1	R4	25.5k	Resistor, Chip, 1/16W, 1%	0603	Std	Std
1	R5	30.9k	Resistor, Chip, 1/16W, 1%	0603	Std	Std
1	R6	10k	Resistor, Chip, 1/16W, 1%	0603	Std	Std
1	TP1	5010	Test Point, Red, Thru Hole	0.125 x 0.125 inch	5010	Keystone
1	TP2	5013	Test Point, Orange, Thru Hole	0.125 x 0.125 inch	5013	Keystone
1	TP3	5011	Test Point, Black, Thru Hole	0.125 x 0.125 inch	5011	Keystone
1	U1	TPS7A8001DRB	IC, Low Noise, High-Bandwidth PSRR LDO 1A Linear Regulator	DRB-8	TPS7A8001DRB	TI
1	-		PCB, 2 In x 2 In x 0.62 In		HPA562	Any
2		15-29-1025	Shunt, 2 pos 0.100 In Gold		15-29-1025	Molex

- Notes: 1. These assemblies are ESD sensitive, ESD precautions shall be observed.
2. These assemblies must be clean and free from flux and all contaminants.  
Using unclean flux is unacceptable.
3. These assemblies must comply with workmanship standards IPC-A-610 Class 2.
4. Ref designators marked with an asterisk (\*\*\*) cannot be substituted.  
All other components can be substituted with equivalent MFG's components.

## Evaluation Board/Kit Important Notice

Texas Instruments (TI) provides the enclosed product(s) under the following conditions:

This evaluation board/kit is intended for use for **ENGINEERING DEVELOPMENT, DEMONSTRATION, OR EVALUATION PURPOSES ONLY** and is not considered by TI to be a finished end-product fit for general consumer use. Persons handling the product(s) must have electronics training and observe good engineering practice standards. As such, the goods being provided are not intended to be complete in terms of required design-, marketing-, and/or manufacturing-related protective considerations, including product safety and environmental measures typically found in end products that incorporate such semiconductor components or circuit boards. This evaluation board/kit does not fall within the scope of the European Union directives regarding electromagnetic compatibility, restricted substances (RoHS), recycling (WEEE), FCC, CE or UL, and therefore may not meet the technical requirements of these directives or other related directives.

Should this evaluation board/kit not meet the specifications indicated in the User's Guide, the board/kit may be returned within 30 days from the date of delivery for a full refund. **THE FOREGOING WARRANTY IS THE EXCLUSIVE WARRANTY MADE BY SELLER TO BUYER AND IS IN LIEU OF ALL OTHER WARRANTIES, EXPRESSED, IMPLIED, OR STATUTORY, INCLUDING ANY WARRANTY OF MERCHANTABILITY OR FITNESS FOR ANY PARTICULAR PURPOSE.**

The user assumes all responsibility and liability for proper and safe handling of the goods. Further, the user indemnifies TI from all claims arising from the handling or use of the goods. Due to the open construction of the product, it is the user's responsibility to take any and all appropriate precautions with regard to electrostatic discharge.

**EXCEPT TO THE EXTENT OF THE INDEMNITY SET FORTH ABOVE, NEITHER PARTY SHALL BE LIABLE TO THE OTHER FOR ANY INDIRECT, SPECIAL, INCIDENTAL, OR CONSEQUENTIAL DAMAGES.**

TI currently deals with a variety of customers for products, and therefore our arrangement with the user **is not exclusive.**

TI assumes **no liability for applications assistance, customer product design, software performance, or infringement of patents or services described herein.**

Please read the User's Guide and, specifically, the Warnings and Restrictions notice in the User's Guide prior to handling the product. This notice contains important safety information about temperatures and voltages. For additional information on TI's environmental and/or safety programs, please contact the TI application engineer or visit [www.ti.com/esh](http://www.ti.com/esh).

No license is granted under any patent right or other intellectual property right of TI covering or relating to any machine, process, or combination in which such TI products or services might be or are used.

## FCC Warning

This evaluation board/kit is intended for use for **ENGINEERING DEVELOPMENT, DEMONSTRATION, OR EVALUATION PURPOSES ONLY** and is not considered by TI to be a finished end-product fit for general consumer use. It generates, uses, and can radiate radio frequency energy and has not been tested for compliance with the limits of computing devices pursuant to part 15 of FCC rules, which are designed to provide reasonable protection against radio frequency interference. Operation of this equipment in other environments may cause interference with radio communications, in which case the user at his own expense will be required to take whatever measures may be required to correct this interference.

## EVM Warnings and Restrictions

It is important to operate this EVM within the input voltage range of 2.2 V to 6.5 V and the output voltage range of 0.8 V to 6 V .

Exceeding the specified input range may cause unexpected operation and/or irreversible damage to the EVM. If there are questions concerning the input range, please contact a TI field representative prior to connecting the input power.

Applying loads outside of the specified output range may result in unintended operation and/or possible permanent damage to the EVM. Please consult the EVM User's Guide prior to connecting any load to the EVM output. If there is uncertainty as to the load specification, please contact a TI field representative.

During normal operation, some circuit components may have case temperatures greater than 85° C. The EVM is designed to operate properly with certain components above 85° C as long as the input and output ranges are maintained. These components include but are not limited to linear regulators, switching transistors, pass transistors, and current sense resistors. These types of devices can be identified using the EVM schematic located in the EVM User's Guide. When placing measurement probes near these devices during operation, please be aware that these devices may be very warm to the touch.

Mailing Address: Texas Instruments, Post Office Box 655303, Dallas, Texas 75265  
Copyright © 2010, Texas Instruments Incorporated



## IMPORTANT NOTICE

Texas Instruments Incorporated and its subsidiaries (TI) reserve the right to make corrections, modifications, enhancements, improvements, and other changes to its products and services at any time and to discontinue any product or service without notice. Customers should obtain the latest relevant information before placing orders and should verify that such information is current and complete. All products are sold subject to TI's terms and conditions of sale supplied at the time of order acknowledgment.

TI warrants performance of its hardware products to the specifications applicable at the time of sale in accordance with TI's standard warranty. Testing and other quality control techniques are used to the extent TI deems necessary to support this warranty. Except where mandated by government requirements, testing of all parameters of each product is not necessarily performed.

TI assumes no liability for applications assistance or customer product design. Customers are responsible for their products and applications using TI components. To minimize the risks associated with customer products and applications, customers should provide adequate design and operating safeguards.

TI does not warrant or represent that any license, either express or implied, is granted under any TI patent right, copyright, mask work right, or other TI intellectual property right relating to any combination, machine, or process in which TI products or services are used. Information published by TI regarding third-party products or services does not constitute a license from TI to use such products or services or a warranty or endorsement thereof. Use of such information may require a license from a third party under the patents or other intellectual property of the third party, or a license from TI under the patents or other intellectual property of TI.

Reproduction of TI information in TI data books or data sheets is permissible only if reproduction is without alteration and is accompanied by all associated warranties, conditions, limitations, and notices. Reproduction of this information with alteration is an unfair and deceptive business practice. TI is not responsible or liable for such altered documentation. Information of third parties may be subject to additional restrictions.

Resale of TI products or services with statements different from or beyond the parameters stated by TI for that product or service voids all express and any implied warranties for the associated TI product or service and is an unfair and deceptive business practice. TI is not responsible or liable for any such statements.

TI products are not authorized for use in safety-critical applications (such as life support) where a failure of the TI product would reasonably be expected to cause severe personal injury or death, unless officers of the parties have executed an agreement specifically governing such use. Buyers represent that they have all necessary expertise in the safety and regulatory ramifications of their applications, and acknowledge and agree that they are solely responsible for all legal, regulatory and safety-related requirements concerning their products and any use of TI products in such safety-critical applications, notwithstanding any applications-related information or support that may be provided by TI. Further, Buyers must fully indemnify TI and its representatives against any damages arising out of the use of TI products in such safety-critical applications.

TI products are neither designed nor intended for use in military/aerospace applications or environments unless the TI products are specifically designated by TI as military-grade or "enhanced plastic." Only products designated by TI as military-grade meet military specifications. Buyers acknowledge and agree that any such use of TI products which TI has not designated as military-grade is solely at the Buyer's risk, and that they are solely responsible for compliance with all legal and regulatory requirements in connection with such use.

TI products are neither designed nor intended for use in automotive applications or environments unless the specific TI products are designated by TI as compliant with ISO/TS 16949 requirements. Buyers acknowledge and agree that, if they use any non-designated products in automotive applications, TI will not be responsible for any failure to meet such requirements.

Following are URLs where you can obtain information on other Texas Instruments products and application solutions:

<b>Products</b>		<b>Applications</b>	
Amplifiers	<a href="http://amplifier.ti.com">amplifier.ti.com</a>	Audio	<a href="http://www.ti.com/audio">www.ti.com/audio</a>
Data Converters	<a href="http://dataconverter.ti.com">dataconverter.ti.com</a>	Automotive	<a href="http://www.ti.com/automotive">www.ti.com/automotive</a>
DLP® Products	<a href="http://www.dlp.com">www.dlp.com</a>	Communications and Telecom	<a href="http://www.ti.com/communications">www.ti.com/communications</a>
DSP	<a href="http://dsp.ti.com">dsp.ti.com</a>	Computers and Peripherals	<a href="http://www.ti.com/computers">www.ti.com/computers</a>
Clocks and Timers	<a href="http://www.ti.com/clocks">www.ti.com/clocks</a>	Consumer Electronics	<a href="http://www.ti.com/consumer-apps">www.ti.com/consumer-apps</a>
Interface	<a href="http://interface.ti.com">interface.ti.com</a>	Energy	<a href="http://www.ti.com/energy">www.ti.com/energy</a>
Logic	<a href="http://logic.ti.com">logic.ti.com</a>	Industrial	<a href="http://www.ti.com/industrial">www.ti.com/industrial</a>
Power Mgmt	<a href="http://power.ti.com">power.ti.com</a>	Medical	<a href="http://www.ti.com/medical">www.ti.com/medical</a>
Microcontrollers	<a href="http://microcontroller.ti.com">microcontroller.ti.com</a>	Security	<a href="http://www.ti.com/security">www.ti.com/security</a>
RFID	<a href="http://www.ti-rfid.com">www.ti-rfid.com</a>	Space, Avionics & Defense	<a href="http://www.ti.com/space-avionics-defense">www.ti.com/space-avionics-defense</a>
RF/IF and ZigBee® Solutions	<a href="http://www.ti.com/lprf">www.ti.com/lprf</a>	Video and Imaging	<a href="http://www.ti.com/video">www.ti.com/video</a>
		Wireless	<a href="http://www.ti.com/wireless-apps">www.ti.com/wireless-apps</a>

Mailing Address: Texas Instruments, Post Office Box 655303, Dallas, Texas 75265  
Copyright © 2010, Texas Instruments Incorporated