

1 THREADED BODY

Glass-fibre reinforced polyamide based (PA) SUPER-technopolymer.

2 PLUNGER

Black-oxide hardened steel or AISI 303 stainless steel.
Suggested tolerance H7 for matching hole.

3 LEVER

Self-lubricating glass-fibre reinforced polyamide based (PA) technopolymer, black colour, matte finish.

5 SPRING

AISI 302 stainless steel.

6 LOCKING NUT (NTT)

Glass-fibre reinforced polyamide based (PA) SUPER-technopolymer. Available also as accessory sold separately (see table NTT).

7 STANDARD EXECUTIONS

- **PMT.200-A:** black-oxide steel plunger, without locking nut.
- **PMT.200-AK:** black-oxide steel plunger, with locking nut (supplied not assembled).
- **PMT.200-SST-A:** AISI 303 stainless steel plunger, without locking nut, not magnetic.
- **PMT.200-SST-AK:** AISI 303 stainless steel plunger, with locking nut (supplied not assembled), not magnetic.

10 FEATURES AND APPLICATIONS

- PMT.200 lever indexing plungers are used when the plunger must be retracted quickly.
- By rotating the lifting lever by 180°, the plunger stops in the retracted position in which the lever is kept by a notch.
- High Lightness and high mechanical resistance of the product.
- Anticorrosive material: suitable even in the presence of liquid or humidity (PMT.200-SST).
- The SUPER-technopolymer threaded body of the plunger offers a low friction factor to the plunger stroke; no lubricating maintenance is required.

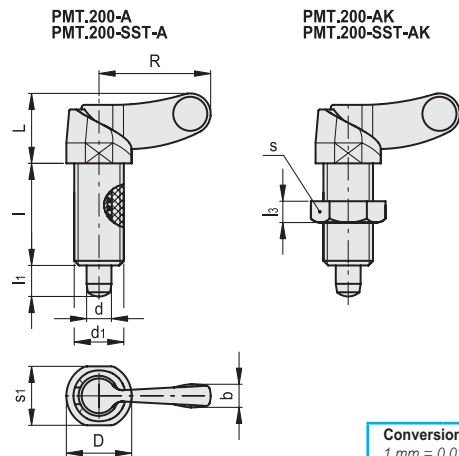
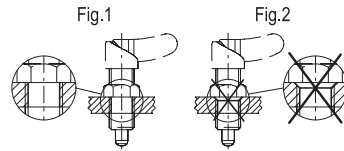
14 ASSEMBLY INSTRUCTIONS

Make sure that no machining residues are left on the threaded hole for the assembly of PMT.200 indexing plunger (see fig. 1). Do not make any chamfering in the hole (see fig. 2).

SUPER-technopolymer product based on ELESAs technology, dimensions according to GN 612 standards as agreed with Otto Gantner GmbH Co. KG. Lever: Elesa original design.



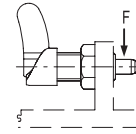
ELESAs Original design



NTT

Code	Description
301083	NTT-M10x1
301085	NTT-M12x1,5
301087	NTT-M16x1,5
301089	NTT-M20x1,5

Conversion Table	
1 mm = 0.039 inch	
d1	
mm	inch
4	0.16
5	0.20
6	0.24
8	0.31
10	0.39



PMT.200-A

METRIC

Code	Description	d Plunger -0.15 -0.1 Hole H7	d1	L	D	R	b	l	l1	s1	[N]*	[N]#	Maximum tightening torque [Nm]	Max. static load F[N]	⚖️
51694	PMT.200-4-M10x1-A	4	M10x1	14	13	22	5	19	6	12	7	20	5	1500	8
51695	PMT.200-5-M10x1-A	5	M10x1	14	13	22	5	19	6	12	7	20	5	1500	8
51696	PMT.200-5-M12x1,5-A	5	M12x1.5	17	15.5	26.5	5.5	26	8	14	9	35	9	3000	12.5
51702	PMT.200-6-M12x1,5-A	6	M12x1.5	17	15.5	26.5	5.5	26	8	14	9	35	9	3000	13
51705	PMT.200-6-M16x1,5-A	6	M16x1.5	21	20.5	32.5	7	30	10	19	10	40	18	3000	25
51711	PMT.200-8-M16x1,5-A	8	M16x1.5	21	20.5	32.5	7	30	10	19	10	40	18	3000	26
51712	PMT.200-8-M20x1,5-A	8	M20x1.5	25	25.5	40	9	36	12	24	20	60	25	4500	48
51716	PMT.200-10-M20x1,5-A	10	M20x1.5	25	25.5	40	9	36	12	24	20	60	25	4500	49

PMT.200-AK

Code	Description	d Plunger -0.15 -0.1 Hole H7	d1	L	D	R	b	l	l1	l3	s	s1	[N]*	[N]#	Maximum tightening torque [Nm]	Max. static load F[N]	⚖️
51718	PMT.200-4-M10x1-AK	4	M10x1	14	13	22	5	19	6	7	16	12	7	20	5	1500	8.5
51719	PMT.200-5-M10x1-AK	5	M10x1	14	13	22	5	19	6	7	16	12	7	20	5	1500	9.5
51720	PMT.200-5-M12x1,5-AK	5	M12x1.5	17	15.5	26.5	5.5	26	8	8	19	14	9	35	9	3000	15.5
51722	PMT.200-6-M12x1,5-AK	6	M12x1.5	17	15.5	26.5	5.5	26	8	8	19	14	9	35	9	3000	16
51724	PMT.200-6-M16x1,5-AK	6	M16x1.5	21	20.5	32.5	7	30	10	10	24	19	10	40	18	3000	30
51731	PMT.200-8-M16x1,5-AK	8	M16x1.5	21	20.5	32.5	7	30	10	10	24	19	10	40	18	3000	31
51732	PMT.200-8-M20x1,5-AK	8	M20x1.5	25	25.5	40	9	36	12	11	30	24	20	60	25	4500	57
51736	PMT.200-10-M20x1,5-AK	10	M20x1.5	25	25.5	40	9	36	12	11	30	24	20	60	25	4500	58

PMT.200-SST-A

INOX STAINLESS STEEL

METRIC

Code	Description	d Plunger -0.15 -0.1 Hole H7	d1	L	D	R	b	l	l1	s1	[N]*	[N]#	Maximum tightening torque [Nm]	Max. static load F[N]	⚖️
51744	PMT.200-SST-4-M10x1-A	4	M10x1	14	13	22	5	19	6	12	7	20	5	1000	20
51745	PMT.200-SST-5-M10x1-A	5	M10x1	14	13	22	5	19	6	12	7	20	5	1000	20
51746	PMT.200-SST-5-M12x1,5-A	5	M12x1.5	17	15.5	26.5	5.5	26	8	14	9	35	9	2000	22
51752	PMT.200-SST-6-M12x1,5-A	6	M12x1.5	17	15.5	26.5	5.5	26	8	14	9	35	9	2000	22
51755	PMT.200-SST-6-M16x1,5-A	6	M16x1.5	21	20.5	32.5	7	30	10	19	10	40	18	2000	26
51761	PMT.200-SST-8-M16x1,5-A	8	M16x1.5	21	20.5	32.5	7	30	10	19	10	40	18	2000	26
51762	PMT.200-SST-8-M20x1,5-A	8	M20x1.5	25	25.5	40	9	36	12	24	20	60	25	4000	31
51766	PMT.200-SST-10-M20x1,5-A	10	M20x1.5	25	25.5	40	9	36	12	24	20	60	25	4000	31

PMT.200-SST-AK

INOX STAINLESS STEEL

METRIC

Code	Description	d Plunger -0.15 -0.1 Hole H7	d1	L	D	R	b	l	l1	l3	s	s1	[N]*	[N]#	Maximum tightening torque [Nm]	Max. static load F[N]	⚖️
51768	PMT.200-SST-4-M10x1-AK	4	M10x1	14	13	22	5	19	6	7	16	12	7	20	5	1000	20
51769	PMT.200-SST-5-M10x1-AK	5	M10x1	14	13	22	5	19	6	7	16	12	7	20	5	1000	20
51770	PMT.200-SST-5-M12x1,5-AK	5	M12x1.5	17	15.5	26.5	5.5	26	8	8	19	14	9	35	9	2000	22
51772	PMT.200-SST-6-M12x1,5-AK	6	M12x1.5	17	15.5	26.5	5.5	26	8	8	19	14	9	35	9	2000	22
51774	PMT.200-SST-6-M16x1,5-AK	6	M16x1.5	21	20.5	32.5	7	30	10	10	24	19	10	40	18	2000	26
51781	PMT.200-SST-8-M16x1,5-AK	8	M16x1.5	21	20.5	32.5	7	30	10	10	24	19	10	40	18	2000	26
51782	PMT.200-SST-8-M20x1,5-AK	8	M20x1.5	25	25.5	40	9	36	12	11	30	24	20	60	25	4000	31
51786	PMT.200-SST-10-M20x1,5-AK	10	M20x1.5	25	25.5	40	9	36	12	11	30	24	20	60	25	4000	31

* Spring preload
Spring maximum load