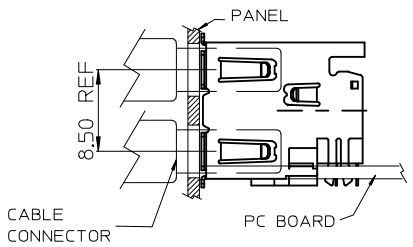
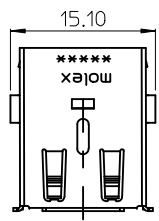
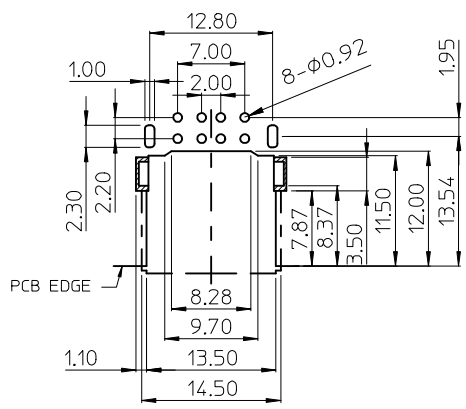


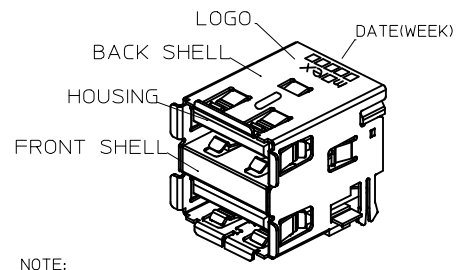
7 6 5 4 3 2 1



RECESSED MOUNTING CONFIGURATION

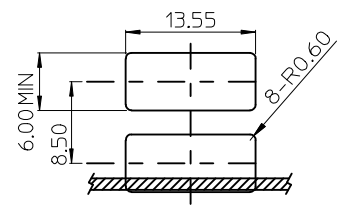
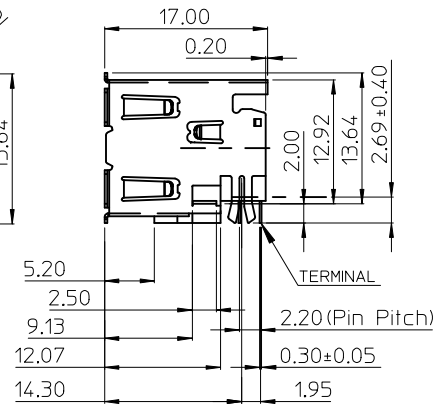
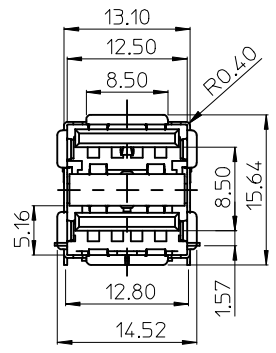
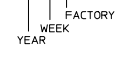


RECOMMENDED PCB LAYOUT COMPONENT SIDE VIEW

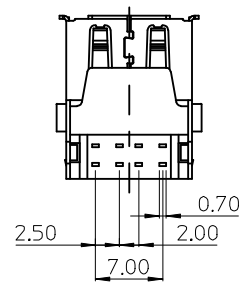


NOTE:

- MATERIAL:  
HOUSING: NYLON GLASS-FIBER REINFORCED, UL94-V0, COLOR: BLACK.  
TERMINAL: PHOSPHOR BRONZE.  
METAL SHELL: FRONT SHELL: SUS 304  
BACK SHELL: BRASS
- PLATING:  
TERMINAL:  
CONTACT AREA: SEE TABLE  
SOLDER TAIL: TIN PLATED (Sn) ALLOY, THICKNESS=75 MICROINCH MIN.  
UNDERPLATE: NICKEL (Ni), THICKNESS=50 MICROINCH MIN.  
SURFACE APPEARANCE: BRIGHT.  
METAL SHELL:  
TIN PLATED (Sn) AT SOLDER AREA  
THICKNESS=100 MICROINCH MINIMUM.  
UNDER PLATE: NICKEL (Ni), (SOLDERING AVAILABLE)  
THICKNESS=50 MICROINCH MINIMUM.  
SURFACE APPEARANCE: BRIGHT.
- RECOMMENDED PCB THICKNESS: 1.20±0.05MM
- PRODUCT SPECIFICATION: REFER TO PS-67998-002
- TEST SUMMARY: REFER TO TS-67298-007
- PACKAGING SPECIFICATION:  
REFER TO PK-67298-003 FOR TRAY.  
REFER TO PK-67298-004 FOR TAPE & REEL.
- LEAD FREE AND ROHS COMPLIANCE PRODUCT
- FOR IR REFLOW PROCESS
- WEEK CODE XXXXX



MOUNTING PANEL CUTOUT (INTERNAL SIDE)



PART NUMBER LEGEND

P/N	CONTACT PLATING	PACKAGE
67298-2090	GOLD FLASH	TRAY
67298-2091	30 MICROINCH GOLD	TRAY
67298-2190	GOLD FLASH	TAPE & REEL
67298-2191	30 MICROINCH GOLD	TAPE & REEL

L/F FOR 67298  
EC NO: SH20050529Z97  
DRWN: CHEN12 2005/05/06  
CHKD: 2005/05/10  
APPR: WWSCHANG 2005/05/10

REV	DESCRIPTION
B	

QUALITY SYMBOLS	
	=0
	=0

GENERAL TOLERANCES (UNLESS SPECIFIED)		
	mm	INCH
4 PLACES	± ---	± ---
3 PLACES	± ---	± ---
2 PLACES	± 0.25	± ---
1 PLACE	± 0.25	± ---
ANGULAR ± 3 °		

DRAFT WHERE APPLICABLE MUST REMAIN WITHIN DIMENSIONS

DIMENSION STYLE	
MM ONLY	
DRAWN BY	DATE
IVY-LIN	05/04/18
CHECKED BY	DATE
ALLEN	05/04/18
APPROVED BY	DATE
WWSCHANG	05/04/18
MATERIAL NO.	
SIZE	SEE TABLE

SCALE	DESIGN UNITS	THIRD ANGLE PROJECTION
	METRIC	
TITLE		
USB DUAL STACKED A CONNECTOR (LEAD FREE VERSION)		
MOLEX INCORPORATED		
DOCUMENT NO.	SHEET NO.	
SD-67298-007	1 OF 1	

6 5 4 3 2 1