



Main

Range of Product	Phaseo
Product or Component Type	Battery module
Input voltage	24 V DC
Output voltage	24 V DC
Maximum output current	75 A
Battery Capacity	12 Ah
Holding time	< 20 h 0.6 A, 68 °F (20 °C) > 5 min 31.3 A, 68 °F (20 °C)

Complementary

Input voltage limits	21...29 V
Charging time	72 h
Load current	1.2 A
Output protection type	Against overload and short-circuits 2 x 30 A automotive type fuses
Connections - terminals	Input connection screw type terminals 4 x 0.5...4 x 10 mm ² AWG 20...AWG 8 Output connection screw type terminals 4 x 0.5...4 x 10 mm ² AWG 20...AWG 8
Self-discharge rate	15 %, 6 months 9 %, 3 months 3 %, 1 month
Fixing mode	By 2 screws 0.20 in (5 mm) horizontal panel horizontal By 4 screws 0.20 in (5 mm) vertical panel vertical
Output coupling	Parallel
Operating altitude	6561.68 ft (2000 m)
Service life in hours	11000 H 104 °F (40 °C) 15000 H 95 °F (35 °C) 22000 H 86 °F (30 °C) 31000 H 77 °F (25 °C) 44000 H 68 °F (20 °C) 5000 H 122 °F (50 °C) 7300 h 113 °F (45 °C)
Marking	CE
Net Weight	26.46 lb(US) (12 kg)

Environment

Product Certifications	CTP UL
Ambient air temperature for operation	32...104 °F (0...40 °C)
Ambient Air Temperature for Storage	-4...122 °F (-20...50 °C)
IP degree of protection	IP10 conforming to EN/IEC 60529
Overvoltage category	Class 3 VDE 0106-1
Vibration resistance	2 gn 11.9...150 Hz)EN/IEC 61131-2 3.5 mm 3...11.9 Hz)EN/IEC 61131-2

The information provided in this documentation contains general descriptions and/or technical characteristics of the performance of the products contained herein. This documentation is not intended as a substitute for and is not to be used for determining suitability or reliability of these products for specific user applications. It is the duty of any such user or integrator to perform the appropriate and complete risk analysis, evaluation and testing of the products with respect to the relevant specific application or use thereof. Neither Schneider Electric Industries SAS nor any of its affiliates or subsidiaries shall be responsible or liable for misuse of the information contained herein.

Ordering and shipping details

Category	22525 - ABL8 AND ABL7 POWER SUPPLIE
Discount Schedule	CP12
GTIN	3389118312227
Nbr. of units in pkg.	1
Package weight(Lbs)	23.67 lb(US) (10.736 kg)
Returnability	No
Country of origin	FR

Packing Units

Unit Type of Package 1	PCE
Package 1 Height	7.40 in (18.8 cm)
Package 1 width	12.91 in (32.8 cm)
Package 1 Length	7.95 in (20.2 cm)
Unit Type of Package 2	CAR
Number of Units in Package 2	1
Package 2 Weight	23.05 lb(US) (10.455 kg)
Package 2 Height	7.48 in (19 cm)
Package 2 width	7.87 in (20 cm)
Package 2 Length	9.06 in (23 cm)
Unit Type of Package 3	S06
Number of Units in Package 3	10
Package 3 Weight	259.15 lb(US) (117.55 kg)
Package 3 Height	28.94 in (73.5 cm)
Package 3 width	23.62 in (60 cm)
Package 3 Length	31.50 in (80 cm)

Offer Sustainability

California proposition 65	WARNING: This product can expose you to chemicals including: Lead and lead compounds, which is known to the State of California to cause cancer and birth defects or other reproductive harm. For more information go to www.P65Warnings.ca.gov
REACH Regulation	REACH Declaration
REACH free of SVHC	Yes
EU RoHS Directive	Not applicable, out of EU RoHS legal scope
China RoHS Regulation	China RoHS Declaration
Environmental Disclosure	Product Environmental Profile
Circularity Profile	End Of Life Information
PVC free	Yes

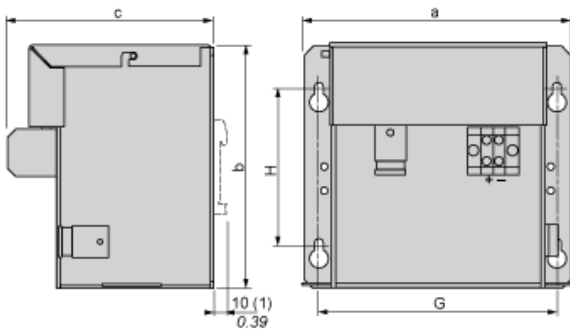
Contractual warranty

Warranty	18 months
----------	-----------

24 Vdc Battery Module

Dimensions

mm
inch



ABL	a	b	c	G	H
8BPK24A03	184/7.24	138,5/5.45	131	156/6.14	83/3.27
8BPK24A07	170/6.69	155,5/6.12	131	152/5.98	100/3.94
8BPK24A12	236/9.29	155,5/6.12	131	218/3.94	100/3.94

(1) ABL8BPK24A03 (with kit ABL1A02)

24 Vdc Battery Module

Mounting



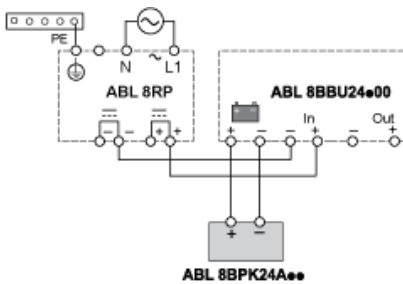
Wiring Requirements

Cable Types and Wire Sizes

	ABL 8BPK24A12 mm²/AWG: 6/10	ABL 8BBU24200 mm²/AWG: 10/16
	Nm: 1,7 Nm max lb-in: 15	

24 Vdc Battery Module Wiring

Wiring Diagram



Paralleling 2 x ABL8PK24A12

Wiring Diagram

