

**NOTES**

1. ONLY THE ITEMS WITH QUANTITIES SPECIFIED ON PARTS LIST ARE USED ON THIS APPLICATOR.

2. USED IN PLACE OF ITEM 38 WHEN INSULATION CRIMP IS NOT USED.

3. GUARD MUST BE IN PLACE WHEN OPERATING APPLICATOR IN AMP-O-LECTRIC PRESS.

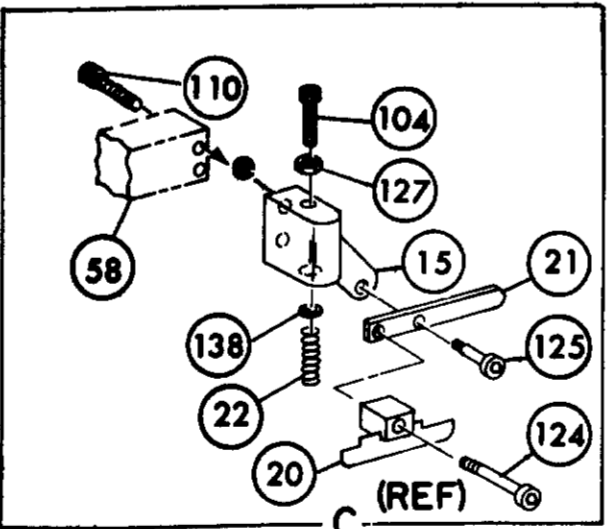
4. PARTS WITH QTY. OF REF. SPECIFIED (EXCEPT ITEM 79) ARE USED ON ITEM 32.

**KEY:**

■ RECOMMENDED SPARE PARTS. CUSTOMER RESPONSIBLE FOR REPLACEMENT.

▲ LUBRICATE DAILY USING NO. 20 MACHINE OIL.

● GREASE LIGHTLY.



BTN HD SOC CAP SCR 3/8-16 X 75 (REF)

REF.	21045-3	RING, RETAINING 'C' (.187 DIA) FEED PIN	145	REF.	454220-1	CAP, RAM	59
REF.	5-21028-1	PIN, SLOT SPG (.12 DIA X .50) FD ADJ ROD	144	REF.	453736-1	HOUSING	58
			142				57
REF.	1-21030-7	PIN, DOWEL (.187 DIA X 1.50) HOUSING	141	REF.	240624-1	PIN, FEED FINGER	55
REF.	1-21030-1	PIN, DOWEL (.187 DIA X .50) LEVER	140	REF.	691499	SPRING, FEED FINGER	54
			139	REF.	240635-1	FINGER, FEED	53
	22260-5	WASHER, FLAT (NO 6) DRAG SPRING	138	REF.	240634-1	LEVER, TERMINAL	52
REF.	21899-4	WASHER, FLAT (5/16 DIA) SCR ADJ	137				51
			136				50
REF.	21024-5	WASHER, LOCK (NO 10) FEED ADJ PLATE	135	1	7-21002-9	BOLT, CRIMPER	49
2	21024-5	WASHER, LOCK (NO 10) SHEAR PLATES	134	1	690602-5	CAM, PRE FEED 1 1/8 STROKE	48
REF.	21024-5	WASHER, LOCK (NO 10) FEED ROD GUIDE	133				47
4	21024-4	WASHER, LOCK (NO 8) STRIP GUIDE	132				46
2	21024-4	WASHER, LOCK (NO 8) SHEAR BLADE	131	1	690191-1	PLUG, NYLON	45
			130	1	455674-1	RAM	44
2	21018-4	NUT, HEX MACH (4-40) DRAG	129	1	690125-1	WASHER, LAMINATED	43
REF.	21068-5	NUT, HEX MACH (6-32) FD ADJ PLATE	128	1	690124-1	WASHER, RAM	42
	21018-7	NUT, HEX MACH (10-32) DRAG SPRING	127	1	690223-1	SPACER, DISC	41
2	21022-2	NUT, HEX SELF-LKG (8-32) DRAG STUD	126	1	23241-6	BALL, STEEL	40
	5-21004-7	SCR, SKT HD SHLD (250 DIA X .25) DRAG ARM	125	1	690170-1	SPRING, COMPRESSION	39
	21004-5	SCR, SKT HD SHLD (250 DIA X 1.00) DRAG	124			DISC, INSULATION	38
2	4-21078-P	SCR, SKT SET OVAL POINT (4-40 X .75) DRAG	123	1	1-690141-3	DISC, WIRE	37
1	21009-2	SCR, SKT SET (1/4-20 X 25) (LOC-WEL) RAM	122	1	22480-5	WASHER, SPRING	36
			121	1	690212-1	POST, RAM	35
1	2-21003-0	SCR, FLAT HD SKT CAP (6-32 X .50) CAM	120				34
			119				33
REF.	3-21064-2	SCR, RD HD MACH (6-32 X 1.50) FEED ADJ	118	1	458980-1	APPLICATOR, BASIC (SUB ASSY)	32
			117				31
2	2-21002-2	SCR, BTN HD SKT CAP (8-32 X .50) STRIPPER	116				30
REF.	2-21002-9	SCR, BTN HD SKT CAP (10-32 X .75) HSG CAP	115				29
1	22733-B	SCR, BTN HD SKT CAP (8-32 X .38) (LOC-WEL) ANVIL	114	1	3-690451-2	SPACER, STRIPPER	28
4	3-21002-3	SCR, BTN HD SKT CAP (1/4-20 X .50) STR GDE PL	113	1	240639-1	STRIPPER	27
REF.	1-24073-9	SCR, BTN HD SKT CAP (1/4-20 X .75) BASE PL	112	REF.	455676-1	PLATE, BASE	26
			111	2	22354-8	DRAG, STUD	25
	2-21000-4	SCR, SKT HD CAP (6-32 X 1.00) DRAG ADAPTOR	110	1	455678-1	PLATE, STRIP GUIDE	24
1	23030-1	SCR, SKT HD CAP (6-32 X .25) (LOC-WEL) CP DISC	109			PLATE, STRIP HOLD	23
2	2-21000-6	SCR, SKT HD CAP (8-32 X .38) SHEAR BLADE	108	2	4-22281-1	SPRING, DRAG	22
3	7-21000-4	SCR, SKT HD CAP (8-32 X .31) STRIP GUIDE	107			LEVER, DRAG	21
1	7-21000-4	SCR, SKT HD CAP (8-32 X .31) STRIP GUIDE	106	1	454177-1	DRAG, STOCK	20
REF.	3-21000-7	SCR, SKT HD CAP (10-32 X .75) FD ROD GUIDE	105	1	1-458030-6	GUIDE, STRIP (REAR)	19
	3-21000-9	SCR, SKT HD CAP (10-32 X 1.00) DRAG SPRING	104	1	1-458031-6	GUIDE, STRIP (FRONT)	18
REF.	3-21000-6	SCR, SKT HD CAP (10-32 X .62) FD ADJ PLATE	103	REF.	454178-1	GUIDE, FEED ROD	17
REF.	3-21000-4	SCR, SKT HD CAP (10-32 X .38) PIVOT BLK	102	REF.	4-22284-9	SPRING, FEED RETURN	16
7	3-21000-8	SCR, SKT HD CAP (10-32 X .88) SHEAR PLATE	101			ADAPTER, DRAG	15
REF.	455745-1	GUARD, WINDOW	79				14
	465184-9	LUBRICATG. ASSY	78			SPACER, HOLD DOWN	13
	455985-1	OIL, LUBRICATING	77			SPRING, HOLD DOWN	12
	454406-1	SPACER, LUB BRACKET	76	1	240644-1	PLATE, REAR SHEAR	11
			75	2	1-240645-2	SPACER, SHEAR PLATE	10
			74	1	240642-8	PLATE, FRONT SHEAR	9
REF.	458109-1	WASHER, FLAT (SPECIAL)	73	1	4-240644-4	ANVIL	8
1	690603-1	SPRING, ASSIST	72	1	1-240651-1	BLADE, SLUG	7
REF.	690517-1	SPACER	71			HOLD DOWN, TERMINAL	6
	22594-8	NUT, HEX	70	1	5-240641-9	SPACER, SHEAR BLADE	5
	240628-1	PLATE, ADJ	69			SPACER, TUBULAR	4
	240626-1	SHAFT, PIVOT	68			CRIMPER, INSULATION	3
	240633-1	BUSHING	67			SPACER, INSULATION	2
	455680-1	LEVER, INTERMEDIATE	66	1	459492-5	CRIMPER, WIRE	1
	240629-1	BLOCK, PIVOT	65				
	240632-2	SCREW, ADJ	64				
	240659-3	PIN, CAM ROLLER	63				
	240658-1	CAM, ROLLER	62				
REF.	454398-1	ROD, FEED	61				
			60				

CRIMPING DATA				APPLICATOR WILL APPLY	
PAD LTR	CRIMP HEIGHT	WIRE SIZE	WIRE LENGTH		
A					41544
B	CRIMP TILL	TIGHT			41933
C					42309
D					

REMARKS	NO	REV
APPL USED ON MACHINE PART NO	MACH SERIAL NO	DISTRIBUTION
CUSTOMER NAME	APPL SERIAL NO	ORIGINAL
ADDRESS	PURCHASE ORDER	CUSTOMER COPY
CITY	ENG APP	FIELD ENG COPY

WIRE	.100	"0"		
INSUL			.623	A1 8039
WIRE RANGE		INSULATION RANGE	PRESS NO	
		.058-.062	965435-5	

AMP-O-LECTRIC PRE FEED

PF	LTR	REVISION RECORD	APP DATE	PF	LTR	REVISION RECORD	APP DATE

THIS INFORMATION IS CONFIDENTIAL AND IS DISCLOSED TO YOU ON CONDITION THAT YOU WILL NOT DISCLOSE IT TO OTHERS WITHOUT WRITTEN AUTHORIZATION FROM AMP INCORPORATED, HARRISBURG, PA.

SET UP PAGE 10-1  
458038-1 728  
BY 3/27/74 APP  
RQ (condull)  
CHK 3-11-74 REL 3-11-74 LOC A D 10 466072-2 REV 13  
NAME MINIATURE QUICK CHANGE APPLICATOR  
END FEED (I.R. SPADE)