

**MATERIAL**

Polyamide based (PA) technopolymer.

- Cover: RAL 2004 orange, semi-matte finish, marked "OIL".
- Threaded connector: black colour, semi-matte finish.

**MOUNTING**

Push-fit on pipes with max outside diameter of 39 mm and min inside diameter of 32 mm.

**CLIP**

Black-oxide steel.

**RING-SHAPED AIR FILTER**

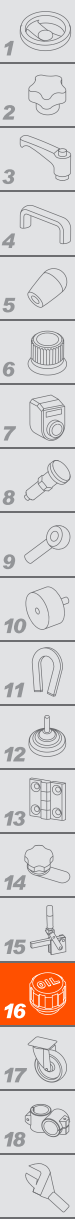
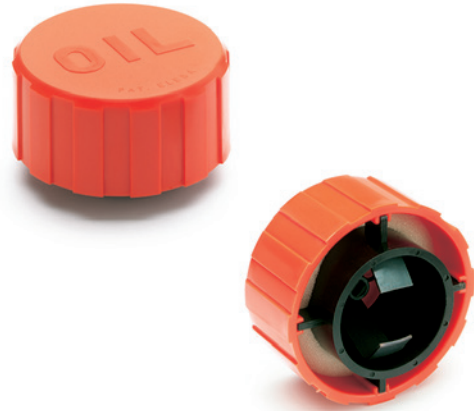
"Tech-foam" polyurethane foam mesh (polyester base), air filtration 40 µ.

**MAXIMUM CONTINUOUS WORKING TEMPERATURE**

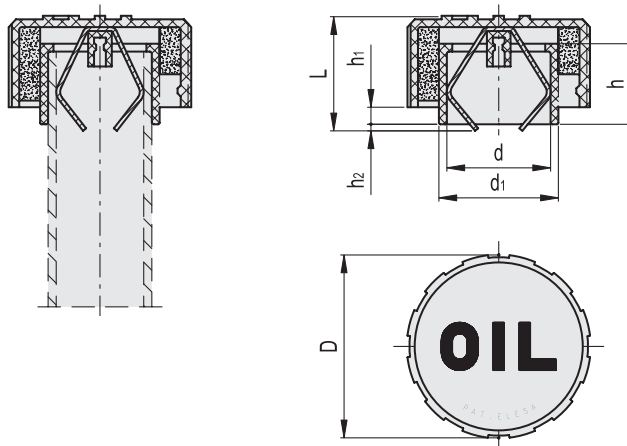
100°C.

**SPECIAL EXECUTIONS ON REQUEST**

- Cover, RAL 2004 orange, without "OIL" mark.
- Black cover with or without "OIL" mark.



ELESA Original design



Conversion Table	
1 mm = 0.039 inch	
D	
mm	inch
70	2.76

METRIC

Code	Description	d	D	L	d1	h	h1	h2	⚖
54761	SFN.70-PF+F	39.5	70	43	45.5	27.5	2.5	6.5	67