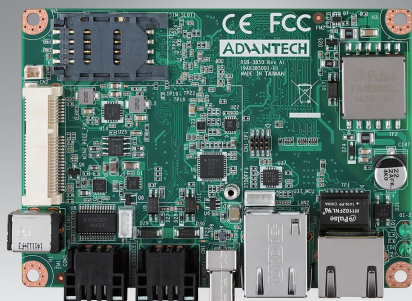


RSB-3850

Intel Quark x1000 2.5" SBC

Preliminary



Features

- Intel Quark x1000 Single core 400MHz
- On-board DDR3 800MHz 512MB
- Support 4 GPIO and 1 UART
- Support 2x 10/100 Ethernet and 1x MiniPCIe sockets
- Yocto Linux

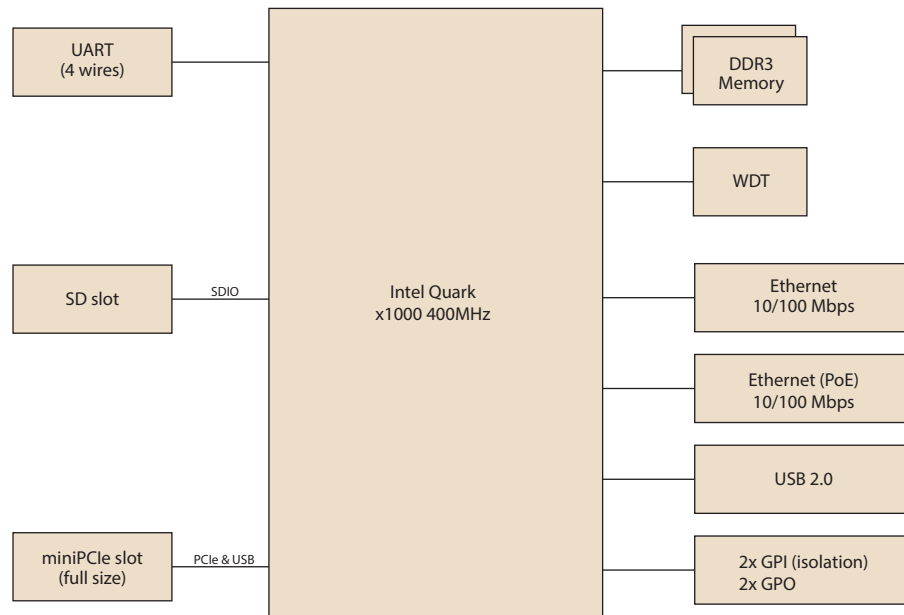
Introduction

RSB-3850 is an Advantech SBC powered by Intel Quark x1000 processor which is a sufficient performance and cost efficient solution for IoT application. RSB-3850 support multiple connections. Also, the PoE will be easy for user to installation and maintenance.

Specifications

Form Factor		2.5" SBC
Processor System	CPU	Intel Quark x1000 400MHz
	Technology	DDR3 800 MHz
	Capacity	On-board DDR3 512 MB
	Flash	4 MB SPI NOR Flash for Advantech boot loader
Ethernet	Chipset	onboard
	Speed	2 x 10/100 Mbps (PoE support)
WatchDog Timer		1 - 256 level
I/O	USB	1 USB 2.0 host
	SDIO	1 4-bit SD Socket
	Serial Port	1 UART (support 4 wires)
	CAN	-
	GPIO	2 pins for GPI (with isolation support) 2 pins for GPO
	LED	1 Power LED 1 LED with programmable ability
Expansion	Button	-
	Mini PCIe	1 x mini PCIe slot (PCIe and USB signals)
	SD Socket	1 x SD slot
Power	Power Supply Voltage	+12V
	Power Type	DC-in
	Power Consumption	Maximun 2.76W
Environment	Operational Temperature	0 - 60° C
	Operating Humidity	5%-95% Relative Humidity, non-condensing
SBC	Dimensions (L x W)	100 x 72 mm (3.9" x 2.8")
Operating System		Yocto Linux
Certifications		CE/FCC Class B

Block Diagram



Ordering Information

Part Number	CPU	Memory	Flash	LAN	GPIO	miniPCIe	Serial Port	CAN Bus	USB Host	USB OTG	SD	Operation temperature
RSB-3850CS-GPA1E	Intel Quark x1000 400MHz	DDR3 512MB	-	1x 10/100 1x 10/100 with PoE	4	1	1	-	1	-	1	0 ~ 60° C

Packing List

Part Number	Description	Quantity
1652006794-01	6 pin terminal block	2

Optional Accessories

Part Number	Description
SQF-ISDS1-2G-86E	SQFlash SD card SLC 2G (-40 ~ 85° C)
96PSA-A36W12R1	12V 36W PW adapter
170203183C	Power Cord 3P Europe 183cm
170203180A	Power Cord 3P UK 183cm
1700001524	Power Cord 3P UL 180cm
1700021565-01	Debug cable