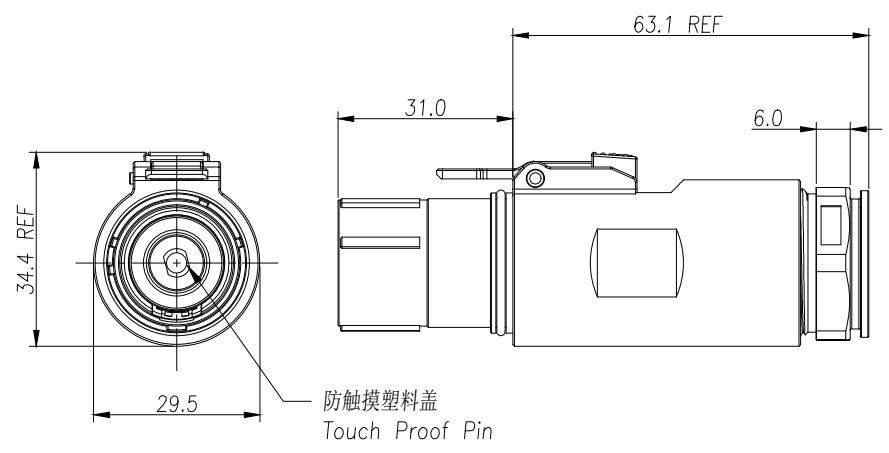
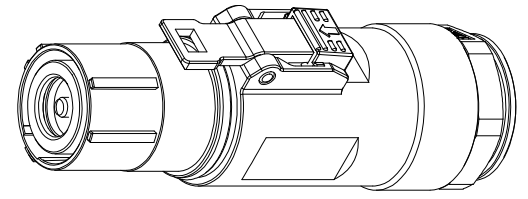
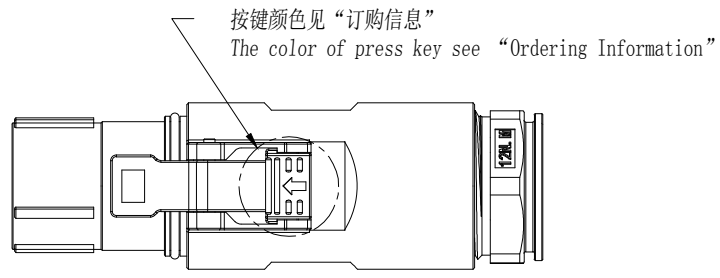
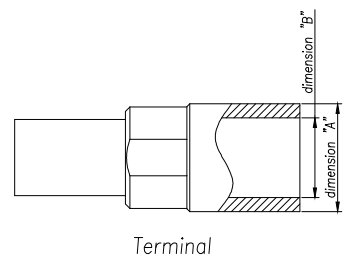


THIS DRAWING IS SUPPLIED FOR INFORMATION ONLY. DESIGN FEATURES, SPECIFICATIONS AND PERFORMANCE DATA SHOWN HEREON ARE THE PROPERTY OF THE AMPHENOL CORPORATION. NO RIGHTS OF REPRODUCTION ARE IMPLIED. ALL DIMENSIONS ARE SUBJECT TO NORMAL MANUFACTURING VARIATIONS.

REV		ZONE	ECO	DESCRIPTION	DATE	BY	APPR
1	--	--	--	INITIAL RELEASE	09/04/19	Fred	JL

Customer Drawing



Standard Part List (With HVIL)

P/N	Model NO.	Accepted Wire OD	outside-diameter of terminal (mm): "A"	inside-diameter of terminal (mm): "B"
AC-HA013434	PL18X-301-95-5	19.9±0.3	19.1±0.3	14.1±0.3
AC-HA013435	PL18Y-301-95-5			
AC-HA013436	PL18U-301-95-5			
AC-HA013437	PL18V-301-95-5			
AC-HA013442	PL18W-301-95-5			
AC-HA013443	PL18T-301-95-5			

Standard Part List (Without HVIL)

P/N	Model NO.	Accepted Wire OD	outside-diameter of terminal (mm): "A"	inside-diameter of terminal (mm): "B"
AC-HA013428	PL18X-300-95-5	19.9±0.3	19.1±0.3	14.1±0.3
AC-HA013429	PL18Y-300-95-5			
AC-HA013430	PL18U-300-95-5			
AC-HA013431	PL18V-300-95-5			
AC-HA013432	PL18W-300-95-5			
AC-HA013433	PL18T-300-95-5			

规格参数 (Spec.):

- 工作温度 Operating temperature: -40° C~+125° C.
- 额定电流 Current rating (Connector Only): 300A.
- 额定电压 Operating voltage: 1000 VDC.
- 耐电压 Dielectric withstanding voltage: 5000 VDC.
- 防护等级 Protection class: IP67 & IP2X.
- 电磁屏蔽 Shielding.
- 机械寿命 Mating cycle: 100 Min.
- 带自动二次锁扣 Automatic secondary lock.
- 带高压互锁 Electrical interlock (HVIL).
- 配对插座 Mating receptacle: See drawing "PL00-300"
- 推荐线缆 Recommended cable: HS 84100299.

订购信息 Ordering Information

PL18 X - 30 1 - 95 - 5

键位及颜色 Key & Color "X", 橙色 Orange "Y", 黑色 Black "U", 黄色 Yellow "V", 绿色 Green "W", 红色 Red "T", 蓝色 Blue	高压互锁 HVIL 0, 不带互锁 No HVIL 1, 带互锁 With HVIL	线缆大小 Cable Size "95"=95mm ²
--	--	---

	Amphenol Technical Products International GZ					PART NAME: PowerLok 10mm IPOS Plug Assy		
	第三角投影 THIRD ANGLE PROJECTION	页面 SHEET	幅面 SIZE	版次 REV.	比例 SCALE	DWG NO: PL48-300		
签名 SIGNATURE Fred		日期 DATE 09/04/19		UNLESS OTHERWISE SPECIFIED 1) All dimensions are in metric (mm). 2) Tolerances are as follows: 0 PL DEC ±1.00 1 PL DEC ±0.50 2 PL DEC ±0.20			CUST PART #: N/A	
制图 DRAWN		审核 CHECKED		批准 APPROVAL		Angles ±1°		CUST REV. -