



Features:

- Motor: External Rotor Capacitor-Run Induction Motor
- Motor Protection: Thermal Protected
- Bearing Type: Two Ball
- Connection: UL 1015 AWG 22, 360mm Wire Leads or Terminal
- Frame Material: Aluminum Alloy
- Impeller Material: Plastic UL94V-0, or Steel
- **IP54 Certified**
- Operating Temp:
Two Ball: -20°C~70°C
- Life Expectancy:
Two Ball: 50,000 Hours
Two Ball: 100,000 Hours (-L)



Fan-S Division



Model No.	Volt.	Freq.	Current	Power	Rated Speed	Maximum AirFlow		Maximum Static Pressure		Noise Level	Weight
	(VAC)	(Hz)	(A)	(W)	(rpm)	(CMM)	(CFM)	(InAq)	(mmAq)	(dB/A)	(g)
FDA2-17255NBH * ** F #	115	50/60	0.25/0.21	27.0/25.0	2700/3100	5.95/6.80	210/240	0.492/0.531	12.5/13.5	57.0/61.0	840
FDA2-17255QBH * ** F #	230	50/60	0.11/0.12	26.0/27.0	2700/3100	5.95/6.80	210/240	0.492/0.531	12.5/13.5	57.0/61.0	840

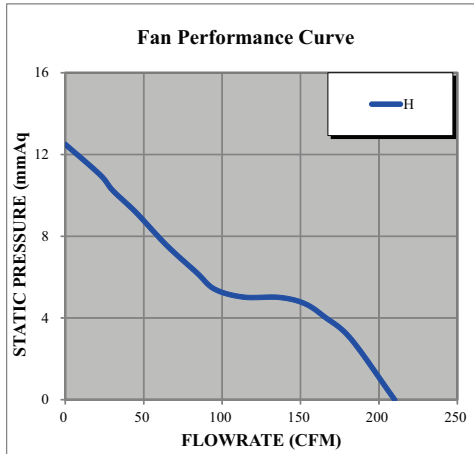
* Indicates "W" (Wire Leads) or "T" (Terminal)

** Indicates "3" (Metal Frame, Plastic Impeller) or "4" (Metal Frame and Impeller)

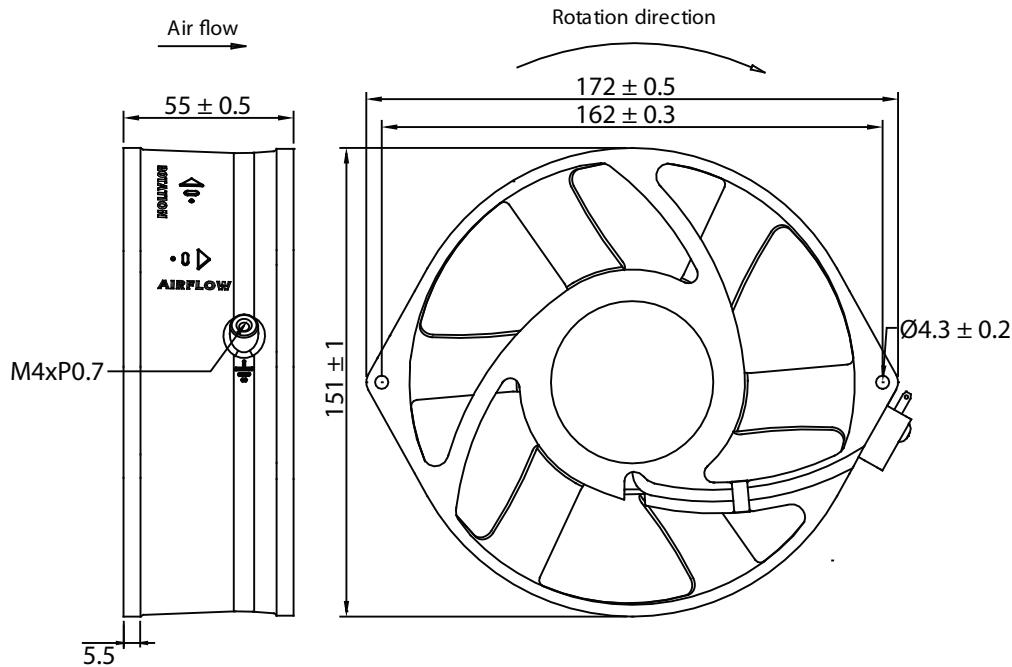
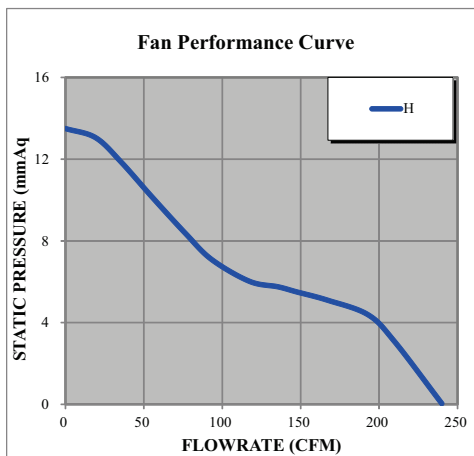
Indicates "-L" (100,000 Hours Life Expectancy) or Leave Blank (50,000 Hours Life Expectancy)

Noise is measured at the distance of one (1) meter from the axis of intake.

50Hz



60Hz



ISO-9001 Company



www.Qualtekusa.com