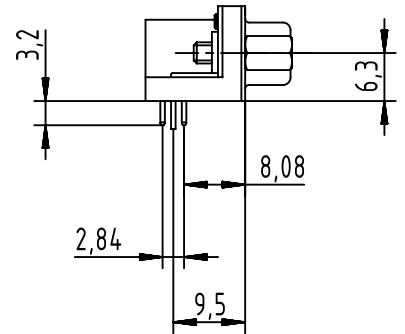
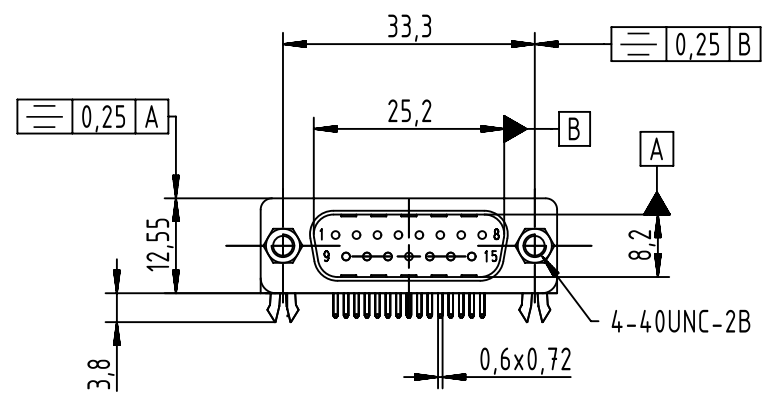
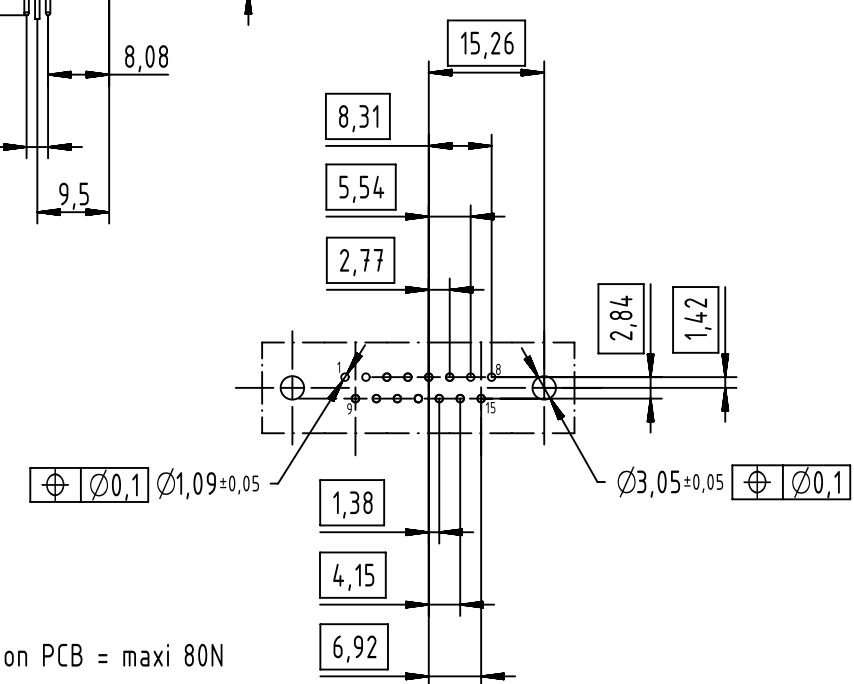
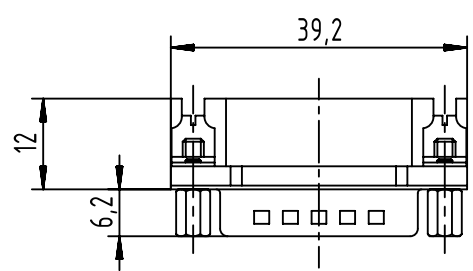


1 2 3 4 5 6

A  
B  
C  
D



PC-Board layout  
view component side  
thickness 1,6mm



Connector insertion force on PCB = maxi 80N

All Dimensions in mm Original Size DIN A4		Scale 1:1	Free size tol.			Ref.
09682635813	S4	All rights reserved Department EC PD - FR HARTING Electronics GmbH D-32339 Espelkamp	Created by DOUGE	Inspected by BAGDIKIAN	Standardisation HOFFMANN	Sub.
09682637813	PL3		Title D-Sub STD 15P male angled board locks			Date 2013-12-10
Part number	Performance level		Type TB			State Final Release
			Number 0968263X813			Doc-Key / ECM-Nr. 100539978/UGD/001/B 500000069293
						Rev. B
						Page 1/1