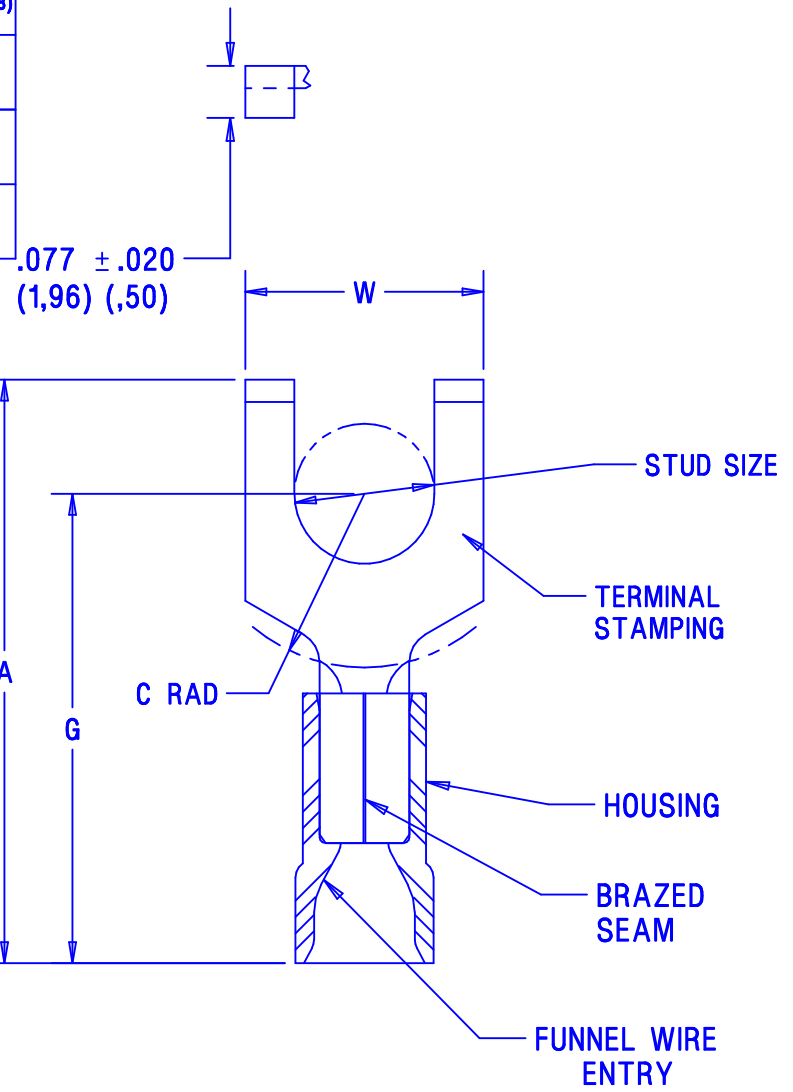


| Part number |                 | STUD SIZE | Maximum insulation diameter | DIMENSIONS in.   |                    |              |                  |
|-------------|-----------------|-----------|-----------------------------|------------------|--------------------|--------------|------------------|
| Prefix      | PK              |           |                             | A $\pm .03$ (.8) | W $\pm .010$ (.25) | C MIN        | G $\pm .03$ (.8) |
| PV18-6FF    | -C<br>-M<br>-MY | #6        | .150<br>(3,81)              | .87<br>(22,1)    | .28<br>(7,1)       | .19<br>(4,8) | .71<br>(18,0)    |
| PV18-8FF    | -C<br>-M<br>-MY | #8        |                             | .94<br>(23,9)    | .31<br>(7,9)       | .23<br>(5,8) | .75<br>(19,1)    |
| PV18-10FF   | -C<br>-M<br>-MY | #10       |                             | .93<br>(23,6)    | .35<br>(8,9)       | .23<br>(5,8) | .75<br>(19,1)    |

Notes:

Used for:

- A. 600 max voltage rating
  - B. #22-16 AWG Solid or stranded copper wire range, 221°F (105°C) max temp rating with CT-1551, CT-1550 installation tools.
  - C. #22-18 AWG Solid or stranded copper wire range, 167°F (75°C) max temp rating with CT-100 installation tool
2. Wire strip length:  $5/16^{+1/32}$  (7.9  $^{+0.8}_{-0}$ )
  3. Package Quantity (Suffix to basic part no.):
    - A. Standard -C=100
    - B. Bulk -M=1000, -MY=1000
  4. Material:
    - A. Stamping: .032 (.81) thick tin plated copper
    - B. Housing: Red vinyl
  5. Dimensions in brackets are in millimeters



LISTED  
587H  
E52164



CERTIFIED  
LR31212

|     |       |      |     |   |         |     |      |  |
|-----|-------|------|-----|---|---------|-----|------|--|
| 05  | 5/05  | JHNU |     | ADDED PACKAGING CODE "MY" TO DRAWING.                       |         |     |      |  |
| 04  | 1/01  | RM   | SKB | FILESPEC WAS N41574AA_PCD_03                                | 08933   | CCH | JAC  |  |
| 03  | 11/00 | EJS  |     | MAX. WIRE INSUL. DIA. WAS .140, REMOVED TOOLS CT-500,CT-550 | 08839   |     |      |  |
| 02  | 5/99  | JKD  | SKB | ADDED CT-1551, & CT-1550 TOOLS                              | 07632   | TRO | JCJ  |  |
| 01  | 11/94 | MS   |     | ADDED UL/CSA APPROVAL SYMBOLS                               | 02638   | JJM | LA   |  |
| REV | DATE  | BY   | CHK | DESCRIPTION   | ECN NO. | PM  | CUST |  |

A41574\_05



CORP.

TINLEY PARK, ILLINOIS

VINYL INSULATED, #22-18 BARREL  
FLANGED FORKS

|          |    |       |  |       |      |             |        |
|----------|----|-------|--|-------|------|-------------|--------|
| DRAWN BY | MS | CHK'D |  | SCALE | NONE | DRAWING NO. | A41574 |
|----------|----|-------|--|-------|------|-------------|--------|