

SIDE HINGE



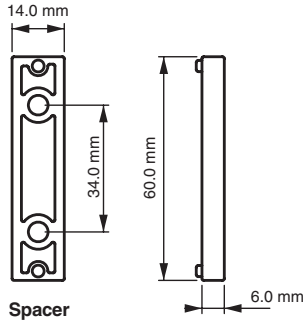
Specifications

- Material: Zinc Alloy (Zamak) DIN-EN 1774-ZnAl4Cu1
- Pin: Stainless steel

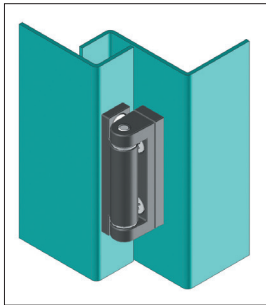
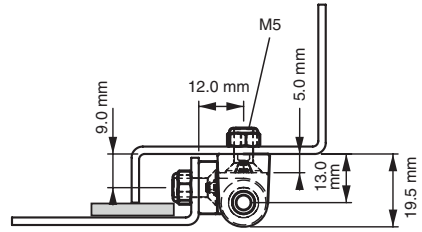
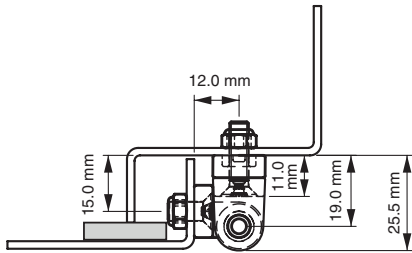
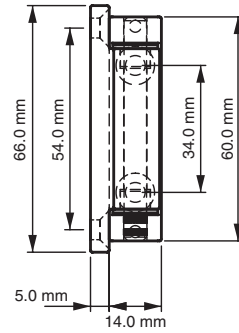
Features

- Stainless steel hinge pin
- Applications: Electric panels, machinery covers

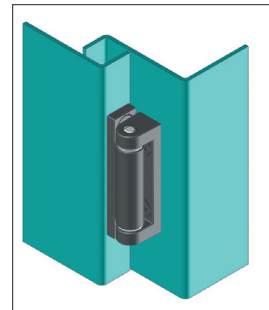
Spacer version
593 1-F-25



Standard version
593 1-F-19



Hinge Rotation Angle



Note: Bolts are not supplied

Item Number	Hinge Rotation	Material	Finish	Version
5931125	180°	Zinc Alloy	Chrome	Spacer
5931225	180°	Zinc Alloy	Chrome	Spacer
5931119	180°	Zinc Alloy	Black	Standard
5931219	180°	Zinc Alloy	Black	Standard