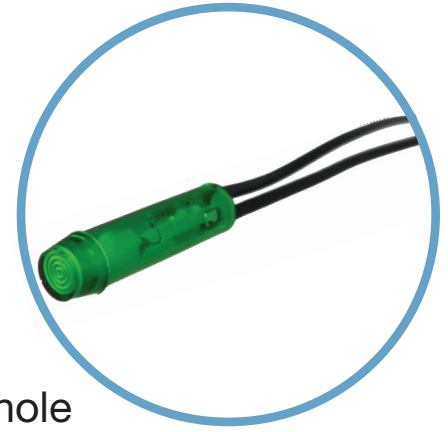




34 Series Indicator Light for 0.375" (9.5mm) Diameter Hole



Round indicator lights with internal cylindrical flat top lens and housing in one piece for 3/8" panel mounting hole

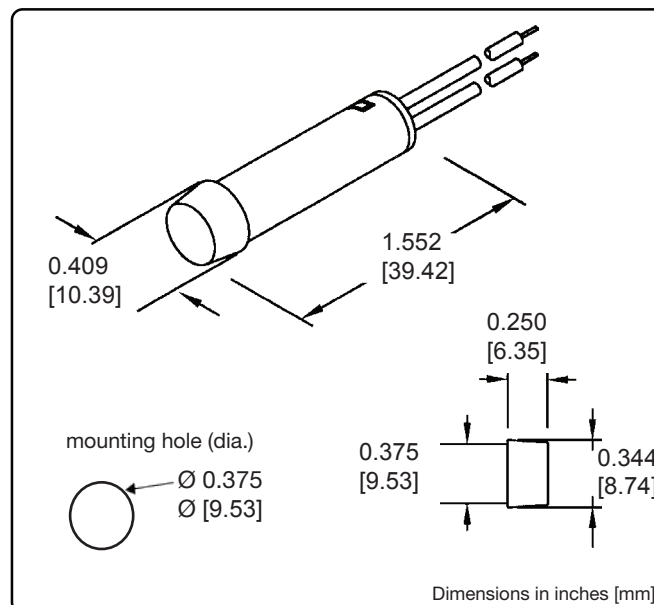
Applications

- panel indication
- electrical panels
- entertainment
- industrial
- appliances
- displays

Key features

- 3/8" (0.375") diameter mounting hole
- one piece housing with integral cylindrical flat top lens, available in 6 colors: red, green, blue, white, clear and amber
- AC or DC volts options: incandescent (6, 14 and 28V) or neon (125 and 250 V)
- up to 25,000 hours of lifetime
- wire leads: 6" (152.4mm), #18 AWG, bare cooper, PVC insulated, black, UL/CSA rated 105°C, 600V, UL 1015, stripped 1/2"
- UL listed: File E20356

Dimensions



Product specifications and ordering data

Material	
One piece lens/housing	Nylon Zytel 6/6
Wire leads	Bare Cooper, PVC, 18-11C UL1015-1230, 105°C 600V

Installation specification	
Mounting hole	0.375" (9.525mm)
Panel thickness (minimum)	0.020" (0.508mm)
Wire leads	#18 AWG, 6" length

Material	Lens Color	Lamp Type	Luminosity	Voltage (V)	P (W) or I (A)	Life (hours)
34-0581	Red	Neon	400 mcd	125	1/3W	25,000
34H-0581	Red	Neon	200 mcd	250	1/3W	25,000
34G1-0581	Red	Incandescent	550 mcd	6	.20A	5,000
34G3-0581	Red	Incandescent	500 mcd	14	.10A	10,000
34G18-0581	Red	Incandescent	300 mcd	28	.04A	7,000
34-0582	Green	Neon	400 mcd	125	1/3W	25,000
34H-0582	Green	Neon	200 mcd	250	1/3W	25,000
34G1-0582	Green	Incandescent	550 mcd	6	.20A	5,000
34G3-0582	Green	Incandescent	500 mcd	14	.10A	10,000
34G18-0582	Green	Incandescent	300 mcd	28	.04A	7,000
34-0583	Amber	Neon	400 mcd	125	1/3W	25,000
34H-0583	Amber	Neon	200 mcd	250	1/3W	25,000
34G1-0583	Amber	Incandescent	550 mcd	6	.20A	5,000
34G3-0583	Amber	Incandescent	500 mcd	14	.10A	10,000
34G18-0583	Amber	Incandescent	300 mcd	28	.04A	7,000
34-0584	Blue	Neon	400 mcd	125	1/3W	25,000
34H-0584	Blue	Neon	200 mcd	250	1/3W	25,000
34G1-0584	Blue	Incandescent	550 mcd	6	.20A	5,000
34G3-0584	Blue	Incandescent	500 mcd	14	.10A	10,000
34G18-0584	Blue	Incandescent	300 mcd	28	.04A	7,000
34-0585	White	Neon	400 mcd	125	1/3W	25,000
34H-0585	White	Neon	200 mcd	250	1/3W	25,000
34G1-0585	White	Incandescent	550 mcd	6	.20A	5,000
34G3-0585	White	Incandescent	500 mcd	14	.10A	10,000
34G18-0585	White	Incandescent	300 mcd	28	.04A	7,000
34-0587	Clear	Neon	400 mcd	125	1/3W	25,000
34H-0587	Clear	Neon	200 mcd	250	1/3W	25,000
34G1-0587	Clear	Incandescent	550 mcd	6	.20A	5,000
34G3-0587	Clear	Incandescent	500 mcd	14	.10A	10,000
34G18-0587	Clear	Incandescent	300 mcd	28	.04A	7,000

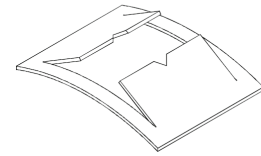
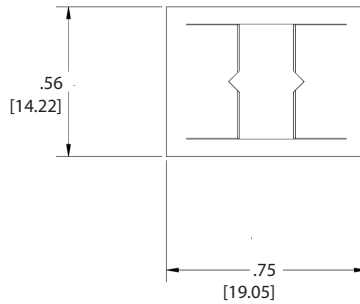
Accessory options

Optional push-on speed nut, which secures the indicator in place

Part Number 8700431688

Description: Speednut 3400-6

- One piece, self-locking, heat-treated, spring-steel fastener that replace threaded nut, lock washer or spanner washer.
- Eliminates timeconsuming assembly operations.
- Fast and easy to apply, the speed nut fastener provides maximum holding power at minimum cost per fastener.
- It does not shake loose from vibration, yet can be easily loosened without worry about rust-frozen screw threads.
- For smaller components where space is premium.
- Requires less torque than standard hex-nuts.
- Can be installed prior to painting processes so threads won't fill.



Dimensions in inches [mm]

Material	
Speed Nut (one piece)	Spring Steel

Installation Specification	
Stud Size	0.375" (9.525mm)

Compliance & approvals

