

FEATURES

- Maximum Initial Tolerance: 0.2%
- *Guaranteed* Temperature Stability
- Maximum 0.6Ω Dynamic Impedance
- Wide Operating Current Range
- Directly Interchangeable with LM136 for Improved Performance
- No Adjustments Needed for Minimum Temperature Coefficient
- Available in 8-Lead SO and MSOP Packages and 3-Lead TO-92 Package

APPLICATIONS

- Reference for 5V Systems
- 8-Bit A/D and D/A Reference
- Digital Voltmeters
- Current Loop Measurement and Control Systems
- Power Supply Monitor

DESCRIPTION

The LT[®]1009 is a precision trimmed 2.5V shunt regulator diode featuring a maximum initial tolerance of only ±5mV. The low dynamic impedance and wide operating current range enhances its versatility. The 0.2% reference tolerance is achieved by on-chip trimming which not only minimizes the initial voltage tolerance but also minimizes the temperature drift.

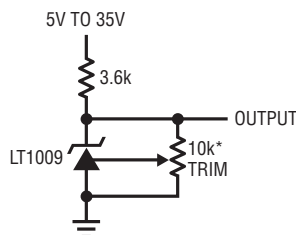
Even though no adjustments are needed with the LT1009, a third terminal allows the reference voltage to be adjusted ±5% to calibrate out system errors. In many applications, the LT1009 can be used as a pin-to-pin replacement of the LM136 and the external trim network eliminated.

For a lower drift 2.5V reference, see the LT1019 data sheet.

LT, LT, LTC and LTM are registered trademarks of Linear Technology Corporation. All other trademarks are the property of their respective owners.

TYPICAL APPLICATION

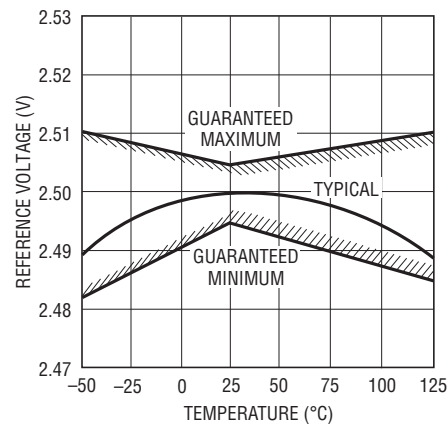
2.5V Reference



* DOES NOT AFFECT TEMPERATURE COEFFICIENT. ±5% TRIM RANGE

1009 TA01

Output Voltage



1009 TA02

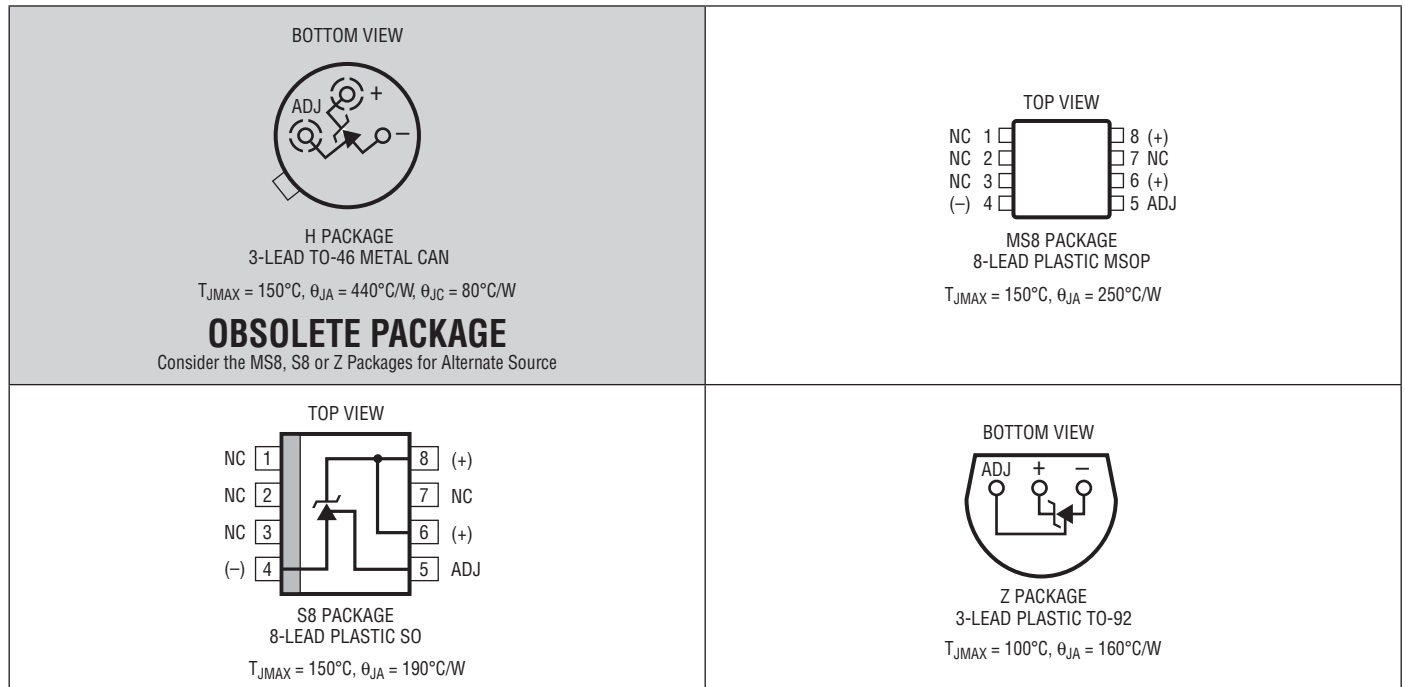
LT1009 Series

ABSOLUTE MAXIMUM RATINGS (Note 1)

Reverse Current 20mA
 Forward Current 10mA
 Storage Temperature Range -65°C to 150°C
 Lead Temperature (Soldering, 10 sec) 300°C

Operating Temperature Range
 LT1009/LT1009C 0°C to 70°C
 LT1009I -40°C to 85°C
 LT1009M (**OBSOLETE**) -55°C to 125°C

PIN CONFIGURATION



ORDER INFORMATION

LEAD FREE FINISH	TAPE AND REEL	PART MARKING	PACKAGE DESCRIPTION	TEMPERATURE RANGE
LT1009MH#PBF	LT1009MH#TRPBF		3-Lead TO-46 Metal Can	-55°C to 125°C
LT1009CH#PBF	LT1009CH#TRPBF		3-Lead TO-46 Metal Can	0°C to 70°C
LT1009CMS8#PBF	LT1009CMS8#TRPBF	LTQZ	8-Lead Plastic MSOP	0°C to 70°C
LT1009S8#PBF	LT1009S8#TRPBF	1009	8-Lead Plastic SO	0°C to 70°C
LT1009IS8#PBF	LT1009IS8#TRPBF	1009I	8-Lead Plastic SO	-40°C to 85°C
LT1009CZ#PBF	LT1009CZ#TRPBF		3-Lead Plastic TO-92	0°C to 70°C
LT1009IZ#PBF	LT1009IZ#TRPBF		3-Lead Plastic TO-92	-40°C to 85°C

ORDER INFORMATION

LEAD BASED FINISH	TAPE AND REEL	PART MARKING	PACKAGE DESCRIPTION	TEMPERATURE RANGE
LT1009MH	LT1009MH#TR		3-Lead TO-46 Metal Can	-55°C to 125°C
LT1009CH	LT1009CH#TR		3-Lead TO-46 Metal Can	0°C to 70°C
LT1009CMS8	LT1009CMS8#TR	LTQZ	8-Lead Plastic MSOP	0°C to 70°C
LT1009S8	LT1009S8#TR	1009	8-Lead Plastic SO	0°C to 70°C
LT1009IS8	LT1009IS8#TR	1009I	8-Lead Plastic SO	-40°C to 85°C
LT1009CZ	LT1009CZ#TR		3-Lead Plastic TO-92	0°C to 70°C
LT1009IZ	LT1009IZ#TR		3-Lead Plastic TO-92	-40°C to 85°C

Consult LTC Marketing for parts specified with wider operating temperature ranges.

For more information on lead free part marking, go to: <http://www.linear.com/leadfree/>

For more information on tape and reel specifications, go to: <http://www.linear.com/tapeandreel/>

AVAILABLE OPTIONS

TEMPERATURE	ACCURACY (%)	TEMPERATURE COEFFICIENT (ppm/°C)	PACKAGE STYLE			
			TO-46 (H) OBSOLETE	MSOP-8 (MS8)	SO-8 (S8)	TO-92 (Z)
0°C to 70°C	0.20	25	LT1009CH	LT1009CMS8	LT1009S8	LT1009CZ
	0.40	25				
-40°C to 85°C	0.20	35			LT1009IS8	LT1009IZ
	0.40	35				
-55°C to 125°C	0.20	35	LT1009MH			

ELECTRICAL CHARACTERISTICS

The ● denotes the specifications which apply over the full operating temperature range, otherwise specifications are at $T_A = 25^\circ\text{C}$.

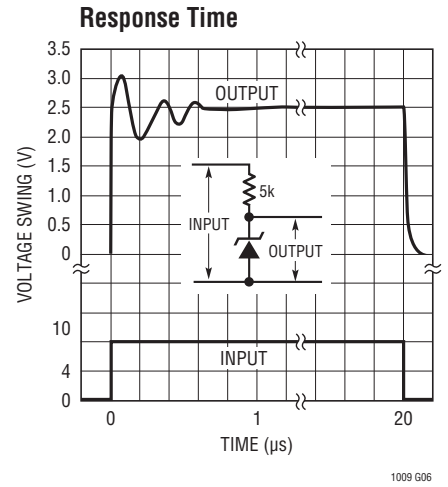
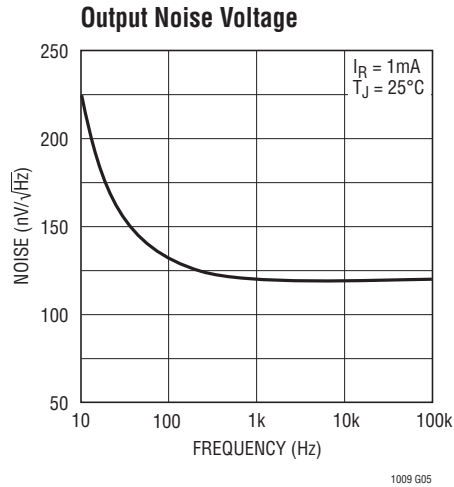
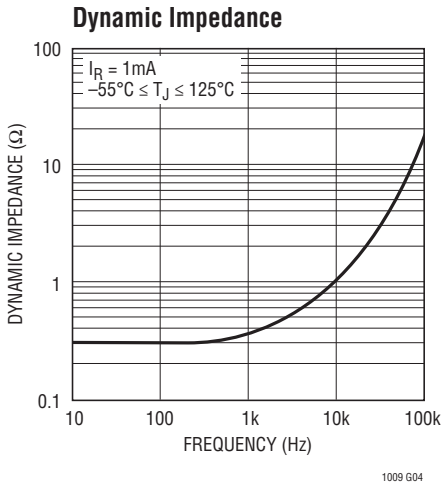
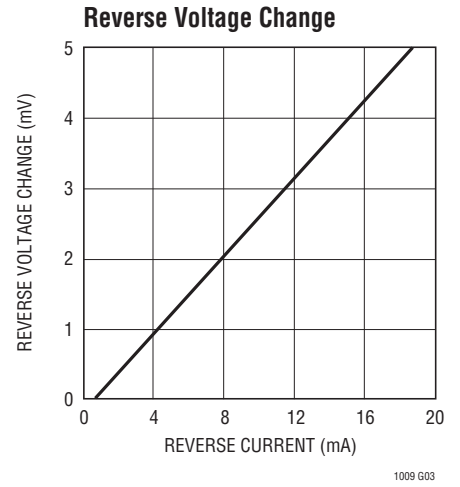
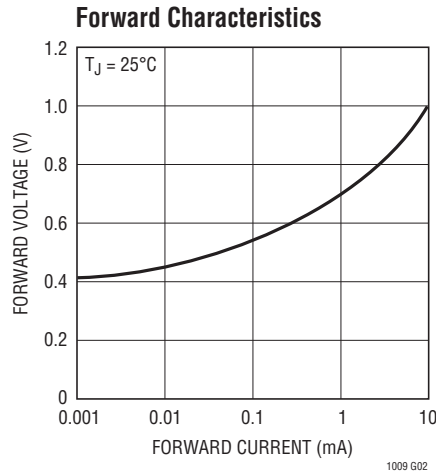
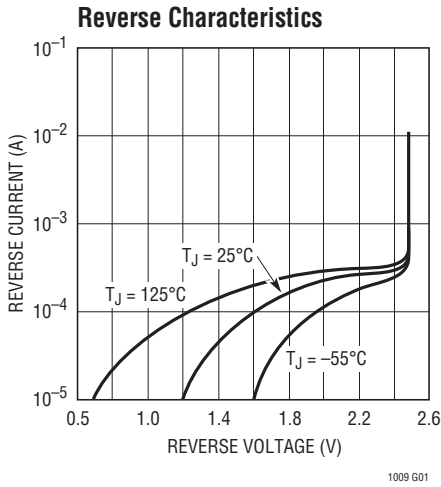
SYMBOL	PARAMETER	CONDITIONS	LT100M			LT1009I			LT1009/LT1009C			UNITS
			MIN	TYP	MAX	MIN	TYP	MAX	MIN	TYP	MAX	
V_Z	Reverse Breakdown Voltage	$T_A = 25^\circ\text{C}$, $I_R = 1\text{mA}$ H, Z Pkg MS, S Pkg	2.495	2.500	2.505	2.495	2.500	2.505	2.495	2.500	2.505	V V
$\frac{\Delta V_Z}{\Delta I_R}$	Reverse Breakdown Change with Current	$400\mu\text{A} \leq I_R \leq 10\text{mA}$		2.6 3.0	6 10		2.6 3.0	10 12		2.6 3.0	10 12	mV mV
r_Z	Reverse Dynamic Impedance	$I_R = 1\text{mA}$		0.2 0.4	0.6 1.0		0.2 0.4	1.0 1.4		0.2 0.4	1.0 1.4	Ω Ω
	Temperature Stability	$T_{\text{MIN}} \leq T_A \leq T_{\text{MAX}}$			15			15		1.8	4	mV
$\frac{\Delta V_Z}{\Delta \text{Temp}}$	Average Temperature Coefficient (Notes 2, 3)	$0^\circ\text{C} \leq T_A \leq 70^\circ\text{C}$ $-40^\circ\text{C} \leq T_A \leq 85^\circ\text{C}$ $-55^\circ\text{C} \leq T_A \leq 125^\circ\text{C}$		15	25		15	25 35		15	25	ppm/°C ppm/°C ppm/°C
$\frac{\Delta V_Z}{\Delta \text{Time}}$	Long-Term Stability	$T_A = 25^\circ\text{C} \pm 0.1^\circ\text{C}$, $I_R = 1\text{mA}$		20			20			20		ppm/kHr

Note 1: Stresses beyond those listed under Absolute Maximum Ratings may cause permanent damage to the device. Exposure to any Absolute Maximum Rating condition for extended periods may affect device reliability and lifetime.

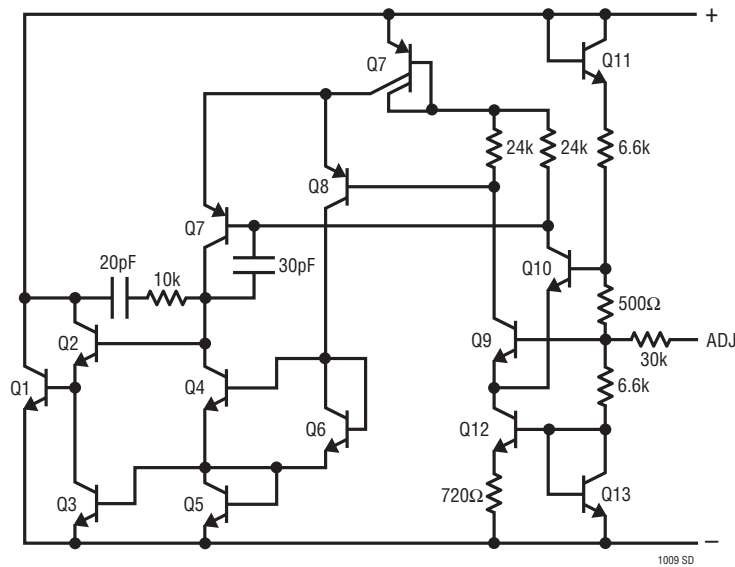
Note 2: Guaranteed by Design.

Note 3: Average temperature coefficient is defined as the total voltage change divided by the specified temperature change.

TYPICAL PERFORMANCE CHARACTERISTICS

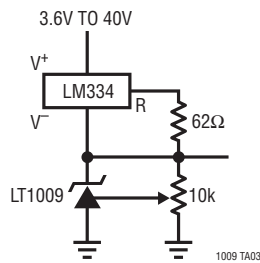


SCHEMATIC DIAGRAM

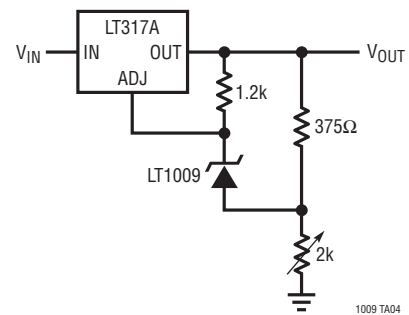


TYPICAL APPLICATIONS

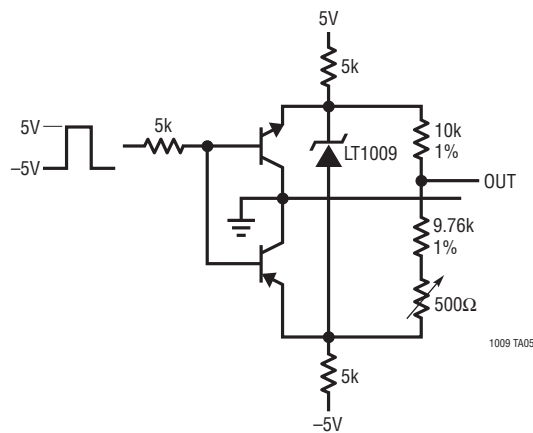
Wide Supply Range, Adjustable Reference



Low Temperature Coefficient Power Regulator

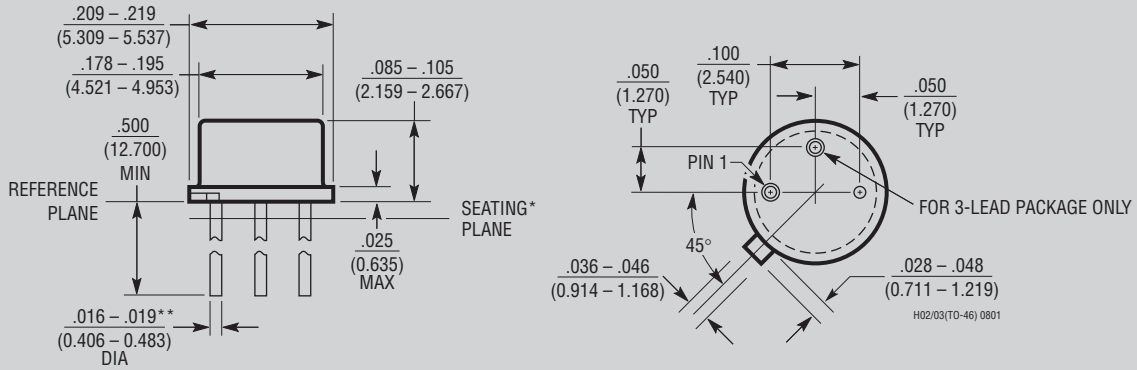


Switchable $\pm 1.25V$ Bipolar Reference



PACKAGE DESCRIPTION

H Package 2-Lead and 3-Lead TO-46 Metal Can (Reference LTC DWG # 05-08-1340)

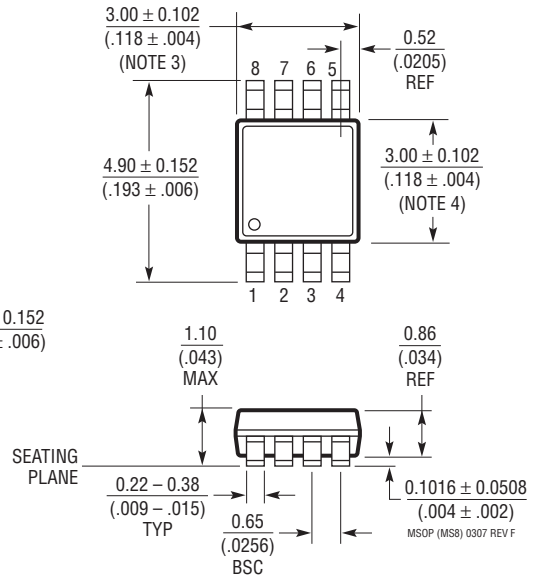
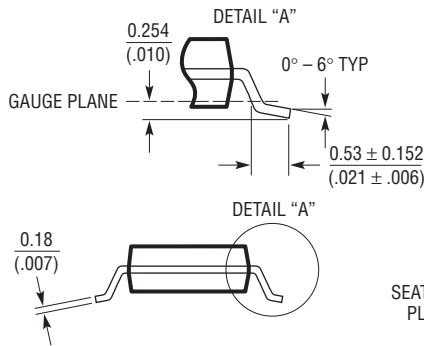
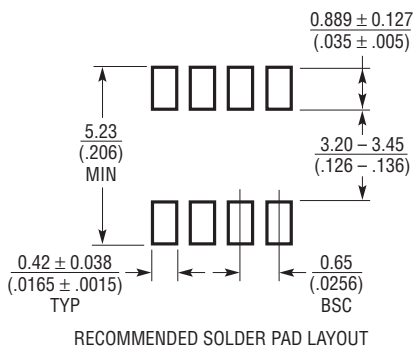


* LEAD DIAMETER IS UNCONTROLLED BETWEEN THE REFERENCE PLANE AND $.050^\circ$ BELOW THE REFERENCE PLANE

** FOR SOLDER DIP LEAD FINISH, LEAD DIAMETER IS $.016 - .024$ (0.406 - 0.610)

OBSOLETE PACKAGE

MS8 Package 8-Lead Plastic MSOP (Reference LTC DWG # 05-08-1660)

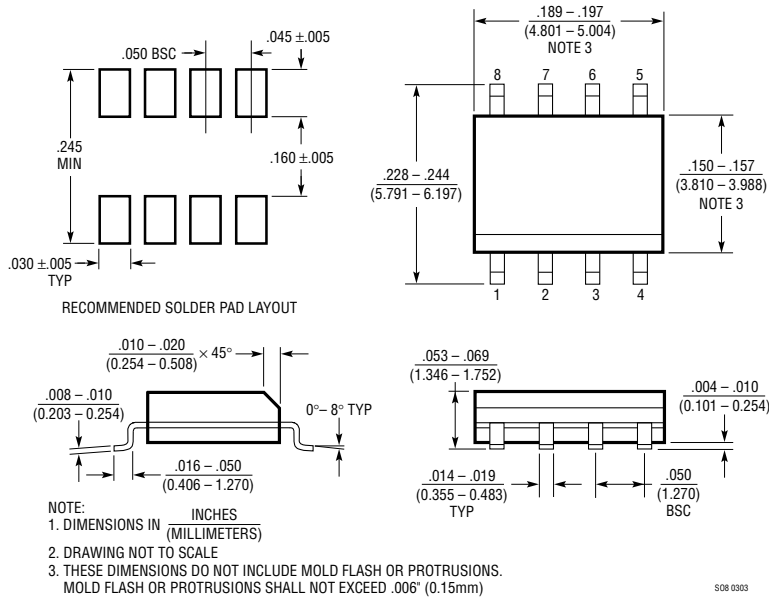


NOTE:

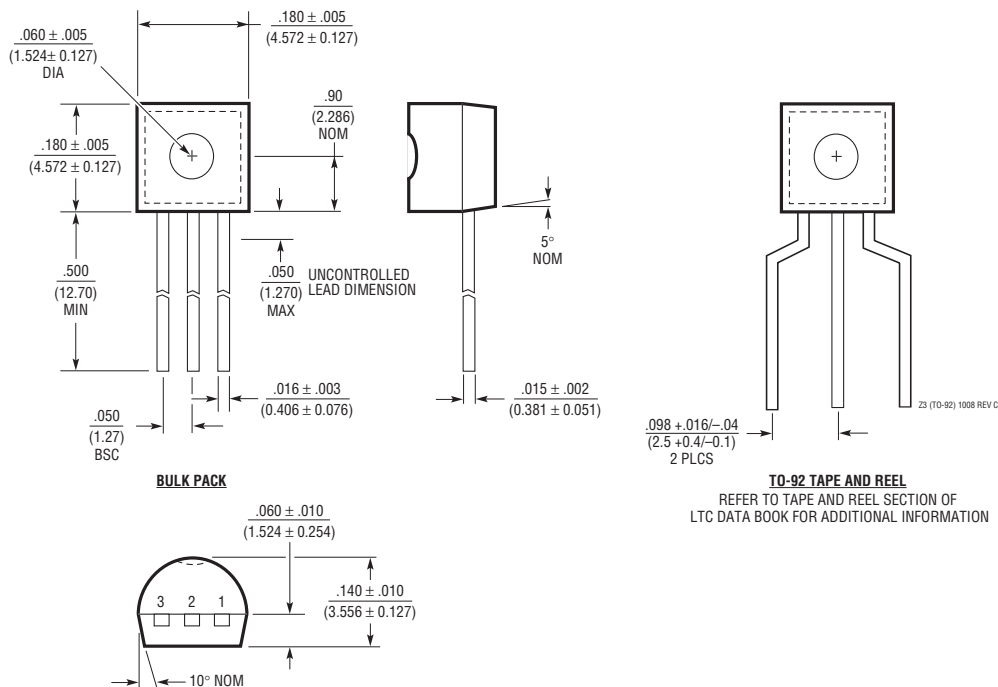
1. DIMENSIONS IN MILLIMETER/(INCH)
2. DRAWING NOT TO SCALE
3. DIMENSION DOES NOT INCLUDE MOLD FLASH, PROTRUSIONS OR GATE BURRS.
MOLD FLASH, PROTRUSIONS OR GATE BURRS SHALL NOT EXCEED 0.152mm (.006") PER SIDE
4. DIMENSION DOES NOT INCLUDE INTERLEAD FLASH OR PROTRUSIONS.
INTERLEAD FLASH OR PROTRUSIONS SHALL NOT EXCEED 0.152mm (.006") PER SIDE
5. LEAD COPLANARITY (BOTTOM OF LEADS AFTER FORMING) SHALL BE 0.102mm (.004") MAX

PACKAGE DESCRIPTION

S8 Package 8-Lead Plastic Small Outline (Narrow .150 Inch) (Reference LTC DWG # 05-08-1610)

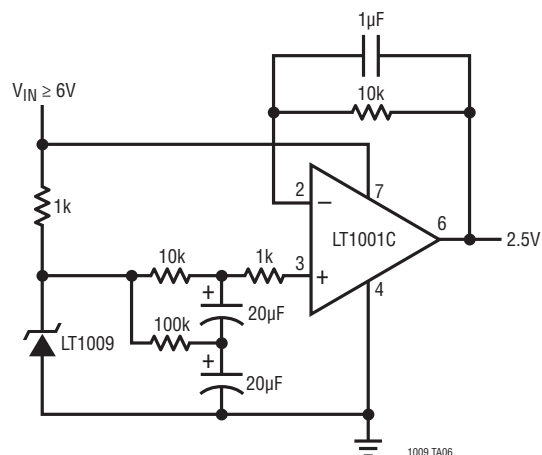


Z Package 3-Lead Plastic TO-92 (Similar to TO-226) (Reference LTC DWG # 05-08-1410)



TYPICAL APPLICATION

Low Noise 2.5V Buffered Reference



RELATED PARTS

PART NUMBER	DESCRIPTION	COMMENTS
LT1019	Precision Series Reference	Bandgap, 0.05%, 5ppm/°C
LT1236	Precision Series Reference	5V and 10V Zener-Based 5ppm/°C, SO-8 Package
LTC®1798	Micropower Low Dropout Series Reference	0.15% Max, 6.5µA Supply Current
LT1460	Micropower Precision Series Reference	Bandgap, 130µA Supply Current 10ppm/°C, Available in SOT-23
LT1634	Micropower Precision Shunt Voltage Reference	Bandgap 0.05%, 10ppm/°C, 10µA Supply Current
LT1461	Micropower Precision Series Reference	0.04% Max, 3ppm/°C Max, 35µA Supply Current