



RJ45 ADAPTERS AND CAT5 SYSTEM CABLES

NX SYSTEM ACCESSORIES

FEATURES

- Supports NX Distributed Intelligence™ Lighting Controls
- Plenum rated
- Low voltage device: 24 VDC
- Five-year limited warranty



CONTROL TECHNOLOGY



RELATED PRODUCTS

- ⌘ [NX Occupancy/Vacancy Sensors](#)
- ⌘ [NX Daylight Sensor](#)
- ⌘ [NX Network Bridge Module](#)
- ⌘ [NX Room Controller](#)

SPECIFICATIONS

CONSTRUCTION

- Sabic Noryl HS2000X
- Gray
- White (NXRJSPLITTER)
- 0.8 oz (22.7 g)
- RJ45ADAPTER Dimensions: 2.17" L (55.12mm) x 1.10" W (27.94mm) x 1.0" H (25.40mm)
- NXRJSPLITTER Dimensions: 1.32" L (33.53mm) x 1.49" W (37.85mm) x 0.83" H (21.09mm)

MOUNTING

- RJ45ADAPTER may be mounted using a zip-tie (not included) or with a #8 or #10 mounting screw (not included)

MOUNTING (CONTINUED)

- NXRJSPLITTER is to be installed in an Electrical Junction Box (not included)

ELECTRICAL

- Max cable length supported: 300 ft from device to control module
- Class 2 device
- 4 Terminal connectors
 - Red: +24V
 - Blue: Occupancy Sensor Input
 - Yellow: Photocell/Daylight Sensor Input
 - Black: Common

CERTIFICATIONS

- cULus listed
- RJ45ADAPTER is UL2043 compliant (Plenum rated)
- NXRJSPLITTER is not Plenum rated
- This product qualifies as "designated country construction material" per FAR 52.225-11 Buy American-Construction Materials under Trade Agreements effective 5/27/2020. See [Buy American Solutions](#).

WARRANTY

- 5 year limited
- See [HCS Standard Warranty](#) for additional information

ORDERING GUIDE

Example: RJ45ADAPTER-T

CATALOG #

RJ45ADAPTER		TAA	
Model			
RJ45ADAPTER	RJ45 Adapter for NX Occupancy and Daylight Sensors	Blank	Standard Product
		T	TAA

RJ45 ADAPTERS AND CAT5 SYSTEM CABLES

NX SYSTEM ACCESSORIES

ORDERING GUIDES

Example: NXRJSPLITTER

CATALOG #

NXRJSPLITTER

Model

NXRJ45SPLITTER' NX RJ45 Splitter 2-way female for Cat5, used with NX Occupancy Sensors and NX Daylight Sensors



NXRJ45SPLITTER

Notes:

- 1 Not Plenum rated - To be installed in a sealed junction box

Example: CAT5-3IN-OR-PLENUM

CATALOG #

Model/Description

CAT5-3IN-OR-PLENUM	Pre-terminated Cat5 Cable, Plenum Rated, 3in, Orange
CAT5-3F-OR-PLENUM	Pre-terminated Cat5 Cable, Plenum Rated, 3ft, Orange
CAT5-10F-OR-PLENUM	Pre-terminated Cat5 Cable, Plenum Rated, 10ft, Orange
CAT5-25F-OR-PLENUM	Pre-terminated Cat5 Cable, Plenum Rated, 25ft, Orange
CAT5-50F-OR-PLENUM	Pre-terminated Cat5 Cable, Plenum Rated, 50ft, Orange
CAT5-100F-OR-PLENUM	Pre-terminated Cat5 Cable, Plenum Rated, 100ft, Orange

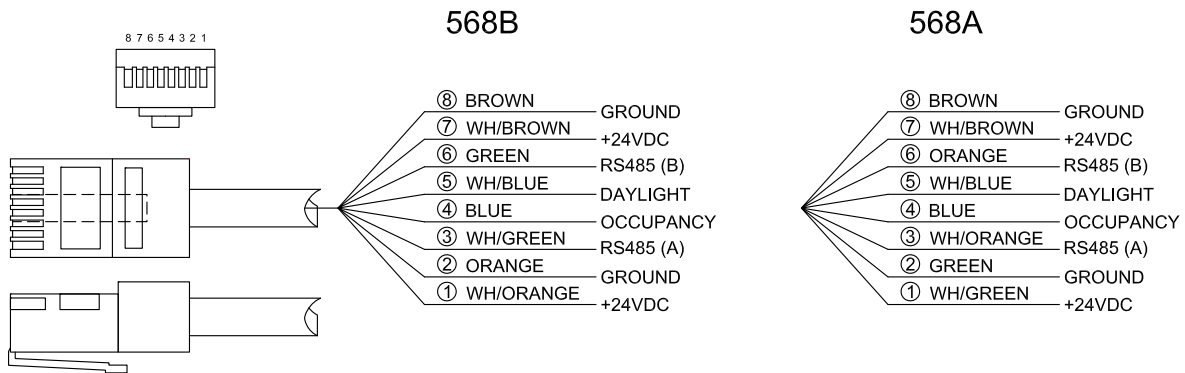


CAT5-XX-OR-PLENUM

CaT5 Cable Pinout

When cutting Cat5 cable to specific lengths, the cable pin out is as follows:

Pin No.	Wire Color
1	White with Orange stripe
2	Orange
3	White with Green stripe
4	Blue
5	White with Blue stripe
6	Green
7	White with Brown stripe
8	Brown



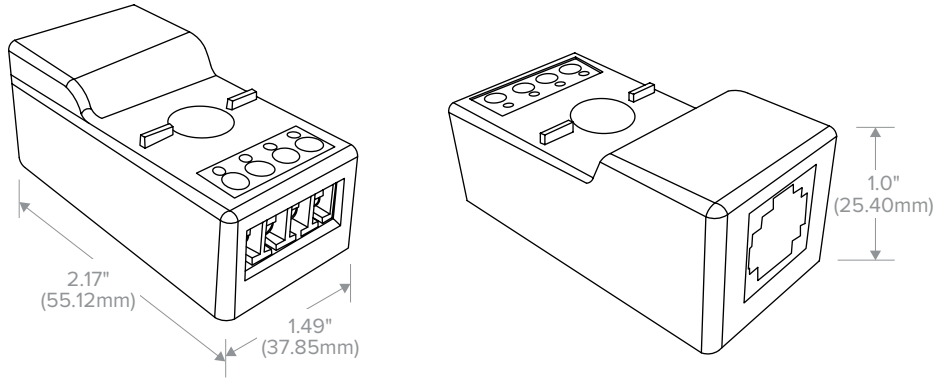
Note:

The NX SmartPORT™ Connector pin numbering scheme matches that of the standard RJ45 connector system. However, the pin assignment is different. There are two standard Cat5 color codes, 568A and 568B. HCS recommends using 568B but there may be cases in the field where the cable is 568A. It is important to match the colors and wire pairings on both sides of the cable.

RJ45 ADAPTERS AND CAT5 SYSTEM CABLES

NX SYSTEM ACCESSORIES

DIMENSIONS



ADDITIONAL INFORMATION

Wiring Diagrams

