

# Double Contact Candelabra Bayonet

## 12 SERIES

- DOUBLE CONTACT CANDELABRA BAYONET NON-GROUNDED LAMPHOLDERS
- 6" WIRE LEADS • ZINC PLATED STEEL SHELL
- MAXIMUM RATING: 75 WATTS, 125 VOLTS
- UL LISTED • UL FILE E20356

### Overview

The 12 Series lampholders are constructed with a zinc plated steel shell, with two brass contacts mounted on a phenolic-insulating disc and two 6" wire leads. The bracket and shell are grounded independent of the contacts. Lampholders are designed for use with double contact candelabra bayonet lamps.

### Specifications

**Shell:** zinc plated steel.

**Custom shells also available:**

**Double contact indexed shell:** add **-DX** to end of part number. For example, **12-207** changes to **12-207-DX** for indexed shell. Shell is only available in zinc plated steel.

**Brass shell:** add **-BR** to the end of a part number. For example, **12-207** changes to **12-207-BR** for brass shell.

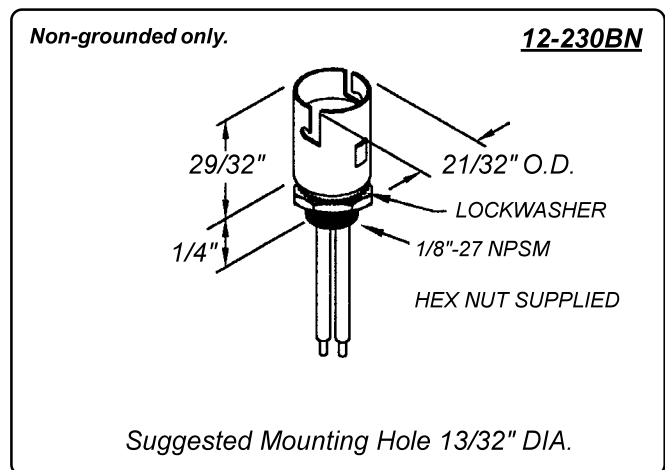
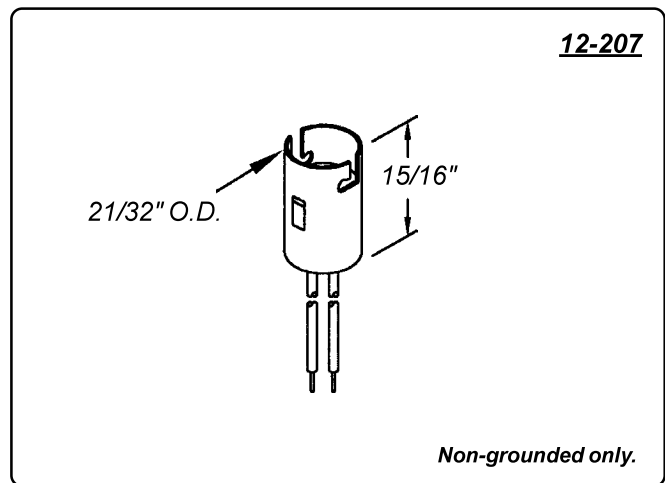
**Center contacts:** nickel plated brass supplied with phenolic insulating disc. A custom ceramic insulating disc is also available.

**Spring:** zinc plated steel. A custom stainless steel spring is also available.

**Wire leads:** 6" **Leads:** #18 AWG, black, bare copper, PVC insulated, UL/CSA rated 105° C, stripped 1/2". Non-grounded units are supplied with two 6" wire leads. Custom wire lengths, stripping, termination and wire types are also available.

**Mounting: Brackets:** 0.025" to 0.032" zinc plated steel. Custom brackets and plating types are available. **Plug buttons:** zinc plated steel for 15/16" mounting holes. **Threaded bushing:** for 13/32" mounting hole. Supplied with lockwasher and hex nut.

**Maximum rating:** 75 Watts, 125 Volts.



**Can't find it here? We have many more standard and custom solutions**

For further information, phone Customer Service at 800.522.5546.

# Double Contact Candelabra Bayonet

## 12 SERIES

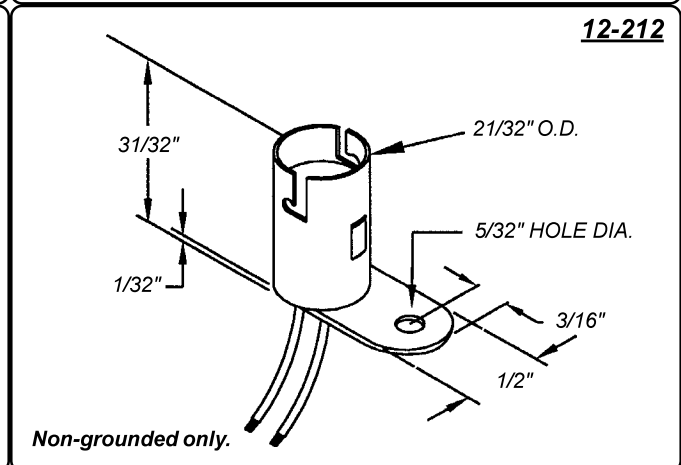
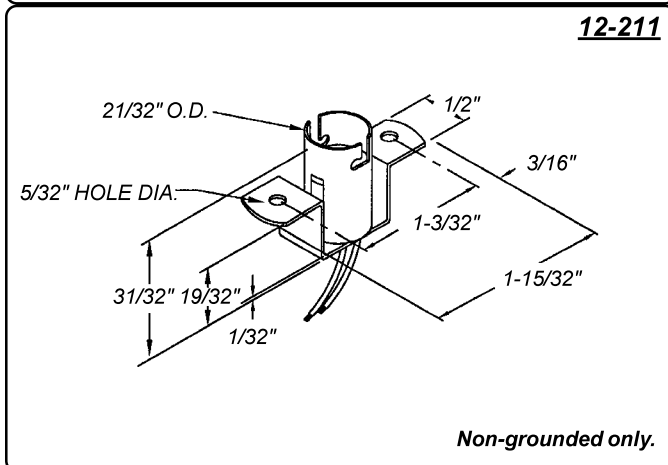
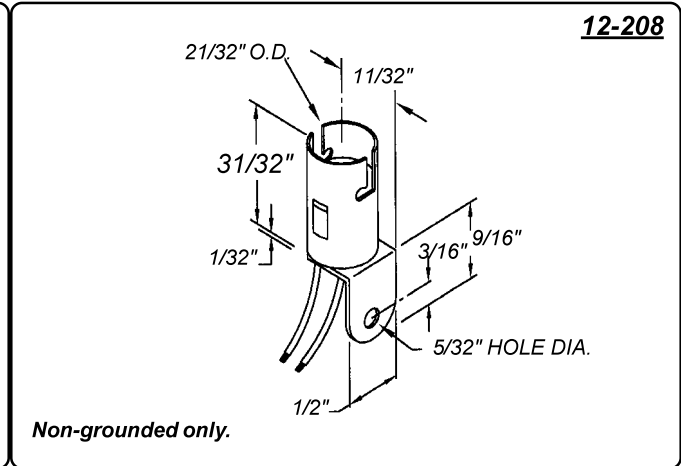
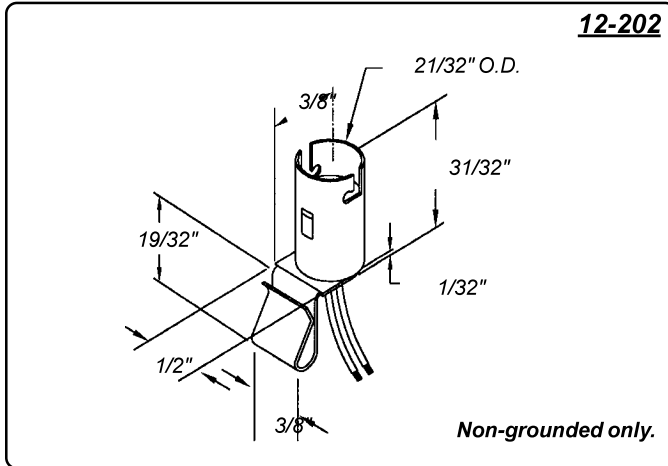
UL LISTED

Maximum Rating: 75 Watts, 125 Volts

Zinc Plated Shell

Non-Grounded

6" Wire Leads



**12-215**  
**12-218**  
**12-282**

*Non-grounded only.*

**Mounting Hole Diagram**

Bracket No.	"A" Dimension
-15	1-5/32"
-18	1-13/32"
-82	15/16"

Maximum Panel Thickness .045"

# Double Contact Candelabra Bayonet

## 12 SERIES

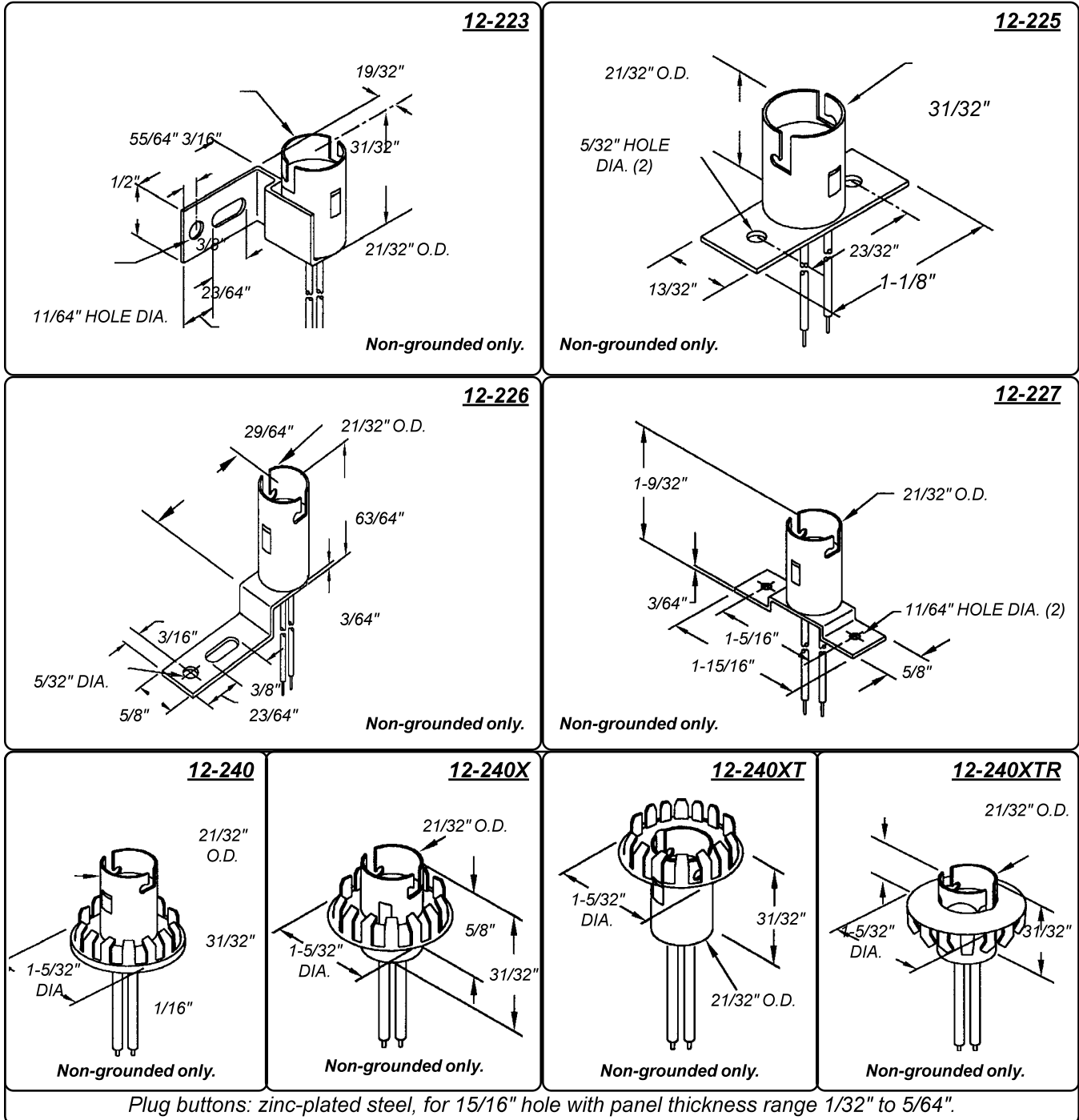
UL LISTED

Maximum Rating: 75 Watts, 125 Volts

Zinc Plated Shell

Non-Grounded

6" Wire Leads



# Double Contact Candelabra Bayonet

## 12 SERIES

UL LISTED

Maximum Rating: 75 Watts, 125 Volts

Zinc Plated Shell

Non-Grounded

6" Wire Leads

<p><b>Non-grounded only.</b> <b>12-240XTPL</b></p> <p>Plug button: natural nylon, for 15/16" hole. Panel thickness range 1/32" to 5/64". Maximum Rating: 30 Watts, 28 Volts.</p>	<p><b>Non-grounded only.</b> <b>12-245</b></p>	<p><b>Non-grounded only.</b> <b>12-255</b></p>
<p><b>Non-grounded only.</b> <b>12-272</b></p> <p><b>For reversed bracket: 12-271.</b></p>	<p><b>12-PAR36-W</b></p> <p>Reflector units: vacuum metalized steel. Other available units: <b>12-PAR22-W</b> (2-7/8" DIA.) <b>12-PAR18-W</b> (2-13/32" DIA.) <b>Non-grounded only.</b></p>	
<p><b>Non-grounded only.</b> <b>12-275</b></p>	<p><b>12-212XP90-9</b></p> <p><b>Non-grounded only.</b></p>	