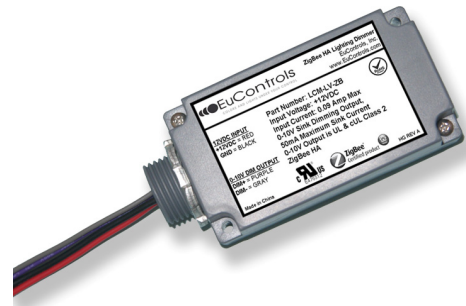


Wireless Lighting Dimmer 0(1)-10V Dimming



Wireless Dimmer
LCM-LV-XX
Wireless

Product Features

- RF, Cordless or ZigBee Wireless Dimming of Luminaires
- 2.4GHz, +8dBm RF, +20dBm ZigBee transmit power
- 0-10V Analog Dimming Control, 50mA Sink
- Compatible with Electronic Ballasts & LED Drivers that comply with IEC60929 Annex E2, 1-10V Dimming.
- Stores last dim setting even when powered off.

Environmental

1. Operating temperature: Tc Maximum 72 °C, Ambient -5 to +60°C Max.
2. Storage temperature range: -40 to +80°C
3. Humidity (non-condensing): 5% - 95%RH
4. Cooling: Convection
5. Vibration Frequency: 5-55Hz/2g, 30 minutes
6. Impact resistance: 1g/s

Safety and Compliance

1. UL244A, UL508, CSA22.2 14-13 Listed, UL2043 Plenum Rated
2. FCC, 47CFR Part 15 Class B compliant
3. ZigBee HA Certified
4. Damp, Dust Proof Design IP50
5. EN61000-4-5: 2kV L-N, 8/20 µsec surge protection

Electrical Specifications at 25°C

- Input voltage range: 12VDC, 11-13VDC
- Input current Module Power: ≤0.090A for Units power use

Part Numbers

Part Number	Dimming US Class 2	Dimming CN Class 2	Control	0-10V Analog
LCM-LV-RF	YES	YES	RF	YES
LCM-LV-ZB	YES	YES	ZigBee HA	YES



IP50

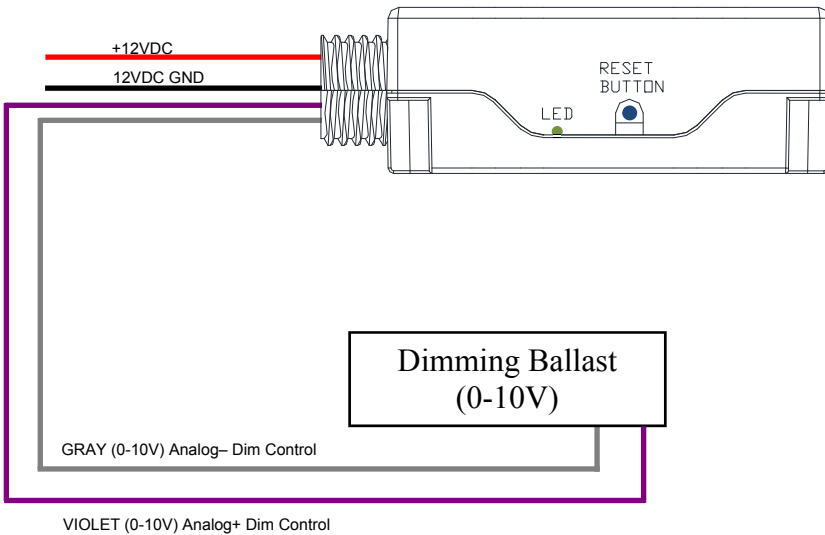


ZigBee Certified product

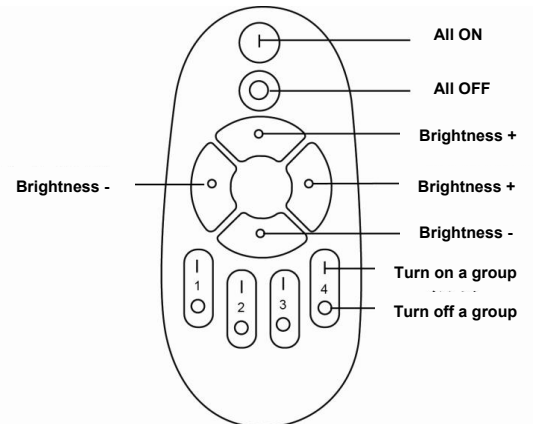


Typical Application Circuit

LCM-LV-XX



Typical -RF Version Control
Required LCM-RF-REMOTE remote control is purchased separately



Notes

1. Do not cross wire or short Vin to Dim out wires or part will be damaged.

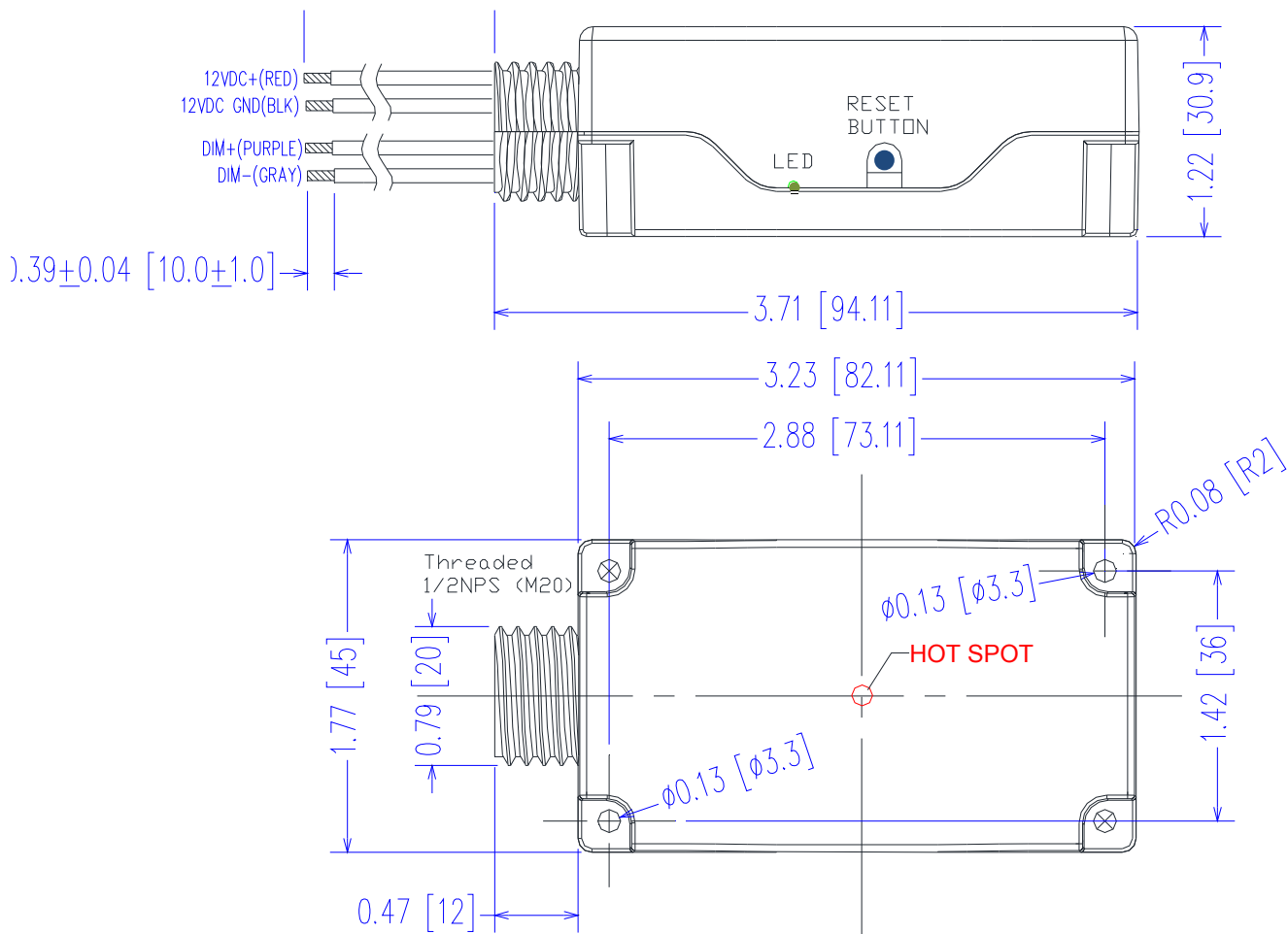
Wireless Lighting Dimmer 0(1)-10V Dimming

Wireless Dimmer
LCM-LV-XX

Mechanical Dimensions: Inches [mm]

Material: Gray 5VA PC ABS Plastic Case
Weight: 55 Grams (1.9 oz.) Typical

Labeling Example



Wireless Lighting Dimmer

0(1)-10V Dimming

Input Specifications

Parameter	Min.	Typ.	Max.	Notes/Conditions
Input Voltage	11.0VDC	12.0VDC	13.0VDC	12VDC Nominal Value
RF Control Transmit Power	—	—	+8dBm	11 Step log dimming, 2.4GHz GFSK Modulation
ZigBee Control Transmit Power	—	—	+20dBm	11 Step log dimming, Standard ZigBee

Output Specifications

Parameter	Min.	Typ.	Max.	Notes/Conditions
Sink Current on 0-10V (+) Purple Wire	0mA	—	50mA	IEC60929 Annex E2
Absolute Voltage Range on 0-10V (+) Purple Wire	-20.0V	—	+20V	IEC60929 Annex E2
Dimming Range	0.3V	—	+10V	Ballast or Led Driver provides Dim Voltage & Current per IEC60929 Annex E2, 0(1)-10V Analog Dimming

Environmental Specifications

Parameter	Min.	Typ.	Max.	Notes/Conditions
Operating Temperature (Ta)	-20 °C	—	+60 °C	Operating temperature range.
Storage Temperature (Ts)	-40 °C	—	+85 °C	Non operating temperature range.
Operating Humidity	—	—	95% RH	Relative Humidity, non-condensing.
Vibration	5 Hz	—	55 Hz	2G, 10 minutes/1 cycle, period 30 minutes, each along X, Y, Z axis.

Safety & EMC Compliance

Safety	Notes/Standards
UL/CUL Listed	UL244A, UL508 & CAN/CSA C22.2 No. 14-13 Listed, UL2043 Plenum Rated
CE	EN61347-1, EN61347-2-13
Dimming Circuit	UL & cUL Isolated Class 2, Dim+ Purple/Dim- Gray
FCC	Compliant Class B
EN 61000-4-5	Part 4-5: Surge Immunity test, 2 kV L-N

Wireless Lighting Dimmer
0(1)-10V Dimming

Wireless
LCM-LV-XX
Wireless Dimmer

