

## Silicon PIN Photodiode



### LINKS TO ADDITIONAL RESOURCES



### FEATURES

- Package type: surface-mount
- Technology: homogeneous
- Package form: top view
- Dimensions (L x W x H in mm):  
4.72 x 4.72 x 0.75
- AEC-Q101 qualified
- Floor life: 186 h, MSL 3, according to J-STD-020
- Material categorization:  
for definitions of compliance please see [www.vishay.com/doc?99912](http://www.vishay.com/doc?99912)

 AUTOMOTIVE  
GRADE

**RoHS**  
COMPLIANT  
HALOGEN  
**FREE**  
**GREEN**  
(5-2008)

### DESCRIPTION

K857PH is a 4-quadrant photo detector in surface-mount package. Each quadrant PD has an active area of 1.6 mm<sup>2</sup>.

PRODUCT SUMMARY			
COMPONENT	$I_{ra}$ ( $\mu A$ ) ( $E_e = 1.0 \text{ mW/cm}^2, \lambda = 850 \text{ nm}, V_R = 5 \text{ V}$ )	$\phi$ (°)	$\lambda_{0.1}$ (nm)
K857PH	10	$\pm 60$	710 to 1100

#### Note

- Test conditions see table “Basic Characteristics”

ORDERING INFORMATION			
ORDERING CODE	PACKAGING	REMARKS	PACKAGE FORM
K857PH	Tape and reel	MOQ: 1000 pcs, 1000 pcs per reel	Top view
K857PH-GS15	Tape and reel	MOQ: 5000 pcs, 5000 pcs per reel	Top view

#### Note

- MOQ: minimum order quantity

ABSOLUTE MAXIMUM RATINGS ( $T_{amb} = 25 \text{ }^\circ\text{C}$ , unless otherwise specified)				
PARAMETER	TEST CONDITION	SYMBOL	VALUE	UNIT
Reverse voltage		$V_R$	10	V
Operating temperature range		$T_{amb}$	-40 to +110	$^\circ\text{C}$
Storage temperature range		$T_{stg}$	-40 to +110	$^\circ\text{C}$
Soldering temperature	According to reflow solder profile Fig. 8	$T_{sd}$	260	$^\circ\text{C}$
ESD safety HBM	$\pm 2000 \text{ V}$ , 1.5 k $\Omega$ , 100 pF, 3 pulses	$ESD_{HBM}$	2.0	kV

<b>BASIC CHARACTERISTICS, SINGLE QUADRANT</b> ( $T_{amb} = 25\text{ }^{\circ}\text{C}$ , unless otherwise specified)						
PARAMETER	TEST CONDITION	SYMBOL	MIN.	TYP.	MAX.	UNIT
Forward voltage	$I_F = 50\text{ mA}$	$V_F$	-	1.25	1.5	V
Reverse dark current	$V_R = 10\text{ V}, E = 0$	$I_{ro}$	-	1.0	10	nA
Diode capacitance	$V_R = 0\text{ V}, f = 1\text{ MHz}, E = 0$	$C_D$	-	18	-	pF
	$V_R = 3\text{ V}, f = 1\text{ MHz}, E = 0$	$C_D$	-	6	-	pF
Reverse light current	$E_e = 1\text{ mW/cm}^2, \lambda = 850\text{ nm}, V_R = 5\text{ V}$	$I_{ra}$	-	10	-	$\mu\text{A}$
	$E_e = 1\text{ mW/cm}^2, \lambda = 940\text{ nm}, V_R = 5\text{ V}$	$I_{ra}$	-	11	-	$\mu\text{A}$
Angle of half sensitivity		$\phi$	-	$\pm 60$	-	$^{\circ}$
Wavelength of peak sensitivity		$\lambda_p$	-	950	-	nm
Range of spectral bandwidth		$\lambda_{0.1}$	-	710 to 1100	-	nm
Rise time	$V_R = 10\text{ V}, R_L = 50\text{ }\Omega, \lambda = 950\text{ nm}$	$t_r$	-	3.9	-	$\mu\text{s}$
Fall time	$V_R = 10\text{ V}, R_L = 50\text{ }\Omega, \lambda = 950\text{ nm}$	$t_f$	-	2.5	-	$\mu\text{s}$

**BASIC CHARACTERISTICS** ( $T_{amb} = 25\text{ }^{\circ}\text{C}$ , unless otherwise specified)

 Values measured / estimated per quadrant  $q$  [ $q = 1, 2, 3, 4$ ]

<b>CROSS-TALK SPECIFICATION</b>			
Laser illumination (850 nm, 65 $\mu\text{m}$ spot diameter, radiant power 0.7 mW) of center of PD quadrant 1 ( $q = 1$ ), $V_R, q = 5\text{ V}$ applied to all quadrants ( $q = 1, 2, 3, 4$ )			
ILLUMINATED	MEASURED PARAMETER	TYP. VALUE	UNIT
Yes	$I_{ra\_850\_1}$	100	%
No	$I_{ra\_850\_2}$	0.1	%
No	$I_{ra\_850\_3}$	0.1	%
No	$I_{ra\_850\_4}$	0.05	%

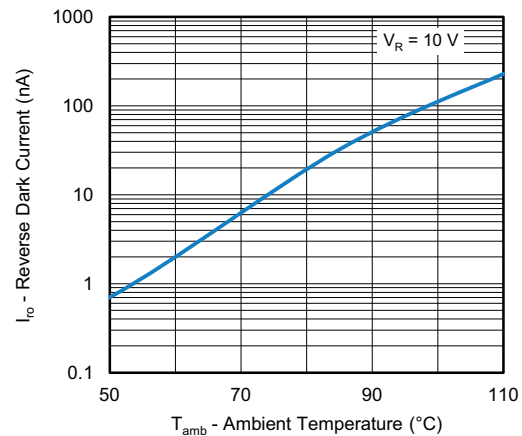
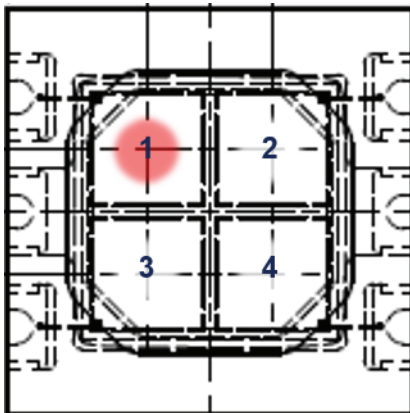


Fig. 1 - Reverse Dark Current vs. Ambient Temperature

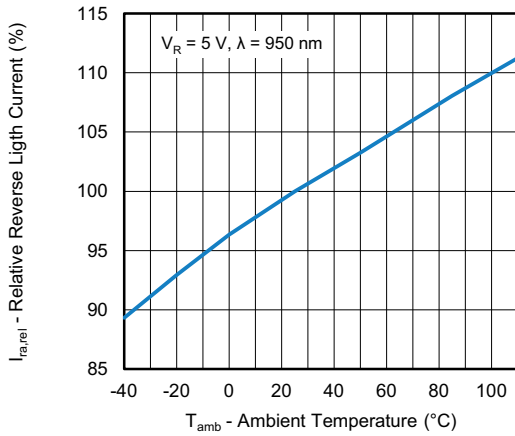


Fig. 2 - Relative Reverse Light Current vs. Ambient Temperature

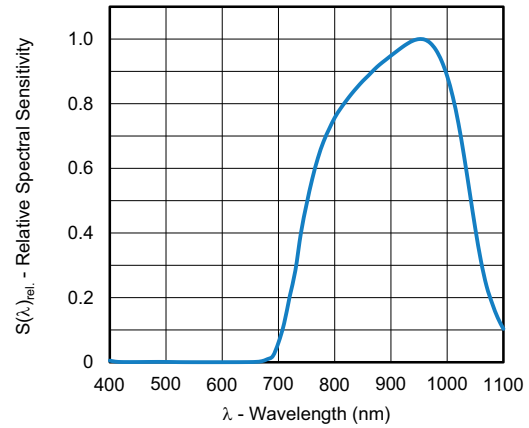


Fig. 5 - Relative Spectral Sensitivity vs. Wavelength

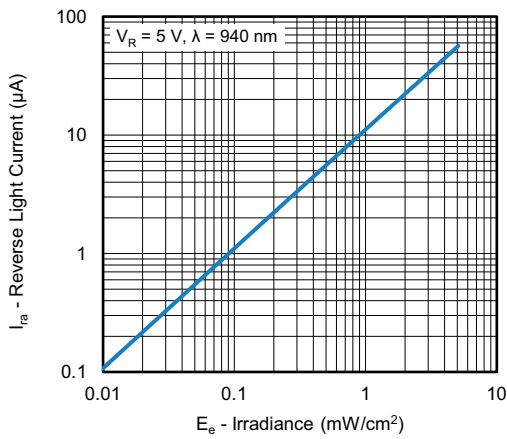


Fig. 3 - Reverse Light Current vs. Irradiance

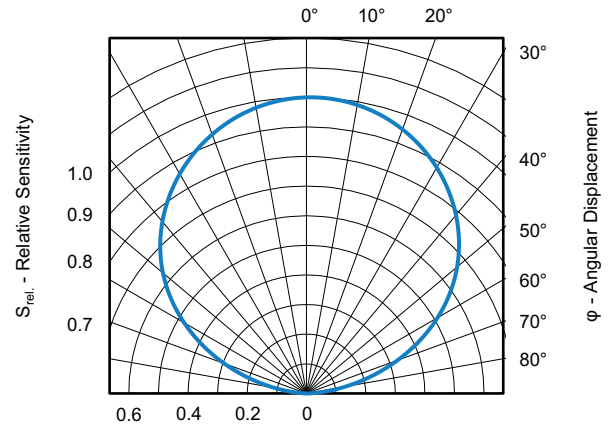


Fig. 6 - Relative Sensitivity vs. Angular Displacement

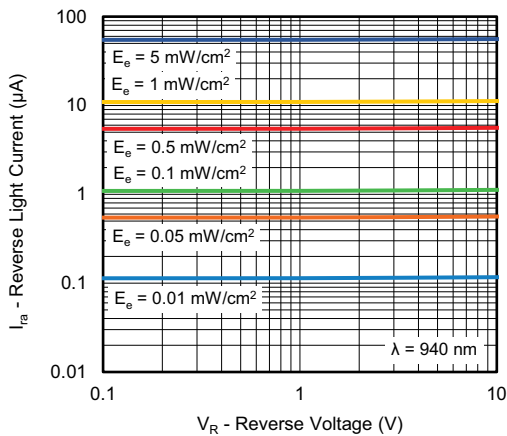


Fig. 4 - Reverse Light Current vs. Reverse Voltage

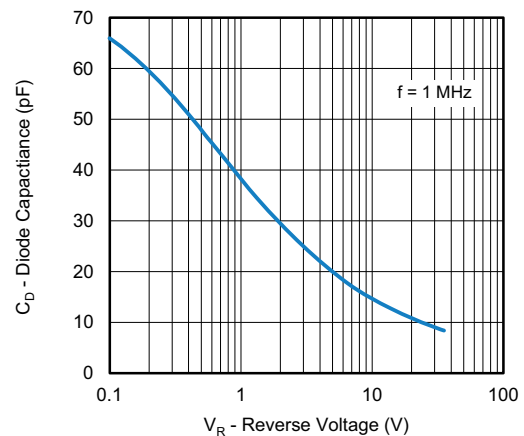
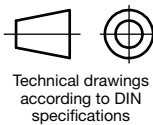
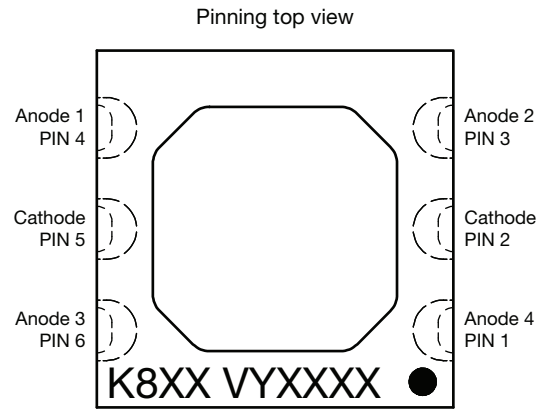
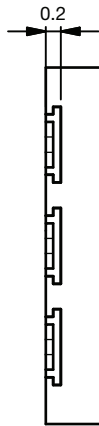
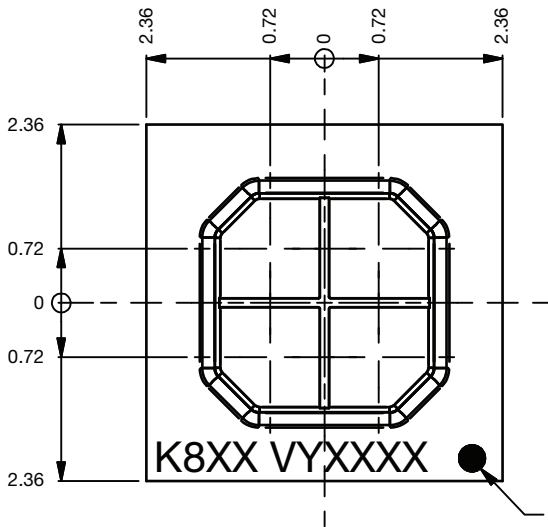
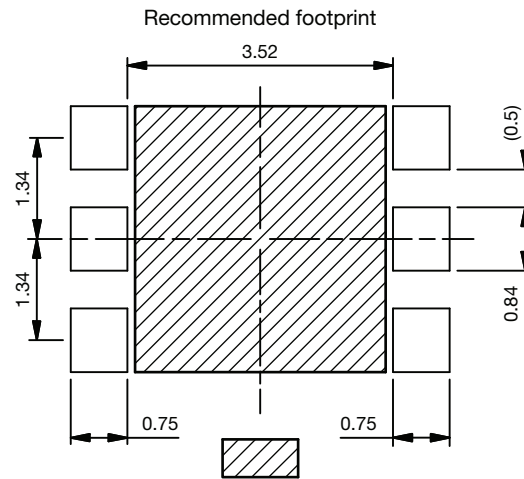
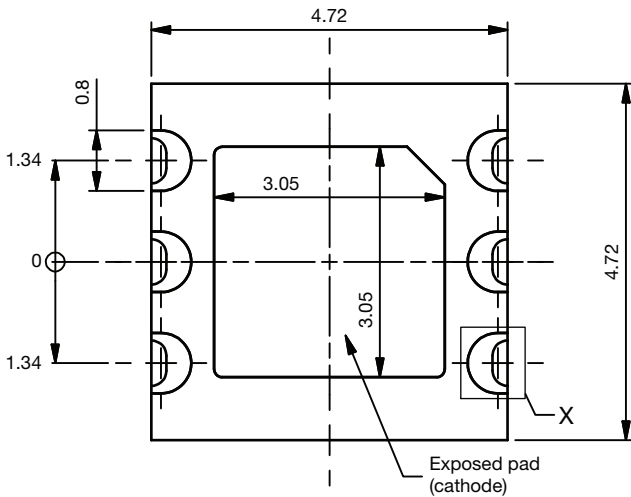
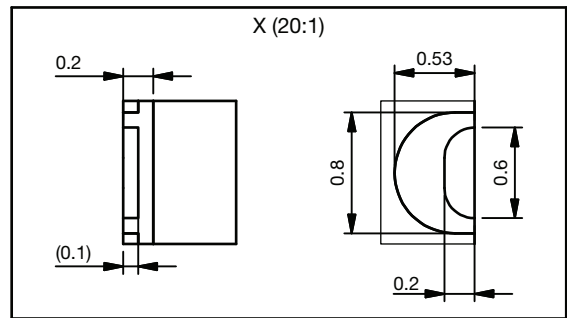


Fig. 7 - Diode Capacitance vs. Reverse Voltage (applied to all four anode contacts)

**PACKAGE DIMENSIONS** in millimeters



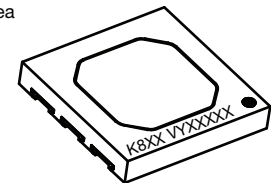
Technical drawings according to DIN specifications



Not indicated tolerances  $\pm 0.1$  mm

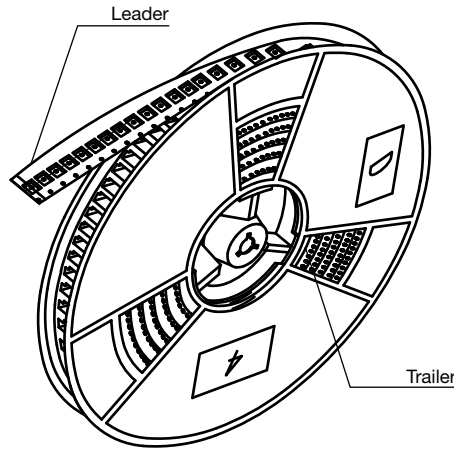
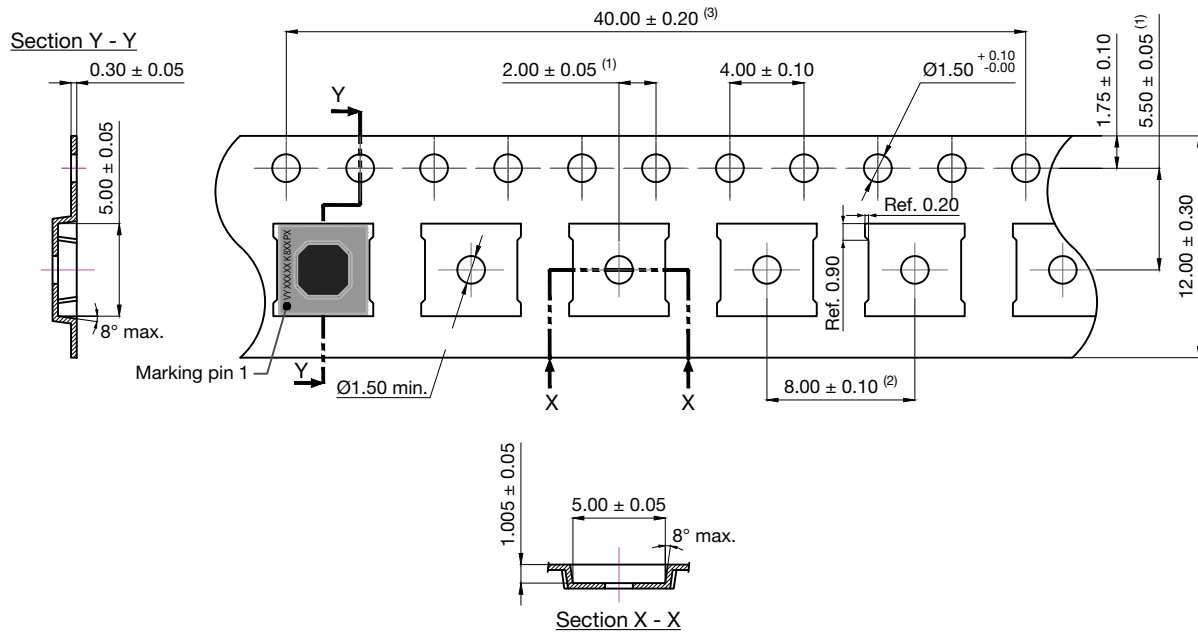
Drawing No.: 6.550-5356.01-4  
Issue: 2; 19.02.2021

Active area photodiodes:	
Single PD:	1.6 mm <sup>2</sup>
All PDs:	6.4 mm <sup>2</sup>
Total opening:	7.1 mm <sup>2</sup>





TAPE AND REEL DIMENSIONS in millimeters



Notes

- Allowable camber to be 1 mm per 250 mm in length for single winding and 2 mm per 250 mm in length for cross winding
- (1) Measure from centerline of sprocket hole to centerline of pocket
- (2) Measure from centerline of pocket to centerline of pocket
- (3) Pitch tolerance for sprocket hole, 10 pitch cumulative tolerance is  $\pm 0.2$  mm

**SOLDER PROFILE**



19841

Fig. 8 - Lead (Pb)-free Reflow Solder Profile According to J-STD-020D

**DRYPACK**

Devices are packed in moisture barrier bags (MBB) to prevent the products from moisture absorption during transportation and storage. Each bag contains a desiccant.

**FLOOR LIFE**

Time between soldering and removing from MBB must not exceed the time indicated in J-STD-020:

Moisture sensitivity: level 3

Floor life: 168 h

Conditions:  $T_{amb} < 30\text{ °C}$ ,  $RH < 60\%$

**DRYING**

In case of moisture absorption devices should be baked before soldering. Conditions see J-STD-020 or recommended conditions:

192 h at 40 °C (+ 5 °C),  $RH < 5\%$

or

96 h at 60 °C (+ 5 °C),  $RH < 5\%$



## Disclaimer

ALL PRODUCT, PRODUCT SPECIFICATIONS AND DATA ARE SUBJECT TO CHANGE WITHOUT NOTICE TO IMPROVE RELIABILITY, FUNCTION OR DESIGN OR OTHERWISE.

Vishay Intertechnology, Inc., its affiliates, agents, and employees, and all persons acting on its or their behalf (collectively, "Vishay"), disclaim any and all liability for any errors, inaccuracies or incompleteness contained in any datasheet or in any other disclosure relating to any product.

Vishay makes no warranty, representation or guarantee regarding the suitability of the products for any particular purpose or the continuing production of any product. To the maximum extent permitted by applicable law, Vishay disclaims (i) any and all liability arising out of the application or use of any product, (ii) any and all liability, including without limitation special, consequential or incidental damages, and (iii) any and all implied warranties, including warranties of fitness for particular purpose, non-infringement and merchantability.

Statements regarding the suitability of products for certain types of applications are based on Vishay's knowledge of typical requirements that are often placed on Vishay products in generic applications. Such statements are not binding statements about the suitability of products for a particular application. It is the customer's responsibility to validate that a particular product with the properties described in the product specification is suitable for use in a particular application. Parameters provided in datasheets and / or specifications may vary in different applications and performance may vary over time. All operating parameters, including typical parameters, must be validated for each customer application by the customer's technical experts. Product specifications do not expand or otherwise modify Vishay's terms and conditions of purchase, including but not limited to the warranty expressed therein.

Hyperlinks included in this datasheet may direct users to third-party websites. These links are provided as a convenience and for informational purposes only. Inclusion of these hyperlinks does not constitute an endorsement or an approval by Vishay of any of the products, services or opinions of the corporation, organization or individual associated with the third-party website. Vishay disclaims any and all liability and bears no responsibility for the accuracy, legality or content of the third-party website or for that of subsequent links.

Except as expressly indicated in writing, Vishay products are not designed for use in medical, life-saving, or life-sustaining applications or for any other application in which the failure of the Vishay product could result in personal injury or death. Customers using or selling Vishay products not expressly indicated for use in such applications do so at their own risk. Please contact authorized Vishay personnel to obtain written terms and conditions regarding products designed for such applications.

No license, express or implied, by estoppel or otherwise, to any intellectual property rights is granted by this document or by any conduct of Vishay. Product names and markings noted herein may be trademarks of their respective owners.