

- > precision pliers for ultra fine cutting work, e.g. in electronics and fine mechanics
- > precision box-joint
- > low-friction double spring for gentle and even opening
- > the mirror polish and fine film of oil offers effective rust protection – no circuit faults caused by peeling chrome from plated tools
- > cutting edge hardness (at least 60 HRC)
- > ball bearing steel, laser-hardened cutting edges

Style 0

End Cutter, with bevel

Style 2

End Cutter, mini-blade with small bevel

Style 3

Oblique End Cutter, short head, with small bevel, 15° angle

Style 4

Oblique End Cutter, short head, with small bevel, 27° angle

Style 5

Oblique End Cutter, short head, without bevel, for flush cutting, 27° angle

Style 6

Oblique End Cutter, mini-blade with small bevel, 65° angle, made of special tool steel, forged, oil-hardened

Style 7

Oblique End Cutter, mini-blade with small bevel, head with recess, 35° angle, made of special tool steel, forged, oil-hardened

Style 1 / 64 11 115

End Cutter, without bevel



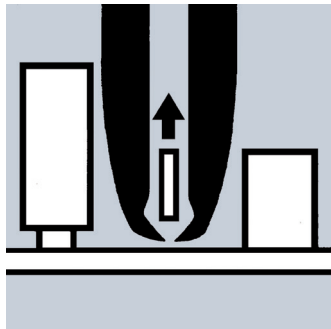
64 02 115
 ✂ 90°   



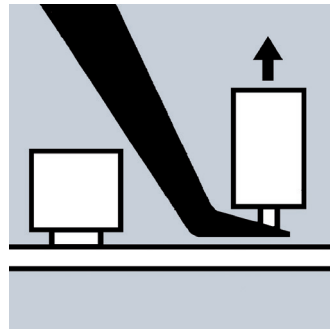
64 12 115
 ✂ 90°   



64 22 115
 ✂ 90°   



64 22 115



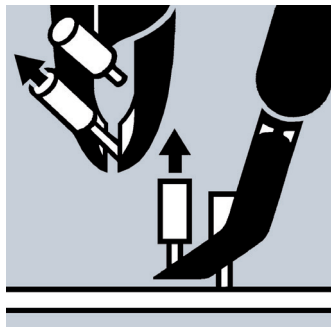
64 62 120



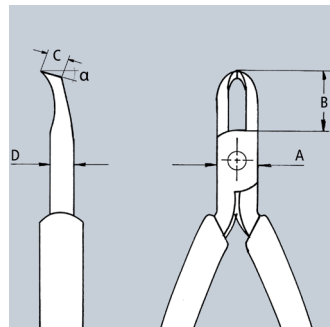
64 32 120
 ✂ 15°   



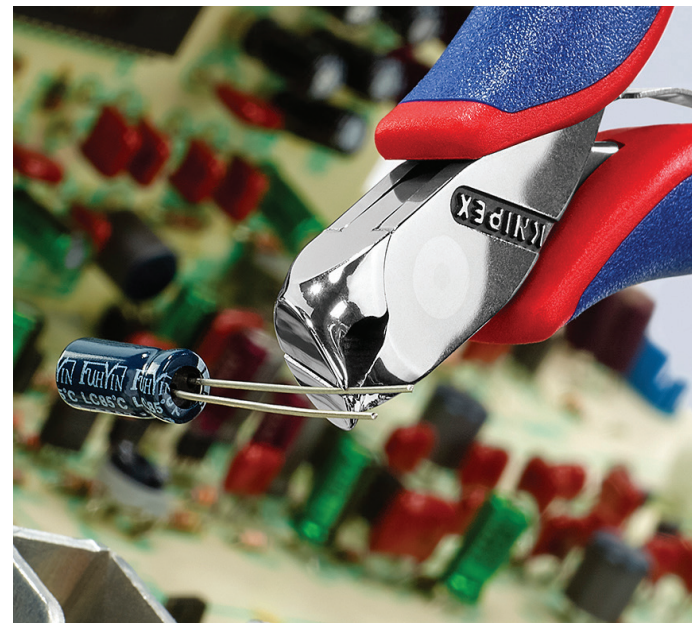
64 72 120
 ✂ 35°   

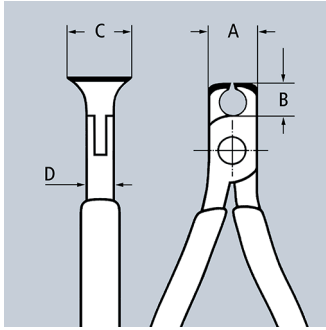


64 72 120

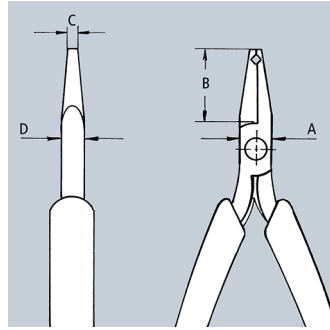


64 72 120

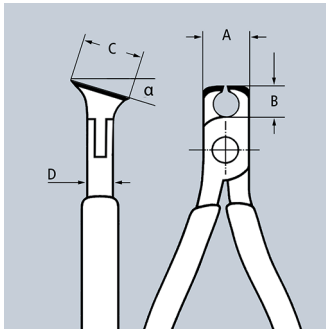




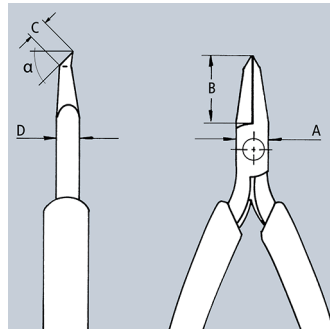
64 01/02/11/12



64 22 115



64 32/42/52



64 62 120



64 42 115
 $\angle 27^\circ$



64 52 115
 $\angle 27^\circ$



64 62 120
 $\angle 65^\circ$

Product Number	Packaging	↔ Inch mm	Head	Handles	Style	Cutting capacities			Dimensions				⚖ lbs	
						Ø Inch Ø mm	Ø Inch Ø mm	Ø Inch Ø mm	A Inch mm	B Inch mm	C Inch mm	D Inch mm		
64 01 115		4 1/2 115	$\angle 90^\circ$	mirror polished	plastic coated	0	5/64 2.0	3/64 1.0	1/64 0.5	7/16 11.0	15/64 6.0	5/8 16.0	19/64 7.5	0.17
64 02 115		4 1/2 115	$\angle 90^\circ$	mirror polished	multi-component grips	0	5/64 2.0	3/64 1.0	1/64 0.5	7/16 11.0	15/64 6.0	5/8 16.0	19/64 7.5	0.21
64 11 115		4 1/2 115	$\angle 90^\circ$	mirror polished	plastic coated	1	1/16 1.4	1/32 0.8	-	7/16 11.0	15/64 6.0	5/8 16.0	9/32 7.0	0.16
64 12 115		4 1/2 115	$\angle 90^\circ$	mirror polished	multi-component grips	1	1/16 1.4	1/32 0.8	-	7/16 11.0	15/64 6.0	5/8 16.0	9/32 7.0	0.21
64 22 115		4 1/2 115	$\angle 90^\circ$	mirror polished	multi-component grips	2	1/32 0.8	-	-	25/64 10.0	51/64 20.2	1/8 3.0	15/64 6.0	0.14
64 32 120		4 3/4 120	$\angle 15^\circ$	mirror polished	multi-component grips	3	1/16 1.5	3/64 1.0	1/64 0.5	7/16 11.0	25/64 10.0	43/64 17.0	9/32 7.0	0.20
64 42 115		4 1/2 115	$\angle 27^\circ$	mirror polished	multi-component grips	4	1/16 1.5	3/64 1.0	1/64 0.5	13/32 10.5	25/64 10.0	15/32 12.0	9/32 7.0	0.15
64 52 115		4 1/2 115	$\angle 27^\circ$	mirror polished	multi-component grips	5	3/64 1.3	-	-	13/32 10.5	25/64 10.0	15/32 12.0	9/32 7.0	0.15
64 62 120		4 3/4 120	$\angle 65^\circ$	mirror polished	multi-component grips	6	1/64 0.5	-	-	3/8 9.5	47/64 18.5	13/64 5.0	15/64 6.0	0.15
64 72 120		4 3/4 120	$\angle 35^\circ$	mirror polished	multi-component grips	7	1/16 1.5	-	-	15/32 12.0	13/64 5.1	13/64 5.0	9/32 7.0	0.21