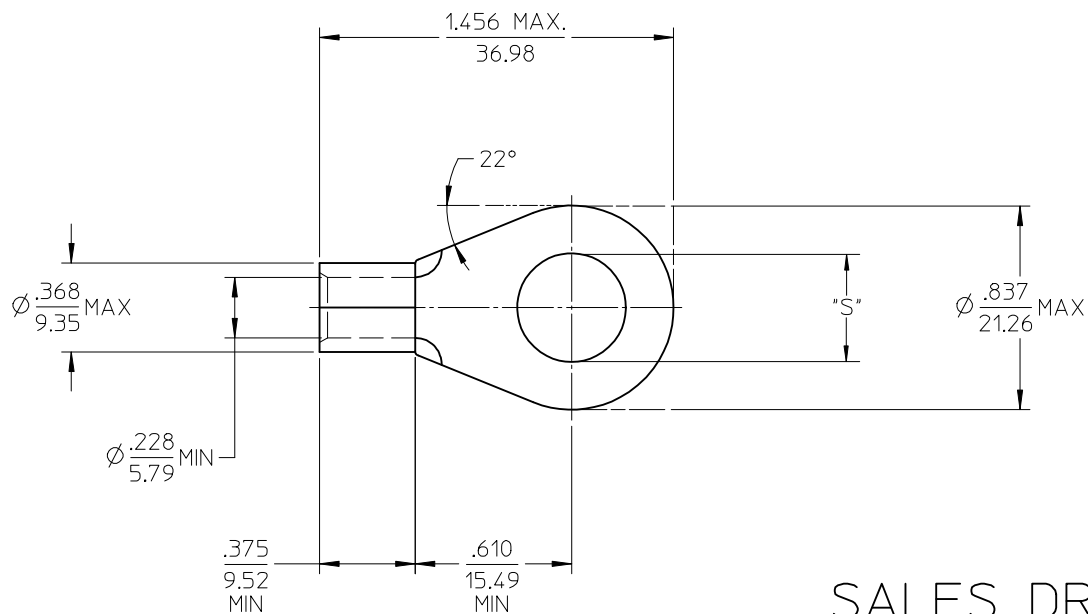
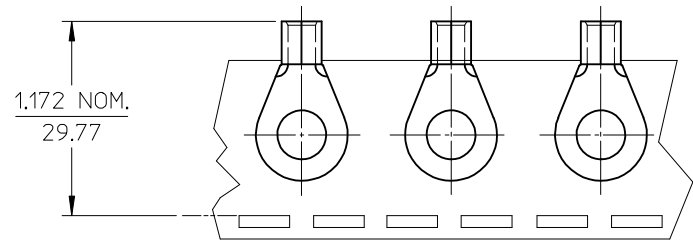


MATERIAL NO. LOOSE PIECE	ENG. NO.	MATERIAL NO. TAPE MOUNTED	ENG. NO.	STUD SIZE	"S"	STOCK THICKNESS
191930225	E-358-10	-----	-----	10	.198±.003	.057/(1.45) REF
191930229	E-358-14	-----	-----	1/4	.265±.003	
191930232	E-358-56	-----	-----	5/16	.328±.003	
191930230	E-358-38	191930231	E-358-38T	3/8	.390±.003	
191930234	E-358-76	-----	-----	7/16	.453±.003	
191930226	E-358-12	191930228	E-358-12T	1/2	.515±.003	
191930233	E-358-58	-----	-----	5/8	.649 MIN.	



SALES DRAWING

- NOTE(S):
1. MATERIAL: COPPER
  2. PLATING: ELECTROPLATE TIN
  3. ALL DIMENSIONS IN INCHES/(MM).
  4. WIRE SIZE: 6 AWG  
16 MM<sup>2</sup>
  5. PART IS ROHS COMPLIANT.

CHANGE 5/8 STUD DIM EC NO: IPG2016-1554 DRWN:GROJASO1 2016/05/18 CHKD:JMACNEIL 2016/05/18 APPR:JMACNEIL 2016/05/31	QUALITY SYMBOLS ▽=0 ▽=0	GENERAL TOLERANCES (UNLESS SPECIFIED)		DIMENSION STYLE IN/MM		SCALE 2:1	DESIGN UNITS INCH	THIRD ANGLE PROJECTION		
		4 PLACES ± --- ± ---	3 PLACES ± --- ± .005	2 PLACES ± 0.13 ± .01	1 PLACE ± 0.25 ± ---	DRAWN BY DLM	DATE 03/07/25	TITLE RING TONGUE TERMINAL VERSAKRIMP SERIES 6 AWG		
		ANGULAR ±1/2°		DRAFT WHERE APPLICABLE MUST REMAIN WITHIN DIMENSIONS		CHECKED BY HEB	DATE 03/07/25	MATERIAL NO. SEE CHART		
		DRAFT WHERE APPLICABLE MUST REMAIN WITHIN DIMENSIONS		APPROVED BY RWD	DATE 03/07/25	MATERIAL NO. SEE CHART		DOCUMENT NO. SD-19193-005	SHEET NO. 1 OF 1	