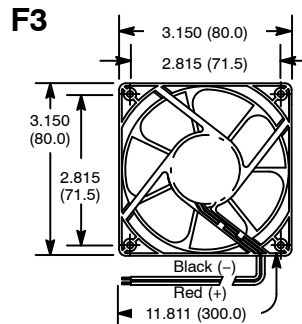
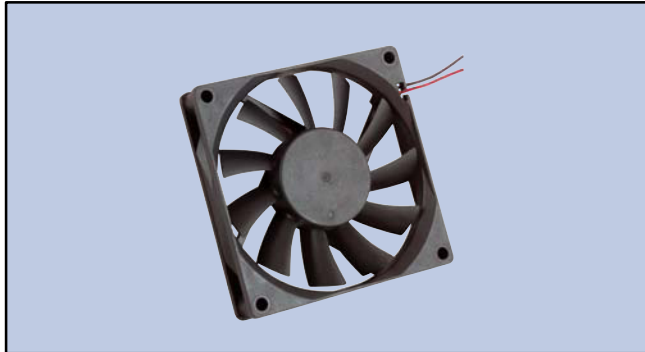


Fan, AC & DC Types, 80 x 80mm



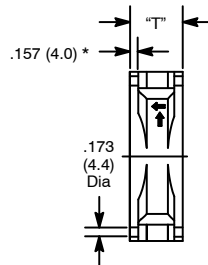
Features

- High Speed
- Ball Bearings
- Terminal Types – “T” Suffix
- 24 AWG Red (+) and Black (-) Leads – DC Types
- 22 AWG Black Leads – AC Types
- 11.8” (300mm) Lead Length

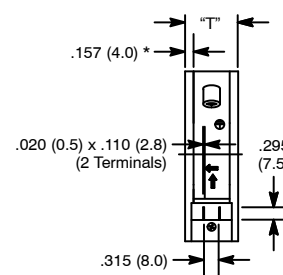


Type	Thickness “T”	
	DC	AC
8015	.590 (15.0)	N/A
8025	.984 (25.0)	1.043 (26.5)
8038	N/A	1.516 (38.5)

a: Lead Types



b: Terminal Types



* 8015 Types: .118 (3.0)

DC OPERATED

NTE Type No.	Rated Voltage	Max. Input Current	Max. Input Power (W)	Speed 10% (RPM)	Max Air Flow (CFM)	Max Acoustical Noise	Diag No.
77-8015D12	12	0.20A	2.35	3000	31.74	38dB(A)	F3a
77-8015D24	24	0.17A	4.30	3000	34.10	32dB(A)	F3a
77-8025D12	12	0.26A	3.17	3000	41.06	37dB(A)	F3a
77-8025D24	24	0.17A	4.14	3000	41.06	37dB(A)	F3a

AC OPERATED

NTE Type No.	Rated Voltage	Max. Input Current	Max. Input Power (W)	Speed 10% (RPM)	Max Air Flow (CFM)	Max Acoustical Noise	Diag No.
77-8025A120	115	0.13A	13	2200	19	26dB(A)	F3a
77-8025A120-T	115	0.13A	13	2200	19	26dB(A)	F3b
77-8038A120	115	0.20A	12	3000	29	34dB(A)	F3a
77-8038A120-T	115	0.20A	12	3000	29	34dB(A)	F3b

77-8015D24 does not meet UL approval.

ACCESSORIES

FAN TYPE	DESCRIPTION	NTE TYPE NO.
80 X 80mm	Fan Guard, Metal	77-MG80
80 X 80mm	Fan Filter, 3-Piece w/Cover	77-FF80
80 X 80mm, Terminal Type	Fan Cord, 12", 45° Blunt Cut	77-FC12
	Fan Cord, 24", 45° Blunt Cut	77-FC24
	Fan Cord, 36", 45° Blunt Cut	77-FC36
	Fan Cord, 48", 45° Blunt Cut	77-FC48
	Fan Cord, 72", 45° Blunt Cut	77-FC72

Specifications

Electrical Characteristics

Insulation Resistance: 10M Min. (at 500VDC) between frame and positive terminal

Dielectric Strength:

DC Types: 500VAC, 1 minute; 600VAC, 1 sec at 5mA Max. between frame and positive terminal

AC Types: 1500VAC, 1 minute; 1800VAC, 1 sec at 5mA Max. between frame and positive terminal

Life Expectancy:

DC Types: Approx. 70000 hrs at rated voltage, +40°C, 15% to 65% RH

AC Types: Approx. 50000 hrs at rated voltage, +25°C, 15% to 65% RH

Mechanical Characteristics

Frame:

DC Types: Thermoplastic, Black, UL94V-0

AC Types: Die-Cast Aluminum, Black

Impeller: Thermoplastic, Black, UL94V-0

Bearing:

DC Types: 2 Ball Bearings

AC Types: Ball Bearing

Weight:

DC Types: Approx. 54g (15mm); 76g (25mm)

AC Types: Approx. 208g (25mm); 340g (38mm)

Environmental Characteristics

Operating Temperature: -10°C to +70°C

Storage Temperature: -40°C to +75°C

Operating Humidity: 35% to 85% RH

Storage Humidity: 35% to 85% RH

Protection

Polarity (DC Types ONLY): Damage will not occur for up to 10 minutes with positive and negative leads connected in reverse.

Locked Rotor: Within 72 hours of a rotor locking condition, at the rated voltage and operating temperature, the impedance of the motor winding will protect the motor from damage.