



700-970 MHz / 1600-2700 MHz Diplexer



ANATECH ELECTRONICS INC
RF & Microwave Filters & Products

Part Number: AE970-1600D5426

Electrical Specifications

Low Band BW: 700-970 MHz
Insertion Loss @ Low Band BW: 1.0 dB Max
Ripple in BW: 1.0 dB Max
High Band BW: 1600-2700 MHz
Insertion Loss @ High Band BW: 1.0 dB Max
Ripple in BW: 1.0 dB Max
Return Loss over Low/High Pass bands: 15 dB Min
Isolation between Low/High bands: 60 dB Min
Power Handling: 50 W

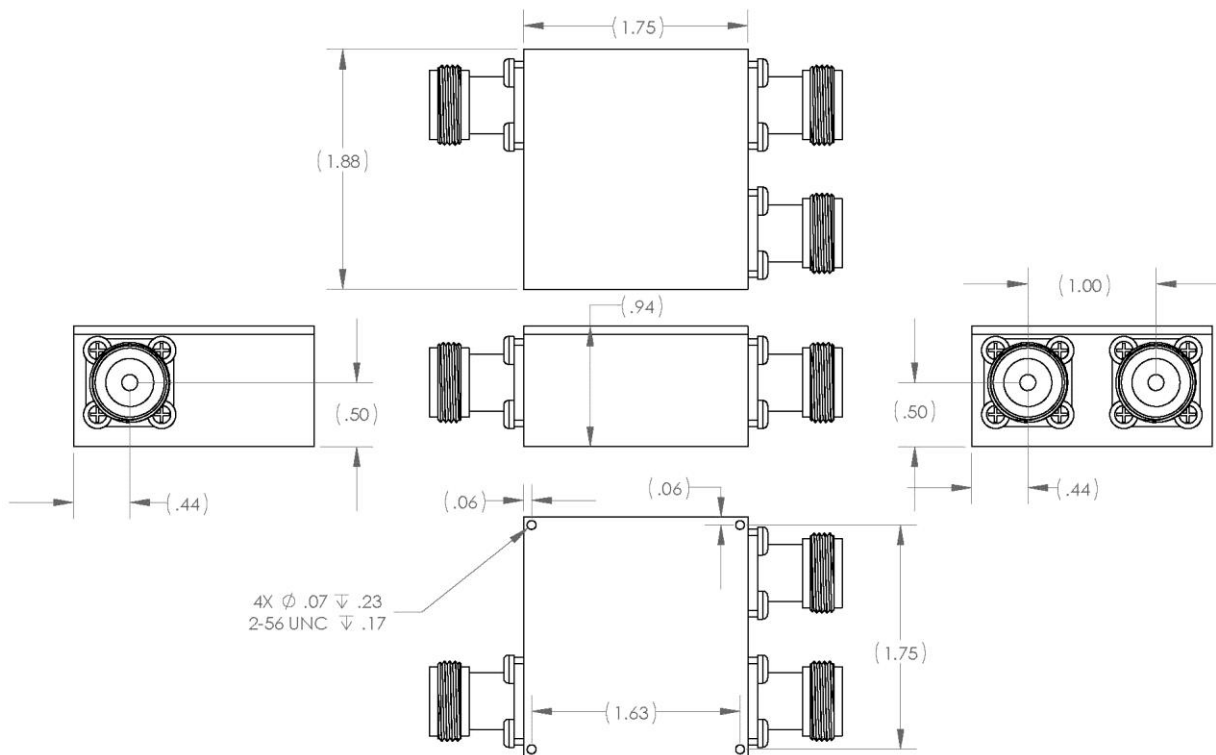
Mechanical

Mounting Method: Through Holes
Connector Type: N-Type(F)
Dimensions: 1.75 x 1.88 x 0.94 inches

Environmental

Operating Temperature: -40 to +70° C
Storage Temperature: -50 to +90° C
Shock: 20 G. 11ms
Vibration: 20 G. 5 to 200Hz

Outline Drawing:



Tolerance: +/-0.01 inches [+/-0.3mm] Angles: +/-1 Deg.

*Tolerance as shown unless otherwise specified in the datasheet electrical specification tables above.

*When max dimensions are called out the above tolerances do not apply as long as it is under the max call out.



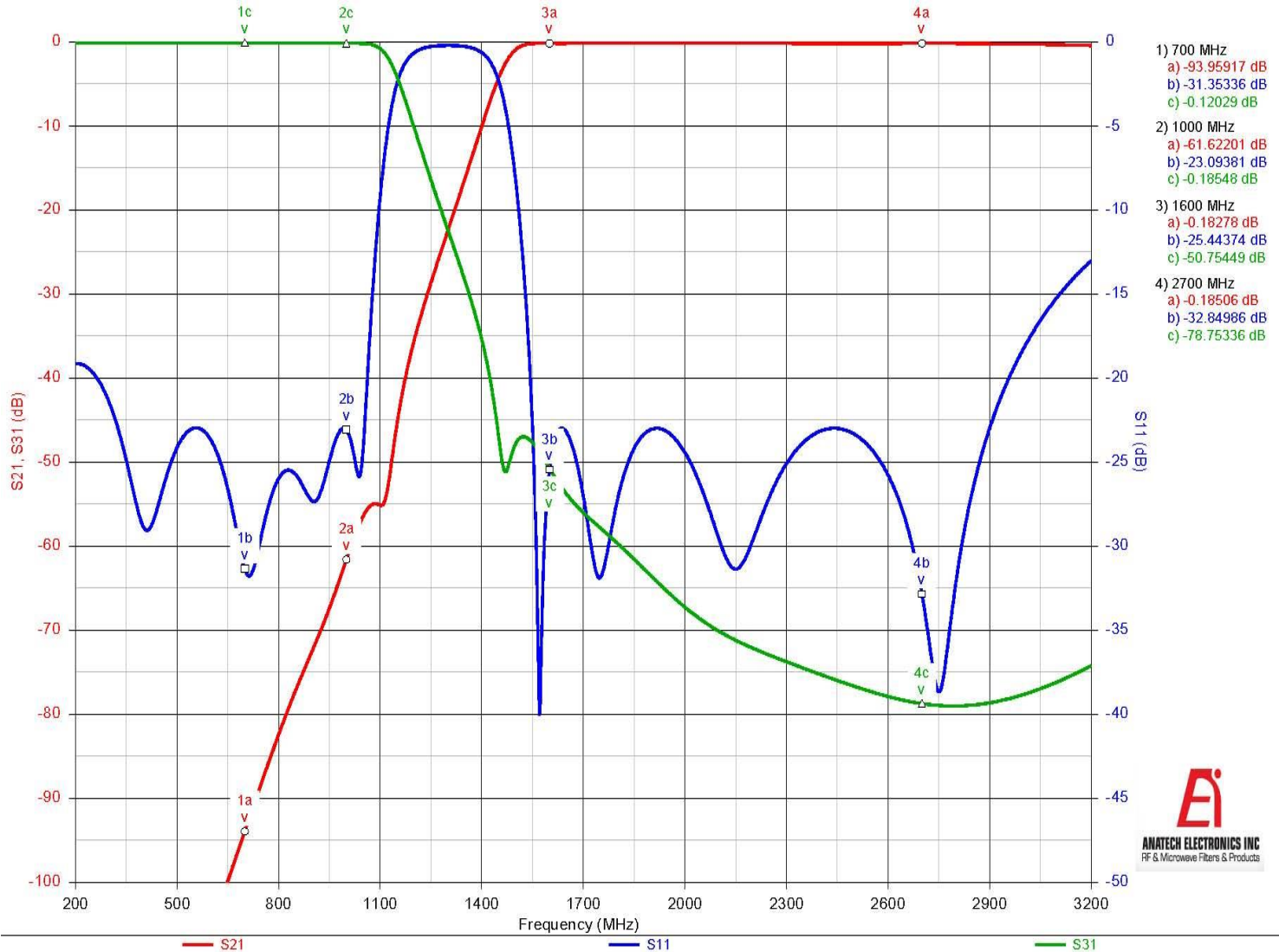
700-970 MHz / 1600-2700 MHz Diplexer

Part Number: AE970-1600D5426



ANATECH ELECTRONICS INC
RF & Microwave Filters & Products

Simulated Response Plot:



Note: This is a simulated response plot. Actual performance might differ.