

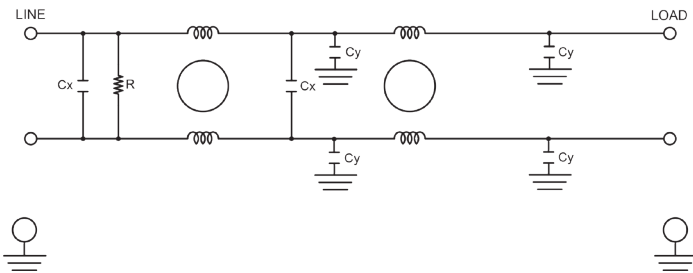
RP240

HIGH PERFORMANCE DUAL STAGE POWER LINE FILTER

FEATURES

- » Rated currents include **6A, 12A, 16A, 25A, 36A, 50A, 80A, 100A, and 150A**
- » Dual Stage Line Filter
- » Available with **QD** tabs, **W** (wire), **S** (studs) and **C** (connectors) option
- » High Performance
- » Agency Approved to UL1283 / 60929, CSA C22.2, EN 60939
- » Y-cap value can be adjusted to fit specification

ELECTRICAL SCHEMATIC



HOW TO ORDER

RP240-X-Y-Z



NOTE: USE ANY COMBINATION OF -X (AMPS) WITH ANY -Y RATINGS

E.G. **RP240-6-2.2-QD** (6AMPS WITH 2.2 NF YCAP)

For **X**, **Y** and **Z** options see product specification table.



SPECIFICATIONS

OPERATING FREQUENCY	50/60Hz
USABLE FREQUENCY	DC - 400 Hz
MAX. OPERATING VOLTAGE*	250V +10%
AMBIENT TEMPERATURE	-25 TO 40°C
CLIMATIC CATEGORY	25/100/21
TERMINALS (-T)	QD: 0.25 TABS(6-16A) WIRE LEADS STUDS 25-50A (M5), 80A(M6), 100-150A (M10) CONNECTORS
TYP. WEIGHT, LBS (KG)	0.1 (0.05)

TYPICAL LEAKAGE CURRENT

@ 250 VAC 50 Hz	0 - 36.0 mA Max.
@ 120 VAC 60 Hz	0 - 18.0 mA Max.

HIPOT RATINGS

LINE TO GROUND	2700 VDC
----------------	----------

TYPICAL APPLICATIONS

- ✓ Automation Equipment
- ✓ Medical Devices
- ✓ Office Electronics
- ✓ Electronic Devices
- ✓ Noisy Applications
- ✓ Industrial Machinery

RP240

HIGH PERFORMANCE DUAL STAGE POWER LINE FILTER

MODEL NO.	RATED CURRENT, A @ 40° C	Y-CAP, nF	LEAKAGE CURRENT, mA @ 250V AC, 50 Hz / @ 120V AC, 60 Hz		TERMINAL OPTIONS				MAX. DIMENSIONS" (MM)		
					(QD) IN/ OUTPUT	(W) IN/ OUTPUT	(S) IN/ OUTPUT	(C) IN/ OUTPUT	WIDTH	(LENGTH)	HEIGHT
RP240-6-0-QD	6	0	-	-	✓				2.28"(58)	4.61"(117)	1.81"(46)
RP240-6-0-W	6	0	-	-		✓			*	*	*
RP240-6-2.2-QD	6	2.2	0.80	0.40	✓				2.28"(58)	4.61"(117)	1.81"(46)
RP240-6-2.2-W	6	2.2	0.80	0.40		✓			*	*	*
RP240-6-4.7-QD	6	4.7	1.60	0.80	✓				2.28"(58)	4.61"(117)	1.81"(46)
RP240-6-4.7-W	6	4.7	1.60	0.80		✓			*	*	*
RP240-6-10-QD	6	10	3.60	1.80	✓				2.28"(58)	4.61"(117)	1.81"(46)
RP240-6-10-W	6	10	3.60	1.80		✓			*	*	*
RP240-6-22-QD	6	22	8.00	4.00	✓				2.28"(58)	4.61"(117)	1.81"(46)
RP240-6-22-W	6	22	8.00	4.00		✓			*	*	*
RP240-6-100-QD	6	100	36.00	18.00	✓				2.28"(58)	4.61"(117)	1.81"(46)
RP240-6-100-W	6	100	36.00	18.00		✓			*	*	*
RP240-12-0-QD	12	0	-	-	✓				2.24"(57)	6.06"(154)	2.11"(53.6)
RP240-12-0-S	12	0	-	-			✓		2.24"(57)	6.93"(176)	2.11"(53.6)
RP240-12-2.2-QD	12	2.2	0.80	0.40	✓				2.24"(57)	6.06"(154)	2.11"(53.6)
RP240-12-2.2-S	12	2.2	0.80	0.40			✓		2.24"(57)	6.93"(176)	2.11"(53.6)
RP240-12-4.7-QD	12	4.7	1.60	0.80	✓				2.24"(57)	6.06"(154)	2.11"(53.6)
RP240-12-4.7-S	12	4.7	1.60	0.80			✓		2.24"(57)	6.93"(176)	2.11"(53.6)
RP240-12-10-QD	12	10	3.60	1.80	✓				2.24"(57)	6.06"(154)	2.11"(53.6)
RP240-12-10-S	12	10	3.60	1.80			✓		2.24"(57)	6.93"(176)	2.11"(53.6)
RP240-12-22-QD	12	22	8.00	4.00	✓				2.24"(57)	6.06"(154)	2.11"(53.6)
RP240-12-22-S	12	22	8.00	4.00			✓		2.24"(57)	6.93"(176)	2.11"(53.6)
RP240-12-100-QD	12	100	36.00	18.00	✓				2.24"(57)	6.06"(154)	2.11"(53.6)
RP240-12-100-S	12	100	36.00	18.00			✓		2.24"(57)	6.93"(176)	2.11"(53.6)
RP240-16-0-QD	16	0	-	-	✓				2.24"(57)	6.06"(154)	2.11"(53.6)
RP240-16-0-S	16	0	-	-			✓		2.24"(57)	6.93"(176)	2.11"(53.6)
RP240-16-2.2-QD	16	2.2	0.80	0.40	✓				2.24"(57)	6.06"(154)	2.11"(53.6)
RP240-16-2.2-S	16	2.2	0.80	0.40			✓		2.24"(57)	6.93"(176)	2.11"(53.6)
RP240-16-4.7-QD	16	4.7	1.60	0.80	✓				2.24"(57)	6.06"(154)	2.11"(53.6)
RP240-16-4.7-S	16	4.7	1.60	0.80			✓		2.24"(57)	6.93"(176)	2.11"(53.6)
RP240-16-10-QD	16	10	3.60	1.80	✓				2.24"(57)	6.06"(154)	2.11"(53.6)
RP240-16-10-S	16	10	3.60	1.80			✓		2.24"(57)	6.93"(176)	2.11"(53.6)
RP240-16-22-QD	16	22	8.00	4.00	✓				2.24"(57)	6.06"(154)	2.11"(53.6)
RP240-16-22-S	16	22	8.00	4.00			✓		2.24"(57)	6.93"(176)	2.11"(53.6)

ADDITIONAL MODEL NO. >>

RP240

HIGH PERFORMANCE DUAL STAGE POWER LINE FILTER

MODEL NO.	RATED CURRENT, A @ 40° C	Y-CAP, nF	LEAKAGE CURRENT, mA @ 250V AC, 50 Hz / @ 120V AC, 60 Hz		TERMINAL OPTIONS				MAX. DIMENSIONS" (MM)		
					(QD) IN/ OUTPUT	(W) IN/ OUTPUT	(S) IN/ OUTPUT	(C) IN/ OUTPUT	WIDTH	(LENGTH)	HEIGHT
RP240-16-100-QD	16	100	36.00	18.00	✓				2.24"(57)	6.06"(154)	2.11"(53.6)
RP240-16-100-S	16	100	36.00	18.00			✓		2.24"(57)	6.93"(176)	2.11"(53.6)
RP240-25-0-C	25	0	-	-				✓	*	*	*
RP240-25-0-S	25	0	-	-			✓		5.23"(132.9)	7.36"(186.8)	2.50"(63.5)
RP240-25-0-W	25	0	-	-		✓			*	*	*
RP240-25-2.2-C	25	2.2	0.80	0.40				✓	*	*	*
RP240-25-2.2-S	25	2.2	0.80	0.40			✓		5.23"(132.9)	7.36"(186.8)	2.50"(63.5)
RP240-25-2.2-W	25	2.2	0.80	0.40		✓			*	*	*
RP240-25-4.7-C	25	4.7	1.60	0.80				✓	*	*	*
RP240-25-4.7-S	25	4.7	1.60	0.80			✓		5.23"(132.9)	7.36"(186.8)	2.50"(63.5)
RP240-25-4.7-W	25	4.7	1.60	0.80		✓			*	*	*
RP240-25-10-C	25	10	3.60	1.80				✓	*	*	*
RP240-25-10-S	25	10	3.60	1.80			✓		5.23"(132.9)	7.36"(186.8)	2.50"(63.5)
RP240-25-10-W	25	10	3.60	1.80		✓			*	*	*
RP240-25-22-C	25	22	8.00	4.00				✓	*	*	*
RP240-25-22-S	25	22	8.00	4.00			✓		5.23"(132.9)	7.36"(186.8)	2.50"(63.5)
RP240-25-22-W	25	22	8.00	4.00		✓			*	*	*
RP240-25-100-C	25	100	36.00	18.00				✓	*	*	*
RP240-25-100-S	25	100	36.00	18.00			✓		5.23"(132.9)	7.36"(186.8)	2.50"(63.5)
RP240-25-100-W	25	100	36.00	18.00		✓			*	*	*
RP240-36-0-C	36	0	-	-				✓	*	*	*
RP240-36-0-S	36	0	-	-			✓		5.23"(132.9)	7.36"(186.8)	2.50"(63.5)
RP240-36-0-W	36	0	-	-		✓			*	*	*
RP240-36-2.2-C	36	2.2	0.80	0.40				✓	*	*	*
RP240-36-2.2-S	36	2.2	0.80	0.40			✓		5.23"(132.9)	7.36"(186.8)	2.50"(63.5)
RP240-36-2.2-W	36	2.2	0.80	0.40		✓			*	*	*
RP240-36-4.7-C	36	4.7	1.60	0.80				✓	*	*	*
RP240-36-4.7-S	36	4.7	1.60	0.80			✓		5.23"(132.9)	7.36"(186.8)	2.50"(63.5)
RP240-36-4.7-W	36	4.7	1.60	0.80		✓			*	*	*
RP240-36-10-C	36	10	3.60	1.80				✓	*	*	*
RP240-36-10-S	36	10	3.60	1.80			✓		5.23"(132.9)	7.36"(186.8)	2.50"(63.5)
RP240-36-10-W	36	10	3.60	1.80		✓			*	*	*
RP240-36-22-C	36	22	8.00	4.00				✓	*	*	*
RP240-36-22-S	36	22	8.00	4.00			✓		5.23"(132.9)	7.36"(186.8)	2.50"(63.5)

ADDITIONAL MODEL NO. >>

RP240

HIGH PERFORMANCE DUAL STAGE POWER LINE FILTER

MODEL NO.	RATED CURRENT, A @ 40° C	Y-CAP, nF	LEAKAGE CURRENT, mA @ 250V AC, 50 Hz / @ 120V AC, 60 Hz		TERMINAL OPTIONS				MAX. DIMENSIONS" (MM)		
					(QD) IN/ OUTPUT	(W) IN/ OUTPUT	(S) IN/ OUTPUT	(C) IN/ OUTPUT	WIDTH	(LENGTH)	HEIGHT
RP240-36-22-W	36	22	8.00	4.00		✓			*	*	*
RP240-36-100-C	36	100	36.00	18.00				✓	*	*	*
RP240-36-100-S	36	100	36.00	18.00			✓		5.23"(132.9)	7.36"(186.8)	2.50"(63.5)
RP240-36-100-W	36	100	36.00	18.00		✓			*	*	*
RP240-50-0-C	50	0	-	-				✓	*	*	*
RP240-50-0-S	50	0	-	-			✓		5.23"(132.9)	7.36"(186.8)	2.50"(63.5)
RP240-50-0-W	50	0	-	-		✓			*	*	*
RP240-50-2.2-C	50	2.2	0.80	0.40				✓	*	*	*
RP240-50-2.2-S	50	2.2	0.80	0.40			✓		5.23"(132.9)	7.36"(186.8)	2.50"(63.5)
RP240-50-2.2-W	50	2.2	0.80	0.40		✓			*	*	*
RP240-50-4.7-C	50	4.7	1.60	0.80				✓	*	*	*
RP240-50-4.7-S	50	4.7	1.60	0.80			✓		5.23"(132.9)	7.36"(186.8)	2.50"(63.5)
RP240-50-4.7-W	50	4.7	1.60	0.80		✓			*	*	*
RP240-50-10-C	50	10	3.60	1.80				✓	*	*	*
RP240-50-10-S	50	10	3.60	1.80			✓		5.23"(132.9)	7.36"(186.8)	2.50"(63.5)
RP240-50-10-W	50	10	3.60	1.80		✓			*	*	*
RP240-50-22-C	50	22	8.00	4.00				✓	*	*	*
RP240-50-22-S	50	22	8.00	4.00			✓		5.23"(132.9)	7.36"(186.8)	2.50"(63.5)
RP240-50-22-W	50	22	8.00	4.00		✓			*	*	*
RP240-50-100-C	50	100	36.00	18.00				✓	*	*	*
RP240-50-100-S	50	100	36.00	18.00			✓		5.23"(132.9)	7.36"(186.8)	2.50"(63.5)
RP240-50-100-W	50	100	36.00	18.00		✓			*	*	*
RP240-80-0-C	80	0	-	-				✓	5.48"(139)	7.87"(200)	2.50"(64)
RP240-80-0-S	80	0	-	-			✓		3.50"(88.9)	10.00"(254)	2.75"(69.9)
RP240-80-0-W	80	0	-	-		✓			*	*	*
RP240-80-2.2-C	80	2.2	0.80	0.40				✓	5.48"(139)	7.87"(200)	2.50"(64)
RP240-80-2.2-S	80	2.2	0.80	0.40			✓		3.50"(88.9)	10.00"(254)	2.75"(69.9)
RP240-80-2.2-W	80	2.2	0.80	0.40		✓			*	*	*
RP240-80-4.7-C	80	4.7	1.60	0.80				✓	5.48"(139)	7.87"(200)	2.50"(64)
RP240-80-4.7-S	80	4.7	1.60	0.80			✓		3.50"(88.9)	10.00"(254)	2.75"(69.9)
RP240-80-4.7-W	80	4.7	1.60	0.80		✓			*	*	*
RP240-80-10-C	80	10	3.60	1.80				✓	5.48"(139)	7.87"(200)	2.50"(64)
RP240-80-10-S	80	10	3.60	1.80			✓		3.50"(88.9)	10.00"(254)	2.75"(69.9)
RP240-80-10-W	80	10	3.60	1.80		✓			*	*	*

ADDITIONAL MODEL NO. >>

RP240

HIGH PERFORMANCE DUAL STAGE POWER LINE FILTER

MODEL NO.	RATED CURRENT, A @ 40° C	Y-CAP, nF	LEAKAGE CURRENT, mA @ 250V AC, 50 Hz / @ 120V AC, 60 Hz		TERMINAL OPTIONS				MAX. DIMENSIONS" (MM)		
					(QD)IN/ OUTPUT	(W) IN/ OUTPUT	(S) IN/ OUTPUT	(C) IN/ OUTPUT	WIDTH	(LENGTH)	HEIGHT
RP240-80-22-C	80	22	8.00	4.00				✓	5.48"(139)	7.87"(200)	2.50"(64)
RP240-80-22-S	80	22	8.00	4.00			✓		3.50"(88.9)	10.00"(254)	2.75"(69.9)
RP240-80-22-W	80	22	8.00	4.00	✓				*	*	*
RP240-80-100-C	80	100	36.00	18.00				✓	5.48"(139)	7.87"(200)	2.50"(64)
RP240-80-100-S	80	100	36.00	18.00			✓		3.50"(88.9)	10.00"(254)	2.75"(69.9)
RP240-80-100-W	80	100	36.00	18.00	✓				*	*	*
RP240-100-0-C	100	0	-	-				✓	5.48"(139)	7.87"(200)	2.50"(64)
RP240-100-0-S	100	0	-	-			✓		3.50"(88.9)	10.00"(254)	2.75"(69.9)
RP240-100-0-W	100	0	-	-	✓				*	*	*
RP240-100-2.2-C	100	2.2	0.80	0.40				✓	5.48"(139)	7.87"(200)	2.50"(64)
RP240-100-2.2-S	100	2.2	0.80	0.40			✓		3.50"(88.9)	10.00"(254)	2.75"(69.9)
RP240-100-2.2-W	100	2.2	0.80	0.40	✓				*	*	*
RP240-100-4.7-C	100	4.7	1.60	0.80				✓	5.48"(139)	7.87"(200)	2.50"(64)
RP240-100-4.7-S	100	4.7	1.60	0.80			✓		3.50"(88.9)	10.00"(254)	2.75"(69.9)
RP240-100-4.7-W	100	4.7	1.60	0.80	✓				*	*	*
RP240-100-10-C	100	10	3.60	1.80				✓	5.48"(139)	7.87"(200)	2.50"(64)
RP240-100-10-S	100	10	3.60	1.80			✓		3.50"(88.9)	10.00"(254)	2.75"(69.9)
RP240-100-10-W	100	10	3.60	1.80	✓				*	*	*
RP240-100-22-C	100	22	8.00	4.00				✓	5.48"(139)	7.87"(200)	2.50"(64)
RP240-100-22-S	100	22	8.00	4.00			✓		3.50"(88.9)	10.00"(254)	2.75"(69.9)
RP240-100-22-W	100	22	8.00	4.00	✓				*	*	*
RP240-100-100-C	100	100	36.00	18.00				✓	5.48"(139)	7.87"(200)	2.50"(64)
RP240-100-100-S	100	100	36.00	18.00			✓		3.50"(88.9)	10.00"(254)	2.75"(69.9)
RP240-100-100-W	100	100	36.00	18.00	✓				*	*	*
RP240-150-0-C	150	0	-	-				✓	*	*	*
RP240-150-0-S	150	0	-	-			✓		4.00"(101.6)	12.99"(330)	3.25"(82.6)
RP240-150-0-W	150	0	-	-	✓				*	*	*
RP240-150-2.2-C	150	2.2	0.80	0.40				✓	*	*	*
RP240-150-2.2-S	150	2.2	0.80	0.40			✓		4.00"(101.6)	12.99"(330)	3.25"(82.6)
RP240-150-2.2-W	150	2.2	0.80	0.40	✓				*	*	*
RP240-150-4.7-C	150	4.7	1.60	0.80				✓	*	*	*
RP240-150-4.7-S	150	4.7	1.60	0.80			✓		4.00"(101.6)	12.99"(330)	3.25"(82.6)
RP240-150-4.7-W	150	4.7	1.60	0.80	✓				*	*	*
RP240-150-10-C	150	10	3.60	1.80				✓	*	*	*

ADDITIONAL MODEL NO. >>

RP240

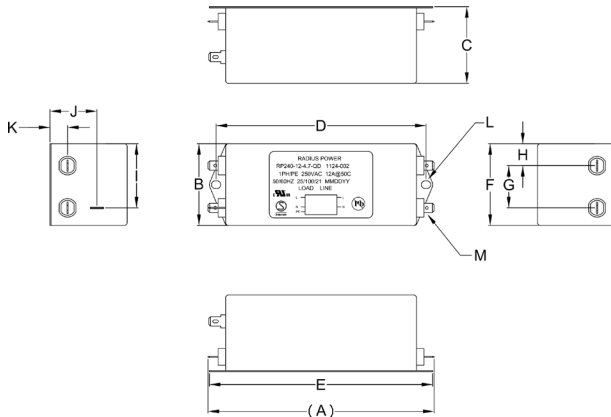
HIGH PERFORMANCE DUAL STAGE POWER LINE FILTER

MODEL NO.	RATED CURRENT, A @ 40° C	Y-CAP, nF	LEAKAGE CURRENT, mA @ 250V AC, 50 Hz / @ 120V AC, 60 Hz		TERMINAL OPTIONS				MAX. DIMENSIONS" (MM)		
					(QD)IN/OUTPUT	(W) IN/OUTPUT	(S) IN/OUTPUT	(C) IN/OUTPUT	WIDTH	(LENGTH)	HEIGHT
RP240-150-10-S	150	10	3.60	1.80			✓		4.00"(101.6)	12.99"(330)	3.25"(82.6)
RP240-150-10-W	150	10	3.60	1.80	✓				*	*	*
RP240-150-22-C	150	22	8.00	4.00				✓	*	*	*
RP240-150-22-S	150	22	8.00	4.00			✓		4.00"(101.6)	12.99"(330)	3.25"(82.6)
RP240-150-22-W	150	22	8.00	4.00	✓				*	*	*
RP240-150-100-C	150	100	36.00	18.00				✓	*	*	*
RP240-150-100-S	150	100	36.00	18.00			✓		4.00"(101.6)	12.99"(330)	3.25"(82.6)
RP240-150-100-W	150	100	36.00	18.00	✓				*	*	*

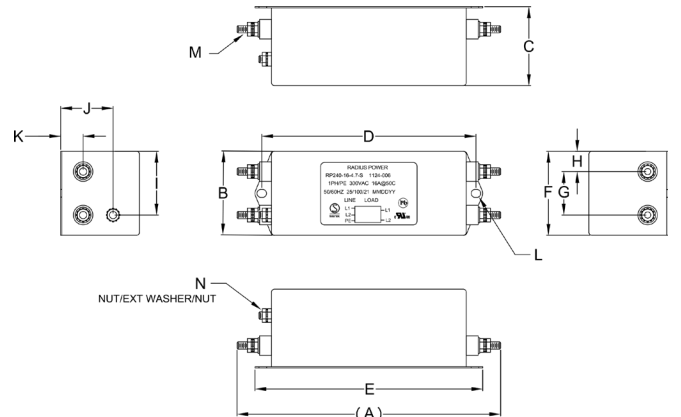
*Contact factory for dimensions.

RP240 MECHANICAL OUTLINES (MM)

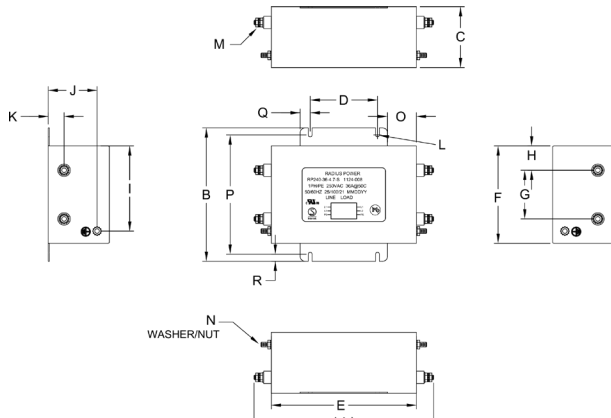
QD TABS



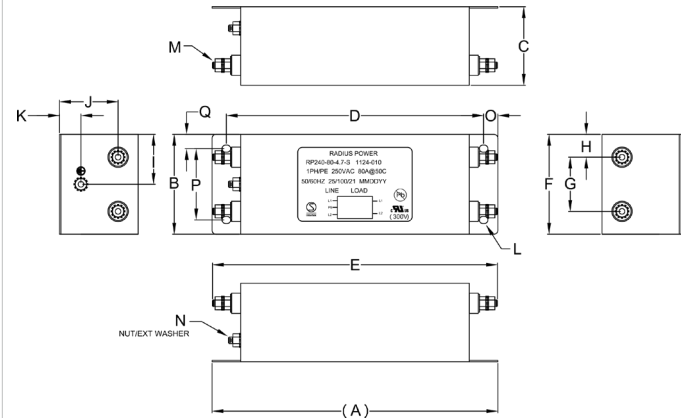
STUDS (12/16 AMPS)



STUDS (25/36/50 AMPS)

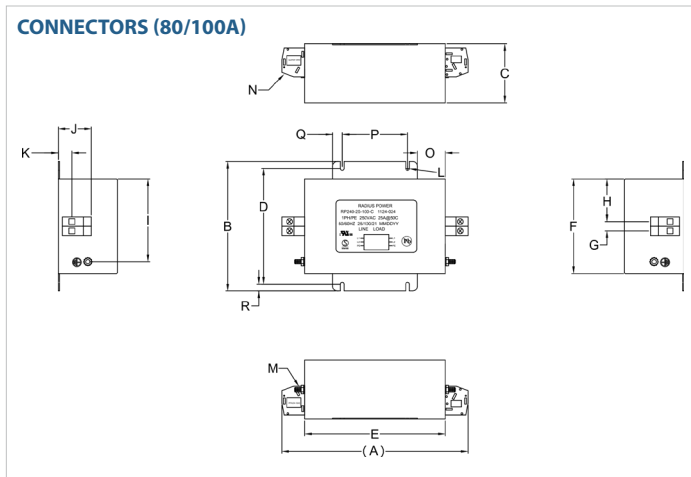


STUDS (80/100/150 AMPS)



RP240

HIGH PERFORMANCE DUAL STAGE POWER LINE FILTER



CONNECTORS (80/100A)

SERIES	(A)	B	C	D	E	F	G	H	I	J	K	L	M	N	O	P	Q	R
QD TABS (6A)	4.61" (117)	2.28" (58)	1.81" (46)	4.09" (104)	4.53" (115)	2.24" (57)	0.98" (25)	0.63" (16)	1.57" (40)	1.28" (32.5)	0.47" (12)	∅, 6.4x5.3, 2x	0.25", 5x QD, MALE, 6.35, 5x	N/A	N/A	N/A	N/A	N/A
QD TABS (12/16A)	6.06" (154)	2.24" (57)	2.11" (53.6)	5.63" (143)	5.99" (152.1)	2.24" (57)	1.14" (29)	0.47" (12)	1.61" (41)	1.26" (32)	0.47" (12)	∅, 6.4x5.3, 2x	0.25", 5x QD, MALE, 6.35, 5x	N/A	N/A	N/A	N/A	N/A
STUDS (12/16A)	6.93" (176)	2.24" (57)	2.11" (53.6)	5.63" (143)	5.99" (152.1)	2.24" (57)	1.14" (29)	0.53" (13.5)	1.67" (42.5)	1.38" (35)	0.59" (15)	∅, 6.4x5.3, 2x	STUD, M5, 4x	STUD, GND, M5	N/A	N/A	N/A	N/A
STUDS (25/36/50A)	7.36" (186.8)	5.23" (132.9)	2.50" (63.5)	2.76" (70)	5.94" (150.9)	4.00" (101.6)	2.00" (50.8)	1.00" (25.4)	3.50" (88.9)	2.00" (50.8)	0.65" (16.5)	R2.0, 4X	STUD, M5, 4x	STUD, GND, M5, 2x	1.18" (30)	4.90" (124.5)	0.41" (10.4)	0.29" (7.4)
STUDS (80/100A)	10.00" (254)	3.50" (88.9)	2.75" (69.9)	9.00" (228.6)	9.97" (253.2)	3.50" (88.9)	1.90" (48.3)	0.80" (20.3)	1.75" (44.5)	2.05" (52.1)	0.75" (19.1)	∅, 7.6x6.4, 4x	STUD, M6, 4x	STUD, GND, M6	0.80" (20.3)	2.50" (63.5)	0.50" (12.7)	N/A
CONNECT. (80/100A)	7.87" (200)	5.48" (139)	2.50" (64)	4.90" (125)	5.94" (151)	4.00" (102)	0.39" (10)	1.80" (46)	3.50" (89)	1.40" (36)	0.57" (15)	R2.0, 4X	STUD, GND, M5, 2x	DINKLE PPACN- 10AS, 4x	1.18" (30)	2.76" (70)	0.41" (10)	0.29" (7)
STUDS (150A)	12.99" (330)	4.00" (101.6)	3.25" (82.6)	11.00" (279.4)	12.00" (304.8)	4.00" (101.6)	2.00" (50.8)	0.96" (24.5)	2.00" (50.8)	2.25" (57.2)	0.96" (24.5)	∅, 7.6x6.4, 4x	STUD, M10, 4x	STUD, GND, M10	0.50" (12.7)	3.00" (76.2)	0.50" (12.7)	N/A

TYPICAL TOLERANCE: +/-0.02" (0.50MM)

RP240

HIGH PERFORMANCE DUAL STAGE POWER LINE FILTER

TYPICAL INSERTION LOSS, dB (50/50 Ohm)

Amps	Freq (MHz)	0.15	0.5	1.0	10	30
6	CM (dB)	60	62	62	52	45
	DM (dB)	40	60	68	60	60
12	CM (dB)	60	62	62	50	40
	DM (dB)	40	60	68	60	60
16	CM (dB)	60	62	62	50	40
	DM (dB)	40	60	68	60	60
25	CM (dB)	24	46	50	60	69
	DM (dB)	25	40	60	65	65
36	CM (dB)	24	46	50	60	69
	DM (dB)	25	40	60	65	65
50	CM (dB)	42	50	55	65	60
	DM (dB)	60	69	65	65	65
80	CM (dB)	28	44	55	60	60
	DM (dB)	50	52	65	65	65
100	CM (dB)	28	44	55	60	60
	DM (dB)	50	52	65	65	65
150	CM (dB)	28	44	55	60	60
	DM (dB)	50	52	65	65	65