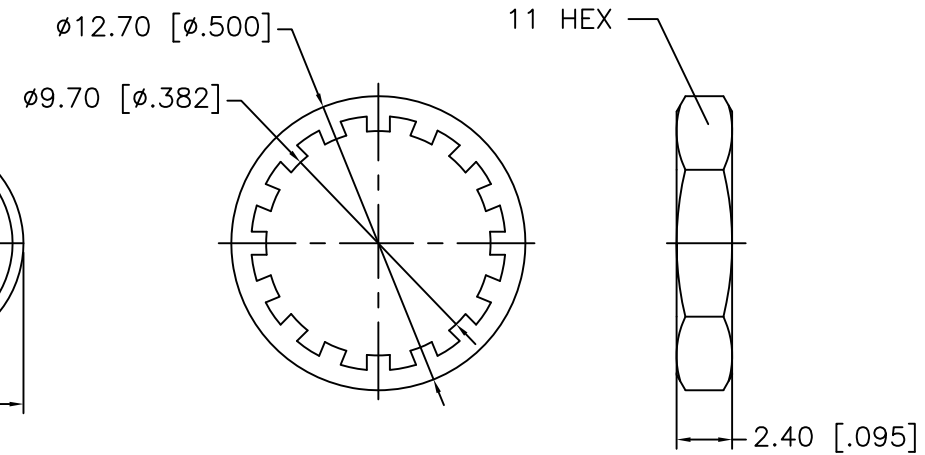
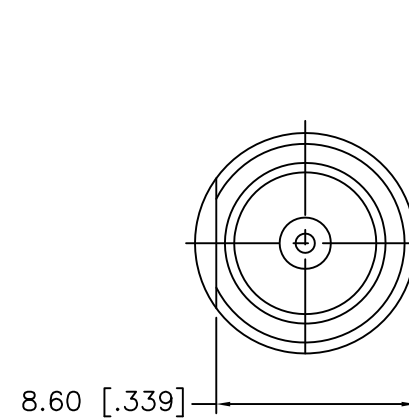
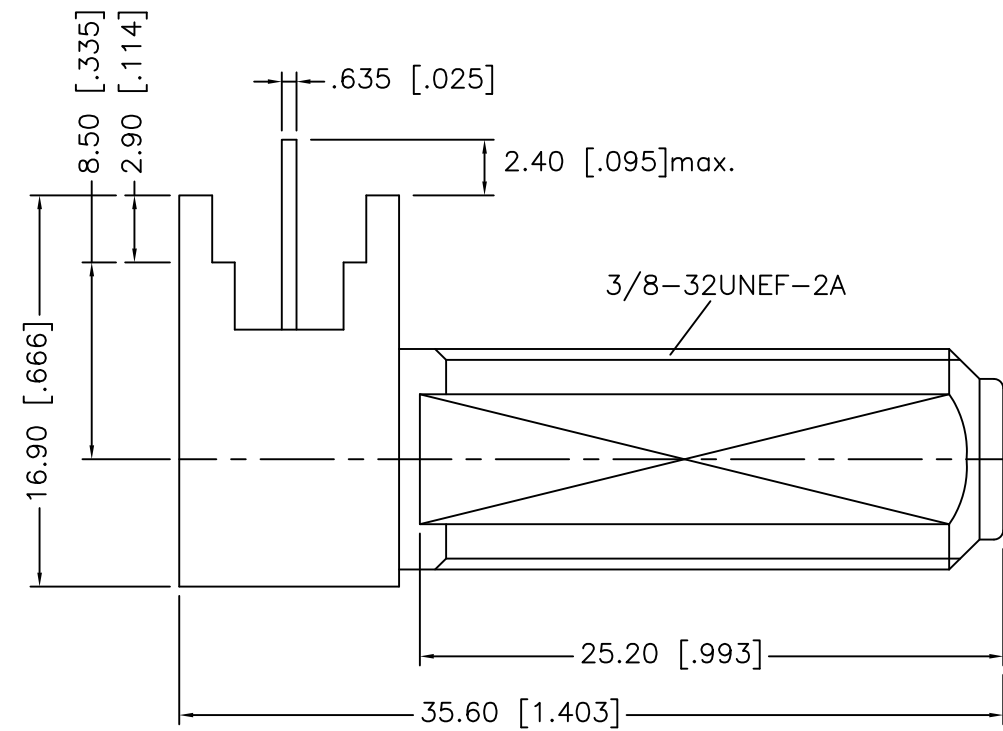
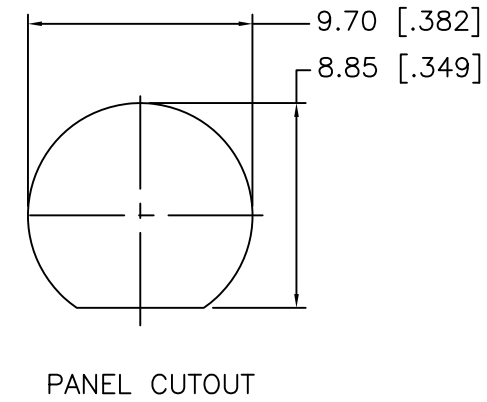
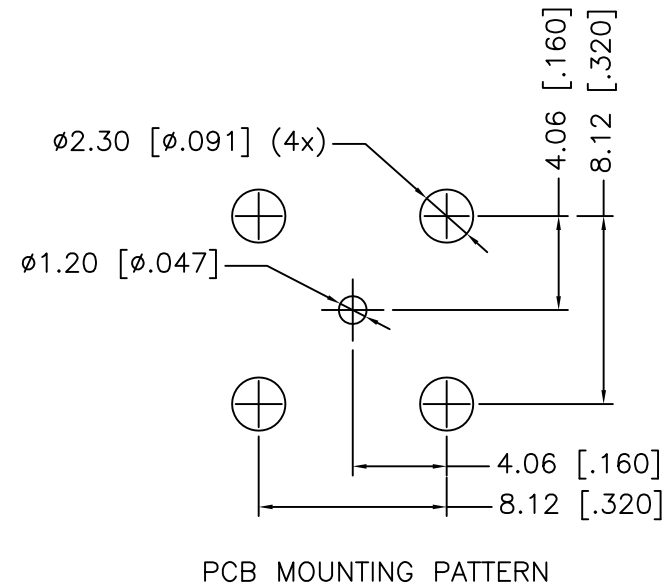
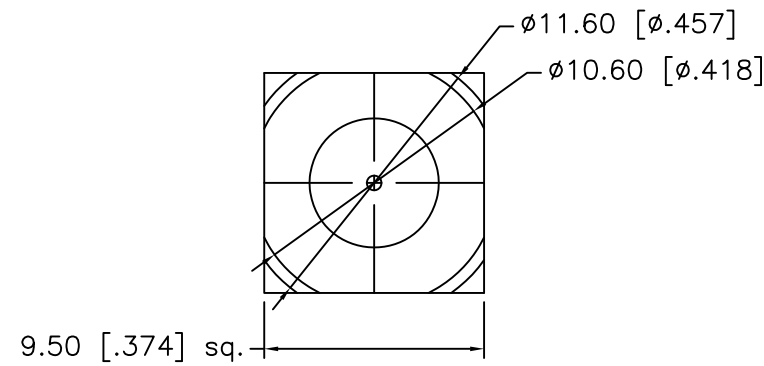


REV.	DATE	ECR	DESCRIPTION
NC	08/22/07	XXXXXX	INITIAL RELEASE
A	08/22/14	2797	ITEM 2 & 3 WERE BRIGHT TIN PLT



UNLESS OTHERWISE SPECIFIED DIMENSIONS ARE IN MILLIMETERS. DIMENSIONS IN [ ] ARE IN INCHES AND FOR CUSTOMER REFERENCE ONLY.

UNLESS OTHERWISE SPECIFIED TOLERANCES FOR MILLIMETERS ARE:  
0.5 - 8mm ± 0.20mm  
8 - 30mm ± 0.40mm  
30 - 120mm ± 0.50mm

UNLESS OTHERWISE SPECIFIED TOLERANCES FOR INCHES ARE:  
.020 - .315 = ± 0.007"  
.315 - 1.180 = ± 0.015"  
1.180 - 4.724 = ± 0.020"

DO NOT SCALE DRAWING

APPROVALS	DATE
DRAWN G.R.S.	08/22/07
CHECKED	
ISSUED	
SHEET 1 OF 1	
CAD FILE C:/222/222128-11.DWG	

# Amphenol Connex

PART DESCRIPTION			
F SERIES R/A PCB RECEPTACLE WITH NUT AND WASHER			
PART NO.			
222128-11			
DWG. NO.	REV.	SIZE	SCALE
222128-11.DWG	A	A	NA

QTY	FINISH	MATERIAL	DESCRIPTION
1	NICKEL	BRASS	BODY
1	GOLD	BRASS	CONTACT PIN
2	NATURAL	POLY PRO	INSULATOR
2	NATURAL	DELRIN	INSULATOR
1	NICKEL	SS41	LOCK WASHER
1	NICKEL	BRASS	HEX NUT