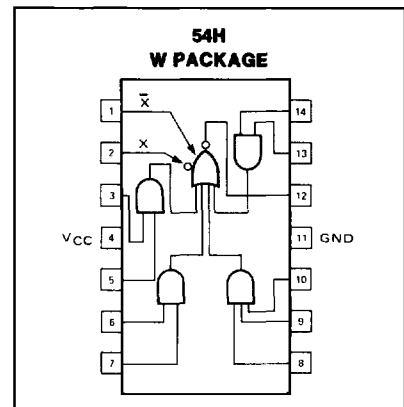
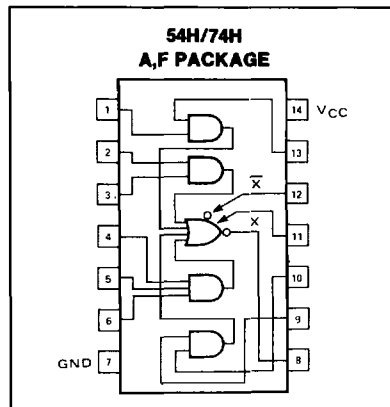
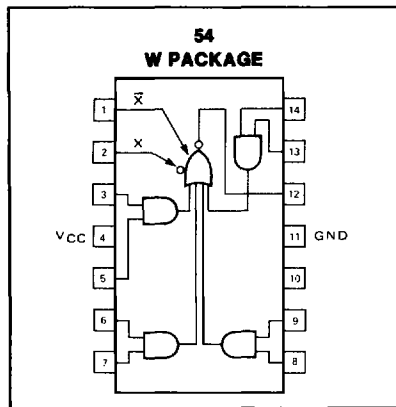
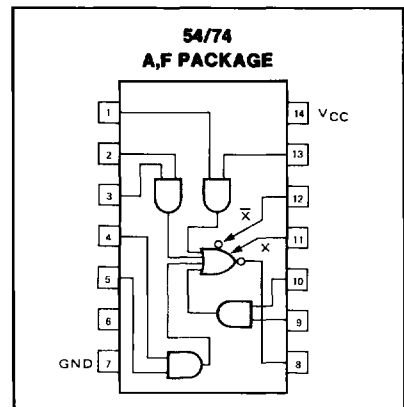
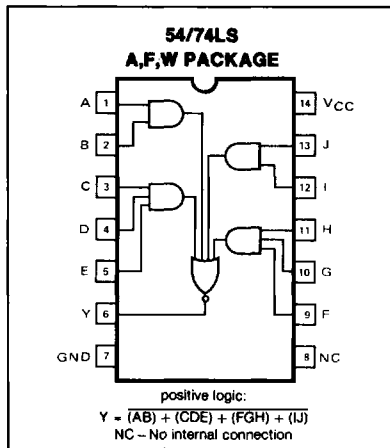


SPEED/PACKAGE AVAILABILITY

54 F,W	74 A,F
54H F,W	74H A,F
54LS F,W	74LS A,F

PIN CONFIGURATION



SWITCHING CHARACTERISTICS $V_{CC} = 5V, T_A = 25^\circ C$

TEST CONDITIONS	54/74			54/74H			54/74LS			UNIT
	MIN	TYP	MAX	MIN	TYP	MAX	MIN	TYP	MAX	
Propagation delay time t_{pLH} Low-to-high		13	22		7	11		7	20	ns
t_{pHL} High-to-low		8	15		6.2	11		11.5	20	ns

Load circuit and typical waveforms are shown at the front of section.
Make no external connection to X and \bar{X} pins of the 54/7454 and 54/74H54.