

CTAC0805F Series From 3.9nH to 33nH

SPECIFICATIONS

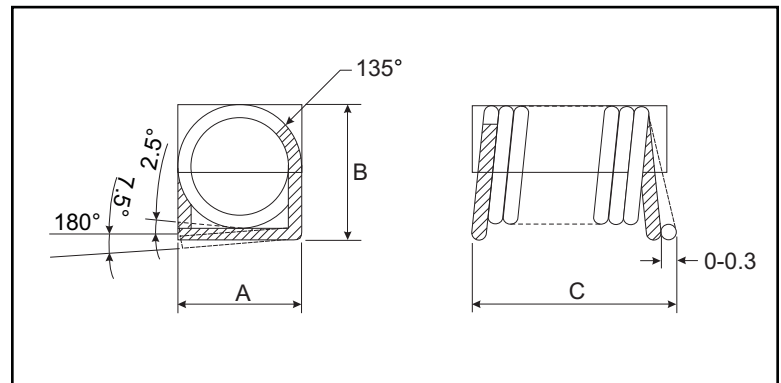
Parts are available in $\pm 10\%$ inductance tolerance only.

Part Number	Inductance (nH)	Test Freq. (MHz)	Q Min.	SRF (MHz) Min.	DCR (m Ω) Max.	IDC (mA) Max.
CTAC0805F-3N9K	3.9	300	80	>3000	2.6	1200
CTAC0805F-4N7K	4.7	300	80	>3000	3.6	900
CTAC0805F-5N6K	5.6	300	80	>3000	3.7	950
CTAC0805F-6N8K	6.8	300	80	>3000	4.5	900
CTAC0805F-8N2K	8.2	300	80	>3000	5.3	840
CTAC0805F-10NK	10	300	70	>3000	5.4	900
CTAC0805F-12NK	12	300	70	>3000	6.3	900
CTAC0805F-15NK	15	300	70	2500	7.2	900
CTAC0805F-18NK	18	300	70	2500	12.5	500
CTAC0805F-22NK	22	300	70	2400	12.9	550
CTAC0805F-27NK	27	300	70	1600	14.5	550
CTAC0805F-33NK	33	300	70	1600	18.7	500



PHYSICAL DIMENSIONS

Size	A	B	C
	Max.	Max.	Max.
mm	1.80	2.10	2.85
inches	0.071	0.083	0.112



CHARACTERISTICS

Description: SMD air core inductor

Applications: Pager, Cordless phone & High Freq. Communication Products, Intercom, CATV

Operating Temperature: -25°C to +85°C

Inductance Tolerance: $\pm 10\%$

Testing: Inductance is tested on a HP4286A at 300MHz

Packaging: Tape & Reel.

Miscellaneous: **RoHS Compliant.**

Additional Information: Additional electrical & physical information available upon request.

Samples available. See website for ordering information.

PAD LAYOUT

