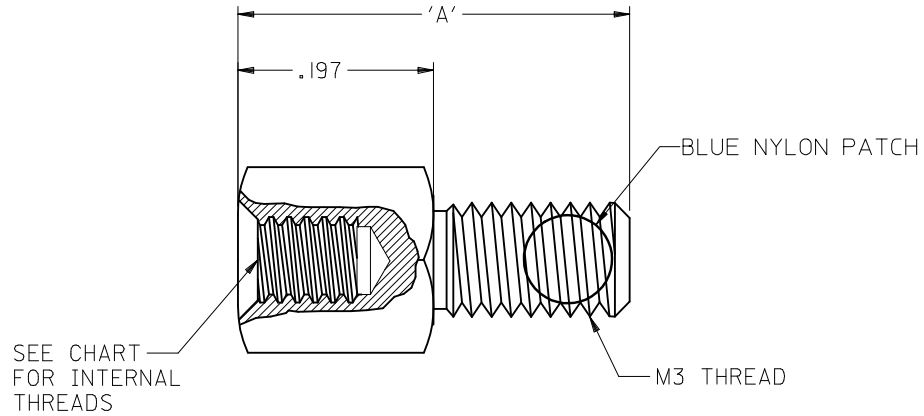
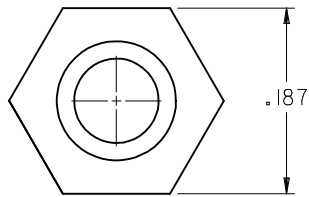
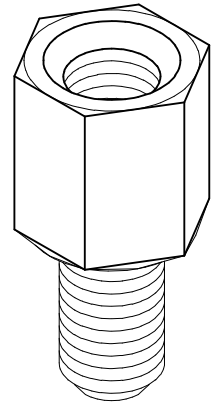


ITEM #	INTERNAL THREAD	EXTERNAL THREAD	DIMENSION 'A'	FINISH
70982-1008	4-40 UNC	M3	.433	CLEAR TRIVALENT CHROMATE



SEE CHART FOR INTERNAL THREADS

- NOTES:
 1. MATERIAL: COLD DRAWN STEEL.
 2. PARTS TO BE BULKED PACKAGED.

INITIAL RELEASE EC NO: UCP2007-2413 DRAWN BY: MIBARRA 2007/05/15 CHKD: DMORGAN 2007/05/21 APPR: SMILLER 2007/05/21	QUALITY SYMBOLS	GENERAL TOLERANCES (UNLESS SPECIFIED)		DIMENSION STYLE INCH ONLY		SCALE	DESIGN UNITS INCH	THIRD ANGLE PROJECTION		
			mm	INCH	DRAWN BY	DATE	TITLE 3/16 HEX. SCREWLOCK WITH NYLON PATCH HARDWARE KIT			
		4 PLACES	± .005	± .0005	MIBARRA	2007/03/27				
		3 PLACES	± .005	± .0005	CHECKED BY	DATE	MOLEX INCORPORATED DOCUMENT NO. SD-70982-002 SHEET NO. 1 OF 1			
2 PLACES	± .005	± .0005	DMORGAN	2007/03/27						
1 PLACE	± .005	± .0005	APPROVED BY	DATE	MATERIAL NO. SEE TABLE THIS DRAWING CONTAINS INFORMATION THAT IS PROPRIETARY TO MOLEX INCORPORATED AND SHOULD NOT BE USED WITHOUT WRITTEN PERMISSION					
ANGULAR ±1/2°		SMILLER		2007/03/27						
DRAFT WHERE APPLICABLE MUST REMAIN WITHIN DIMENSIONS		SIZE B								