



# 1967.5 MHz / 2157.5 MHz Cavity Duplexer

## Part Number: AD1967-2157D441

**ANATECH ELECTRONICS INC**  
RF & Microwave Filters & Products

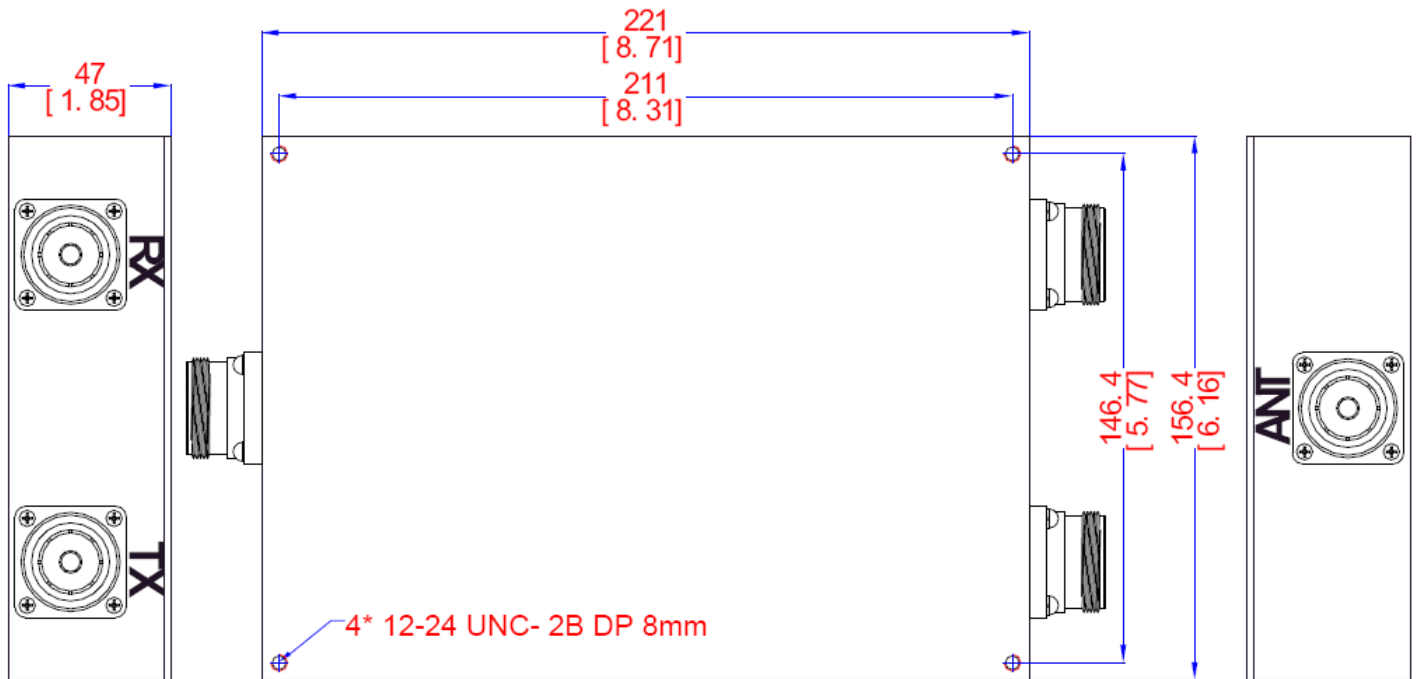


<u>Characteristics</u>	<u>Band 1</u>	<u>Band 2</u>
<b>Passband:</b>	1965-1970 MHz	2155-2160 MHz
<b>Bandwidth:</b>	5 MHz	5 MHz
<b>Passband Return Loss:</b>	≥18 dB	≥18 dB
<b>Passband Insertion Loss:</b>	≤1.8 dB	≤0.7 dB
<b>Input / Output Impedance:</b>	50 Ohms	50 Ohms
<b>Isolation:</b>	≥60 dB	≥60 dB
<b>Power Handling:</b>	250 W	250 W
<b>PIM3 (2*43dBm):</b>	-145dBc (TYP:-150dBc)	-145dBc (TYP:-150dBc)

<u>Mechanical</u>	
<b>Mounting Method:</b>	Threaded Mounting Holes
<b>Connector Type:</b>	7/16 (F)
<b>Dimensions:</b>	8.71 x 6.16 x 1.85 inches

<u>Environmental</u>	
<b>Operating Temperature:</b>	-40 to +65 deg.C
<b>Storage Temperature:</b>	-50 to +90 deg.C
<b>Environmental Protection:</b>	IP65

### Outline Drawing:





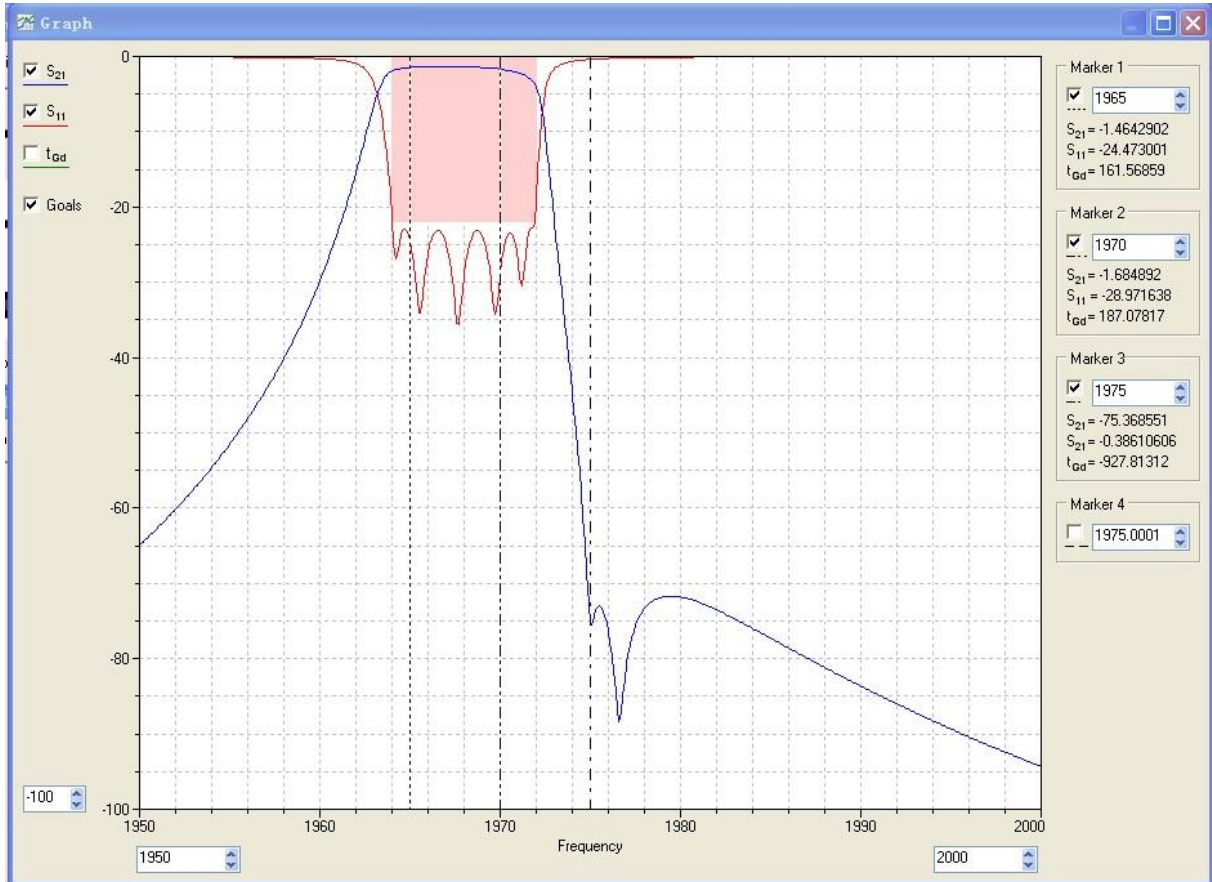
# 1967.5 MHz / 2157.5 MHz Cavity Duplexer

Part Number: AD1967-2157D441

**ANATECH ELECTRONICS INC**  
RF & Microwave Filters & Products



## Response Plots:





# 1967.5 MHz / 2157.5 MHz Cavity Duplexer

Part Number: AD1967-2157D441

**ANATECH ELECTRONICS INC**  
RF & Microwave Filters & Products



## Response Plots:

