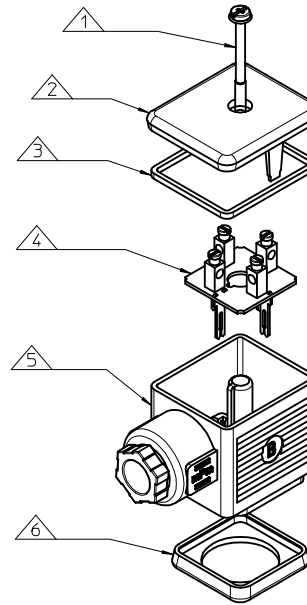


- NOTES
- PLEASE SEE SHEET 2 FOR CURRENTLY CONFIGURED PART NUMBERS. FOR SPECIFIC PART NUMBERS PLEASE CONTACT SALES OR CONSULT THE INTELLIGENT PART NUMBERS IN THE TABLE ATTACHED.
 - EARTH POSITIONS AVAILABLE, H6 OR H12.
 - FOR PACKAGING SEE PACKAGING SPEC PK-121064-S14
 - PRODUCT SPEC: SEE PS-121201-001

LAST INSPECTION NUMBER 2



ITEM	DESCRIPTION
1	SCREW
2	CAP
3	GASKET
4	PCB ASSEMBLY
5	COVER ASSEMBLY
6	GASKET

S14209NR021**

- SERIES ——— S14= INTERNAL THREAD FORM A
 POLES ——— 2= 2 POLE & 3= 3 POLE
 THREAD ——— 09= PG9, 11= PG11, M6= M16x1.5, M0= M20x1.5
 MATERIAL AND HOUSING COLOUR ——— G= PA6 GRAY, N= PA6 BLACK, W= PA6 BLACK V0, T= TRANSPARENT
 CIRCUIT ——— SEE DETAILS IN CATALOGUE
 VOLTAGE ——— SEE DETAILS IN CATALOGUE
 SCREW AND GASKET ——— 1= NBR PROFILE GASKET & SCREW
 2= NBR FLAT GASKET & SCREW
 3= WHITE SILICON PROFILE GASKET & SCREW
 4= WHITE SILICON FLAT GASKET & SCREW
 NON STANDARD COMPONENTS ——— 14= PACKED IN NEUTRAL BAG

UPDATED PART DESCRIPTIONS		QUALITY SYMBOLS		GENERAL TOLERANCES (UNLESS SPECIFIED)		DIMENSION STYLE		SCALE	DESIGN UNITS	THIRD ANGLE PROJECTION
REV	DESCRIPTION	SYMBOL	VALUE	mm	INCH	MM ONLY	DATE	1:5:1	METRIC	PROJECTION
1	EC NO: IPC2013-1960	▽=0	4 PLACES ±---	±---	±---	DRAWN BY	2011/06/18			
	DRWNG:SHHEA	▽=0	3 PLACES ±---	±---	±---	JOCONNOR	2011/06/20			
	CHKD:SMCGREVV		2 PLACES ±0.1	±---	±---	CHECKED BY	2011/06/22			
	APPR:STIGLFFIN		1 PLACE ±0.2	±---	±---	DMAHER	2011/06/22			
			ANGULAR ±---°			APPROVED BY	2011/07/06			
			DRAFT WHERE APPLICABLE MUST REMAIN WITHIN DIMENSIONS			EFOLAN				
			SEE SHEET 2			MATERIAL NO.				
			SIZE A2			DOCUMENT NO.				
			THIS DRAWING CONTAINS INFORMATION THAT IS PROPRIETARY TO MOLEX INCORPORATED AND SHOULD NOT BE USED WITHOUT WRITTEN PERMISSION							

S14 SERIES
INTERNAL THREAD

MOLEX INCORPORATED

SD-121064-010

SHEET NO. 1 OF 2

PART No.	mPm PART No.	DESCRIPTION	CIRCUIT	VOLTAGE	INDICATOR COLOUR
1210640408	S14209GR021	TYPE A 2P PG9 GRAY NBR PROFILE GASKET	R0	24V	N/A
1210640410	S14209GR051	TYPE A 2P PG9 GRAY NBR PROFILE GASKET	R0	230V	N/A
1210640421	S14209NG021	TYPE A 2P PG9 BLACK NBR PROFILE GASKET	G0	24V	N/A
1210640426	S14209NG221	TYPE A 2P PG9 BLACK NBR PROFILE GASKET	G2	24V	RED LED
1210640427	S14209NG241	TYPE A 2P PG9 BLACK NBR PROFILE GASKET	G2	115V	RED LED
1210640429	S14209NR021	TYPE A 2P PG9 BLACK NBR PROFILE GASKET	R0	24V	N/A
1210640431	S14209NR041	TYPE A 2P PG9 BLACK NBR PROFILE GASKET	R0	115V	N/A
1210640432	S14209NR051	TYPE A 2P PG9 BLACK NBR PROFILE GASKET	R0	230V	N/A
1210640433	S14209NR121	TYPE A 2P PG9 BLACK NBR PROFILE GASKET	R1	24V	FILAMENT LAMP
1210640434	S14209NR141	TYPE A 2P PG9 BLACK NBR PROFILE GASKET	R1	115V	NEON LAMP
1210640435	S14209NR151	TYPE A 2P PG9 BLACK NBR PROFILE GASKET	R1	230V	NEON LAMP
1210640436	S14209NR221	TYPE A 2P PG9 BLACK NBR PROFILE GASKET	R2	24V	RED LED
1210640437	S14209NR241	TYPE A 2P PG9 BLACK NBR PROFILE GASKET	R2	115V	RED LED
1210640477	S14211NR021	TYPE A 2P PG11 BLACK NBR PROFILE GASKET	R0	24V	N/A
1210640479	S14211NR051	TYPE A 2P PG11 BLACK NBR PROFILE GASKET	R0	230V	N/A
1210640485	S14211NR221	TYPE A 2P PG11 BLACK NBR PROFILE GASKET	R2	24V	RED LED
1210641370	S14211NR2H1	TYPE A 2P PG11 BLACK NBR PROFILE GASKET	R2	24V	AMBER LED
1210641378	S14209NR14114	TYPE A 2P PG9 BLACK NBR PROFILE GASKET IN NEUTRAL BAG	R1	115V	NEON LAMP
1210641379	S14209NR12114	TYPE A 2P PG9 BLACK NBR PROFILE GASKET IN NEUTRAL BAG	R1	24V	FILAMENT LAMP
1210641520	S14209NR2L1	TYPE A 2P PG9 BLACK NBR PROFILE GASKET	R2	115V	AMBER LED
1210641535	S14209NR2H1	TYPE A 2P PG9 BLACK NBR PROFILE GASKET	R2	24V	AMBER LED
1210641553	S142M6NR021	TYPE A 2P M16x1.5 BLACK NBR PROFILE GASKET	R0	24V	N/A
1210641590	S142M0NR021	TYPE A 2P M20x1.5 BLACK NBR PROFILE GASKET	R0	24V	N/A
1210641591	S14211NR441	TYPE A 2P PG11 BLACK NBR PROFILE GASKET	R4	115V	N/A
1210641689	S14209NG2L1	TYPE A 2P PG9 BLACK NBR PROFILE GASKET	G2	115V	AMBER LED
1210650594	S14211GR241	TYPE A 2P PG11 GRAY NBR PROFILE GASKET	R2	115V	RED LED
1210690004	S14209NG041	TYPE A 2P PG9 BLACK NBR PROFILE GASKET	G0	115V	N/A

SEE SHEET ONE EC NO: IFC2013-1960 DRAWN BY: DRW:RJSHEA 2013/06/18 CHKD: SMGREVY 2013/06/18 APPR: STGERFFIN 2013/06/28	QUALITY SYMBOLS	GENERAL TOLERANCES (UNLESS SPECIFIED)	DIMENSION STYLE	SCALE	DESIGN UNITS	THIRD ANGLE PROJECTION															
	$\nabla=0$ $\sphericalangle=0$	<table border="1"> <tr><th colspan="2">mm</th><th>INCH</th></tr> <tr><td>4 PLACES</td><td>± ---</td><td>± ---</td></tr> <tr><td>3 PLACES</td><td>± ---</td><td>± ---</td></tr> <tr><td>2 PLACES</td><td>± 0.1</td><td>± ---</td></tr> <tr><td>1 PLACE</td><td>± 0.2</td><td>± ---</td></tr> </table> ANGULAR ± ---°	mm		INCH	4 PLACES	± ---	± ---	3 PLACES	± ---	± ---	2 PLACES	± 0.1	± ---	1 PLACE	± 0.2	± ---	MM ONLY DRAWN BY: JOCONNOR DATE: 2011/06/20 CHECKED BY: DMAHER DATE: 2011/06/22 APPROVED BY: EFOLAN DATE: 2011/07/06	2:1	METRIC	
	mm		INCH																		
	4 PLACES	± ---	± ---																		
3 PLACES	± ---	± ---																			
2 PLACES	± 0.1	± ---																			
1 PLACE	± 0.2	± ---																			
DESCRIPTION	DRAFT WHERE APPLICABLE MUST REMAIN WITHIN DIMENSIONS	MATERIAL NO.	S14 SERIES INTERNAL THREAD MOLEX INCORPORATED		DOCUMENT NO.	SHEET NO.															
REV		SIZE	SEE CHART THIS DRAWING CONTAINS INFORMATION THAT IS PROPRIETARY TO MOLEX INCORPORATED AND SHOULD NOT BE USED WITHOUT WRITTEN PERMISSION		SD-121064-010	2 OF 2															