

Figure 1

### 1. INTRODUCTION

This instruction sheet covers the use of AMP\* Extraction Tool 318851-1, which is designed to remove AMP Universal MATE-N-LOK and Universal MATE-N-LOK II pin and socket contacts from the connectors.

**NOTE**

All dimensions are in millimeters [with inches in brackets].

### 2. DESCRIPTION

The extraction tool tip is designed to enter the contact cavity in the front of the connector and release the pin or socket contact. When the extraction tip is bottomed in the contact cavity, the tool handle is depressed and

a plunger within the handle pushes the contact free of the latching shoulder in the connector.

### 3. EXTRACTION PROCEDURE (See Figure 1)

**NOTE**

The Universal MATE-N-LOK II connector must be in the pre-stage position before attempting to remove a contact.

1. While holding the Universal MATE-N-LOK (not Universal MATE-N-LOK II) connector, grasp wire at rear of housing and push forward toward the mating end to disengage contact lances from the cavity shoulder.

2. Hold the connector firmly with one hand and, after grasping the extraction tool handle with other hand, slide the extraction tool tip into the contact cavity and over the pin or socket contact to be

removed. Then depress the interlock lever and continue to slide the tip over the pin or socket until the tip bottoms.

3. a. For Universal MATE-N-LOK connector, continue to insert the tool tip over the contact until it bottoms in the contact cavity while continuing to push the wire toward the tool.

b. For Universal MATE-N-LOK II connector, insert tool tip until it rests on the contact shoulder of the lanceless contact.

4. Release the interlock lever and depress the extraction tool handle FULLY, thereby pushing the contact slightly out of the back of the contact cavity.

5. Remove the contact by pulling on the wire attached to it.

**NOTE**

If the extracted contact is NOT damaged, it may be re-inserted. If the extracted contact is a Universal MATE-N-LOK contact, the locking lances must be reset to their original position (0.76 mm [.030 in.]) as shown in Figure 1. If the extracted contact is a Universal MATE-N-LOK II contact, it may simply be re-inserted. Damaged contact must be replaced.

**4. TOOL INSPECTION/MAINTENANCE**

The extraction tool should conform to the dimensions indicated in Figure 2. It is recommended that the tool be inspected upon arrival and at regularly scheduled intervals thereafter to ensure that the tool has not become damaged during handling.

If the tool requires repair, send the tool with a written description of the problem to:

CUSTOMER SERVICE (38-35)  
AMP INCORPORATED  
P.O. BOX 3608  
HARRISBURG, PA 17105-3608

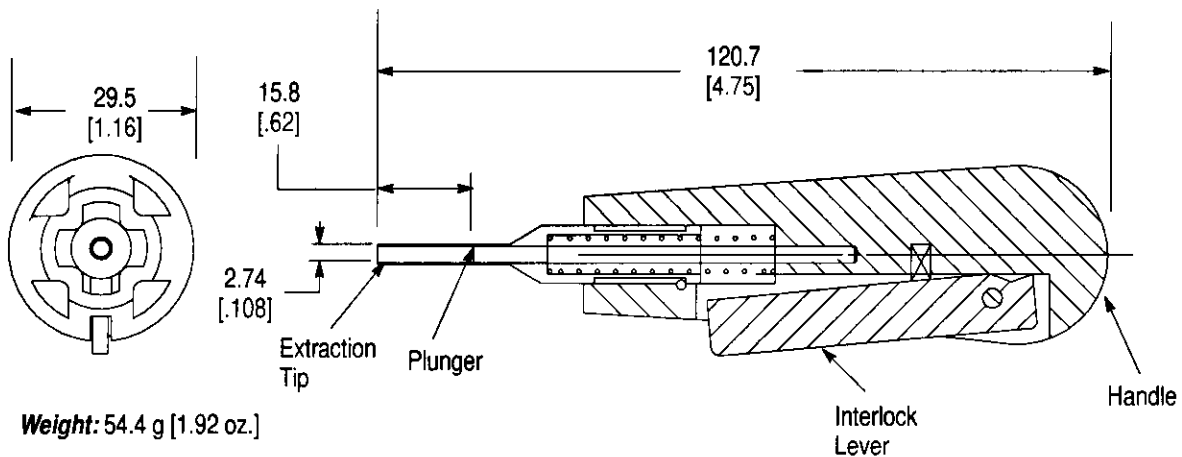


Figure 2