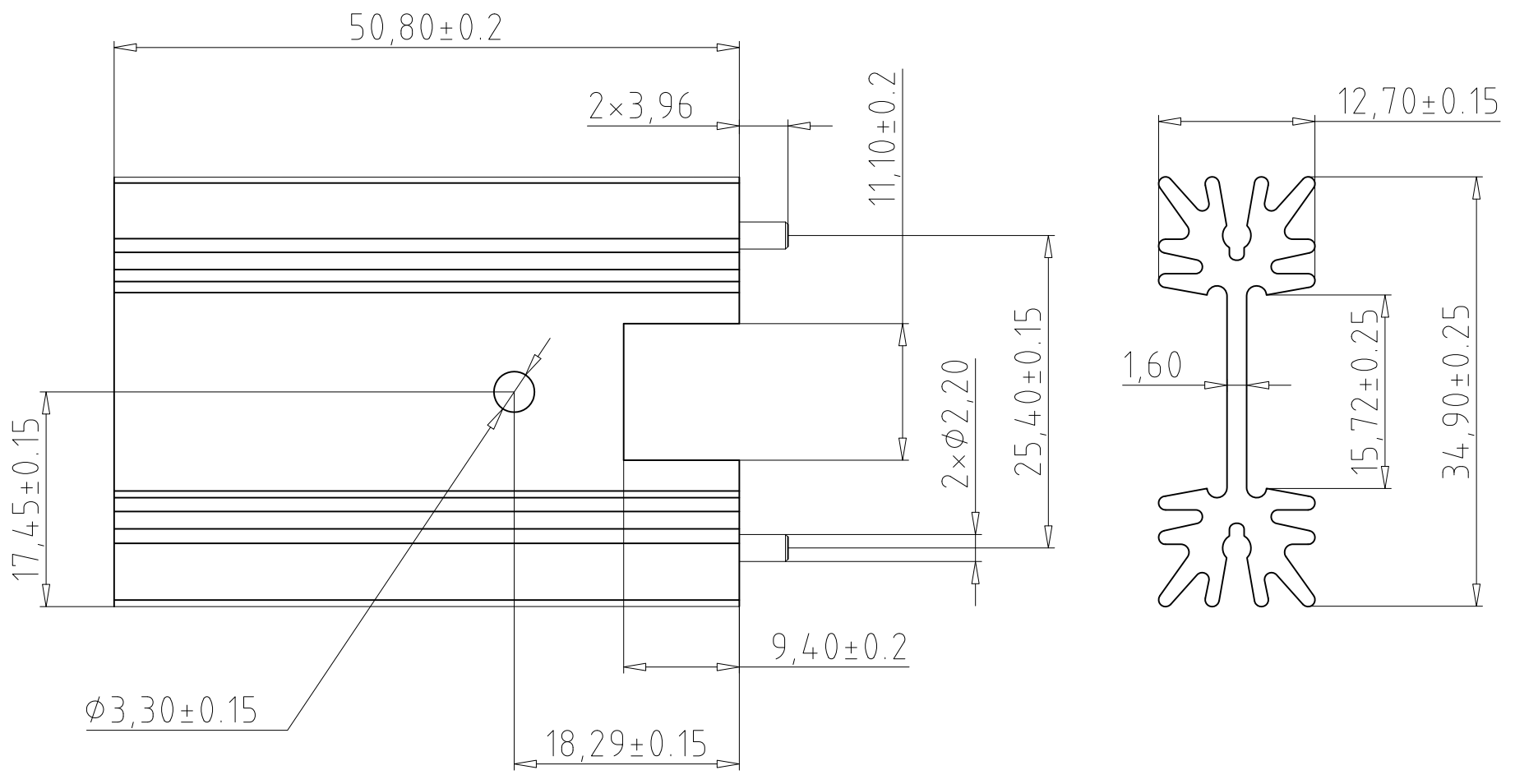


| REV | DESCRIPTION | DATE | ORIGINATOR | APPROVED |
|-----|-------------|------|------------|----------|
| A   | --          | --   | --         | --       |



NOTES:  
 1.MATERIA: AL6063-T5  
 2.FINISH:Black Anodize  
 3.BREAK AND DEBUR ALL SHARP EDGES  
 4.PART SHALL BE ROHS COMPLIANT

|   |                          |                                |                 |              |                    |
|---|--------------------------|--------------------------------|-----------------|--------------|--------------------|
| ALL DIMENSIONS ARE IN mm<br>Unindicated TOL.<br>.X ±0.35mm<br>.XX ±0.25mm<br>.XXX ±0.13mm<br>ANG. ±1.0°<br> | FINISH<br>Black Anodized |                                |                 |              |                    |
|   | DRAWN BY<br>Kevin Zhong  |                                |                 |              |                    |
|   | CHECKED BY               | CUSTOMER PART NUMBER           | DWG SIZE<br>A4  | CUS REV<br>A | CS REV<br>A        |
|   | APPROVED BY              | CS PART NUMBER<br>CSBL-177-A-0 | SHEET<br>1 of 1 | SCALE<br>1:1 | DATE<br>04/26/2022 |