



MS86S Series

Ø86mm Xenon Strobe Lights

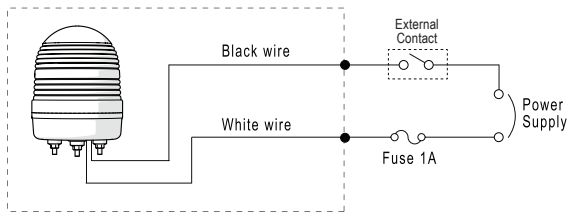


- Outstanding visibility from distance
- PCB module style Xenon lamp
- Fast and easy replacement of lamp

Specifications

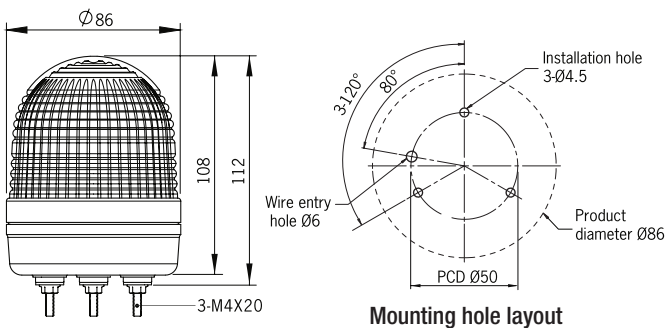
Lighting type	Xenon strobe		
Models	S00	N10	N20
Power Supply	12~24VAC/DC	110VAC	220VAC
Current Consumption	0.08~0.15A	0.07A	0.03A
Flash Rate	80 ± 10 times/minute		
Vibration	0.75mm at 10~55 Hz		
Insulation Resistance	100 MΩ minimum (500VDC mega)		
Ambient Temperature	-20~40°C		
Storage Temperature	-20~70°C		
Ambient Humidity	45~85% RH		
Degree of Protection	IP65		
Recommended Wire Size	UL 2464, 22 AWG X 2C		
Weight	300g	200g	
Certificate/Compliance	RoHS, UL		

Wiring Diagram



Dimensions

unit: mm

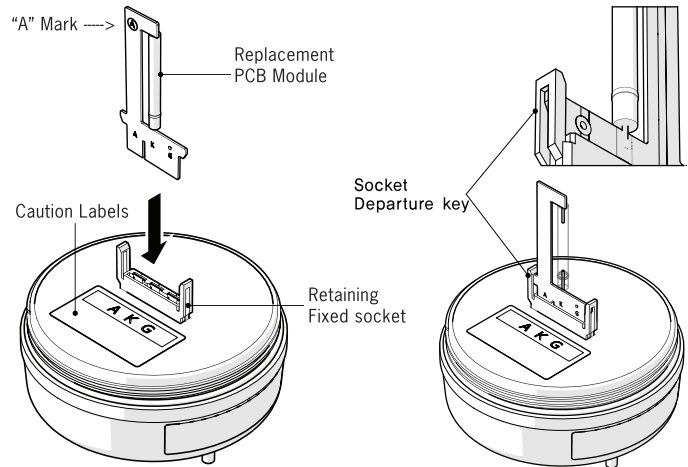


Ordering Information

MS86S - S00 - R
① ②

① Power Supply	S00	12-24V AC/DC
	N10	110V AC
	N20	220V AC
② Lens Colors	R	Red
	Y	Yellow
	G	Ground
	B	Blue
	C	Clear

How to install Xenon bulb



The new lamp should be inserted firmly to match the same signal **A K G** (or **A G K**) mark. Printed "A" in circuit and label.

- ⚠ - If you insert reverse direction, the lamp can not operate.
- ⚠ - Insert the lamp circuit board correctly. not to inclined.

Supplier No.	MS86S-LAMP-02	MS86S-LAMP-10
	Description. Xenon Lamp I - Type, 3W 12~24V Lamp life: 1,000,000 Frequency. (2,000 hours)	
		Description. Xenon Lamp U - Type, 6W AC110V / 220V Lamp life: 1,000,000 Frequency. (2,000 hours)

See page 21-23 for mounting options and accessories