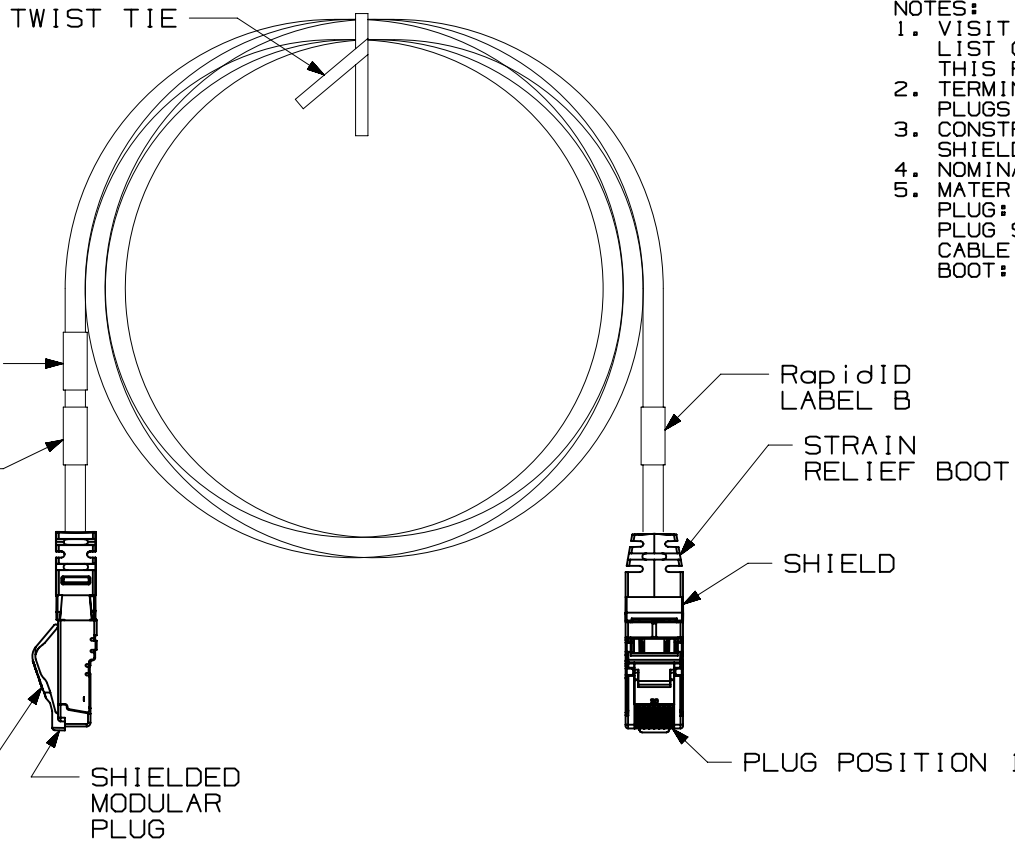


THIS COPY IS PROVIDED ON A RESTRICTED BASIS AND IS NOT TO BE USED IN ANY WAY DETRIMENTAL TO THE INTERESTS OF PANDUIT CORP.



- NOTES:
1. VISIT OUR ONLINE CATALOG AT WWW.PANDUIT.COM FOR A LIST OF CURRENT PARTS APPLICABLE FOR USE WITH THIS PRODUCT.
 2. TERMINATED WITH (8 POSITION) SHIELDED MODULAR PLUGS AT BOTH ENDS PER T568B.
 3. CONSTRUCTED WITH 26AWG STRANDED CAT6A FULLY SHIELDED, TWISTED PAIR LSZH/CM S/FTP PATCH CABLE.
 4. NOMINAL CABLE JACKET DIAMETER IS 0.248 IN (6.30MM).
 5. MATERIALS:
 PLUG: POLYCARBONATE
 PLUG SHIELD: PLATED CARTRIDGE BRASS
 CABLE SHIELD: ALUMINUM
 BOOT: TPE

| CABLE COLORS | ** = COLOR |
|--------------------|------------|
| INTERNATIONAL GRAY | IG |
| BLACK | BL |
| BLUE | BU |
| RED | RD |
| YELLOW | YL |
| GREEN | GR |
| ORANGE | OR |
| VIOLET | VL |
| PASTEL BLUE | PB |

SEE SHEET 2 FOR PATCH CORD LENGTHS AND PART NUMBERS

| T568B WIRING SCHEME | |
|---------------------|--------------|
| PLUG POSITION: | CABLE WIRE: |
| 1 | WHITE/ORANGE |
| 2 | ORANGE |
| 3 | WHITE/GREEN |
| 4 | BLUE |
| 5 | WHITE/BLUE |
| 6 | GREEN |
| 7 | WHITE/BROWN |
| 8 | BROWN |

| | | | |
|---|---------|------------------------|------|
| PART NUMBER | | STP6X** | |
| TITLE | | | |
| TX6A 10GIG SHIELDED PATCH CORDS (CM/LSZH) | | | |
| CUSTOMER DRAWING | | | |
| ITEM REVISION NAME | | M02085BA/29 | |
| DATASET FILE NAME | | M02085BA_DC01/29A | |
| | | THIRD ANGLE PROJECTION | |
| MATERIAL | | SEE NOTE 5 | |
| DRAWING NUMBER | | 02085-01 | |
| REV | DATE | BY | CHK |
| 28B | 5-24-21 | BJN | REFR |
| REV | DATE | BY | CHK |
| 28B | 5-24-21 | BJN | REFR |
| REV | DATE | BY | CHK |
| 28B | 5-24-21 | BJN | REFR |

A-SIZE CUSTOMER

| 28B | 5-24-21 | BJN | REFR | RWI | ADDED RAPID ID LABELING REVISED & REDRAWN PREVIOUS REVISIONS REMVD FOR CLARITY | 02085-01 |
|-----|---------|-----|------|-----|---|----------|
| REV | DATE | BY | CHK | APR | DESCRIPTION | ECN |
| 28B | 5-24-21 | BJN | REFR | RWI | ADDED RAPID ID LABELING REVISED & REDRAWN PREVIOUS REVISIONS REMVD FOR CLARITY | 02085-01 |

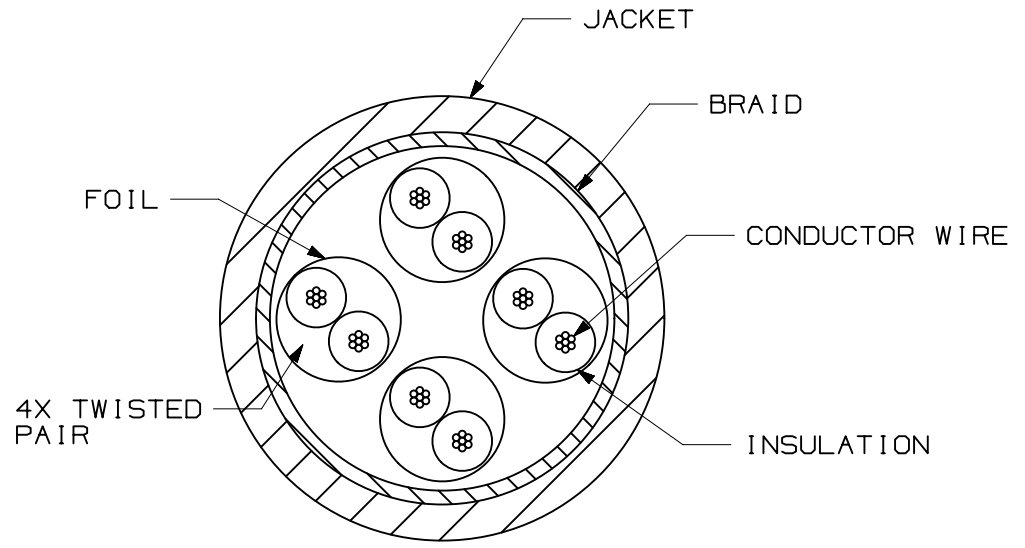
2

1

THIS COPY IS PROVIDED ON A RESTRICTED BASIS AND IS NOT TO BE USED IN ANY WAY DETRIMENTAL TO THE INTERESTS OF PANDUIT CORP.

TX6A 10GIG SHIELDED PATCH CORDS

| PANDUIT PART NUMBER | MIN. CABLE LENGTH | PANDUIT PART NUMBER | MIN. CABLE LENGTH |
|---------------------|-------------------|---------------------|-------------------|
| STP6X2** | 2 FT. | STP6X0.5M** | 0.5 METER |
| STP6X3** | 3 FT. | STP6X1M** | 1 METER |
| STP6X4** | 4 FT. | STP6X1.5M** | 1.5 METER |
| STP6X5** | 5 FT. | STP6X2M** | 2 METERS |
| STP6X6** | 6 FT. | STP6X2.5M** | 2.5 METER |
| STP6X7** | 7 FT. | STP6X3M** | 3 METERS |
| STP6X8** | 8 FT. | STP6X4M** | 4 METERS |
| STP6X9** | 9 FT. | STP6X5M** | 5 METERS |
| STP6X10** | 10 FT. | STP6X6M** | 6 METERS |
| STP6X11** | 11 FT. | STP6X7M** | 7 METERS |
| STP6X12** | 12 FT. | STP6X8M** | 8 METERS |
| STP6X13** | 13 FT. | STP6X9M** | 9 METERS |
| STP6X14** | 14 FT. | STP6X10M** | 10 METERS |
| STP6X15** | 15 FT. | STP6X15M** | 15 METERS |
| STP6X16** | 16 FT. | STP6X20M** | 20 METERS |
| STP6X17** | 17 FT. | STP6X25M** | 25 METERS |
| STP6X18** | 18 FT. | STP6X30M** | 30 METERS |
| STP6X19** | 19 FT. | STP6X35M** | 35 METERS |
| STP6X20** | 20 FT. | STP6X40M** | 40 METERS |
| STP6X25** | 25 FT. | | |
| STP6X30** | 30 FT. | | |
| STP6X35** | 35 FT. | | |
| STP6X40** | 40 FT. | | |



CROSS-SECTIONAL VIEW OF CABLE

| | | | | |
|---|---------|------------------------|----------------|------|
| PART NUMBER | | STP6X** | | |
| TITLE | | | | |
| TX6A 10GIG SHIELDED PATCH CORDS (CM/LSZH) | | | | |
| CUSTOMER DRAWING | | | | |
| ITEM REVISION NAME | | M02085BA/29 | | |
| DATASET FILE NAME | | M02085BA_DC01/29A | | |
| | | THIRD ANGLE PROJECTION | | |
| MATERIAL | | | DRAWING NUMBER | |
| SEE NOTE 5 | | | 02085-01 | |
| DRAWN BY | DATE | CHK | SCALE | SIZE |
| MDJR | 8-29-02 | RWI | NONE | A |
| SHEET 1 OF 1 | | | | |

A-SIZE CUSTOMER

2

1

| 28B | 5-24-21 | BJN | REFR | RWI | SEE SHEET 1 FOR REVISION HISTORY | 02085-01 |
|-----|---------|-----|------|-----|----------------------------------|----------|
| REV | DATE | BY | CHK | APR | DESCRIPTION | ECN |