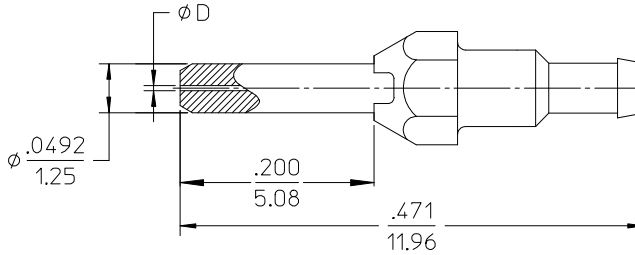
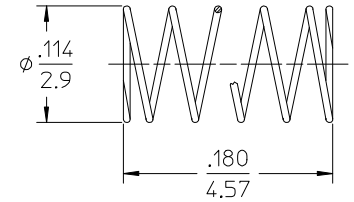


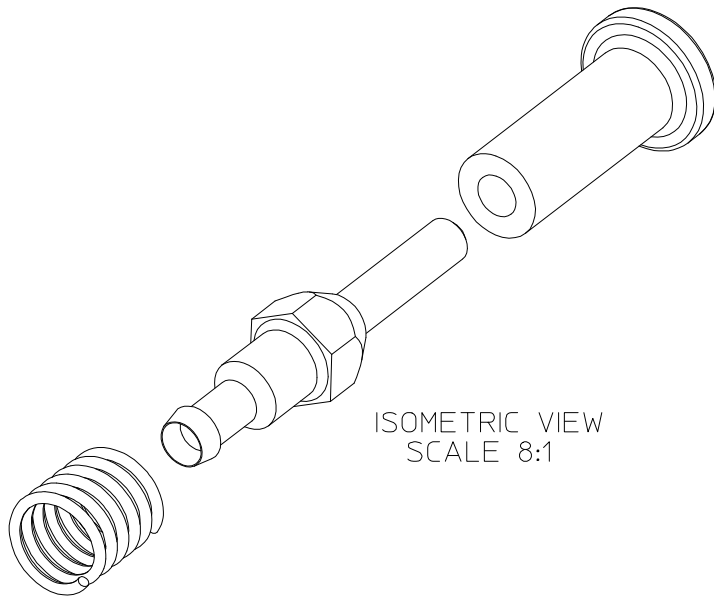
DUST CAP



LC PLUG, METAL BODY
(ZIRCONIA CERAMIC FERRULE)



COMPRESSION SPRING
(MUSIC WIRE)



ISOMETRIC VIEW
SCALE 8:1

KIT P/N	ϕD , mm	KIT TYPE
106073-0022	0.1255	SINGLE MODE
106073-0027	0.126	
106073-0032	0.127	MULTIMODE

NOTES:

1. ALL DIMENSIONS ARE FOR REFERENCE ONLY.
2. ALL PARTS ARE PACKED IN ONE BAG - 1 KIT PER BAG.
3. ALL PLASTIC MATERIALS ARE UL-94 V-0 RATED.

ENTER DESCRIPTION EC NO: MF2015-0148 DRWN: IGUMIN 2014/09/16 CHKD: APPR: IGUMIN 2014/09/17 D2	QUALITY SYMBOLS ▽=0 ▽=0	GENERAL TOLERANCES (UNLESS SPECIFIED)		DIMENSION STYLE IN/MM		SCALE 8:1	DESIGN UNITS INCH	THIRD ANGLE PROJECTION		
		4 PLACES	± ---	± ---	DRAWN BY	DATE	TITLE SNAP MATE PLUG AND COMPRESSION SPRING KIT			
		3 PLACES	± ---	± ---	KP	01/25/2006				
		2 PLACES	± ---	± ---	CHECKED BY	DATE	APPROVED BY DATE 2010/03/18			
1 PLACE	± ---	± ---								
0 PLACE	±	±			MATERIAL NO.	DOCUMENT NO.	SHEET NO. 1 OF 1			
DRAFT WHERE APPLICABLE MUST REMAIN WITHIN DIMENSIONS		ANGULAR ±1/2°		SEE TABLE		THIS DRAWING CONTAINS INFORMATION THAT IS PROPRIETARY TO MOLEX INCORPORATED AND SHOULD NOT BE USED WITHOUT WRITTEN PERMISSION				