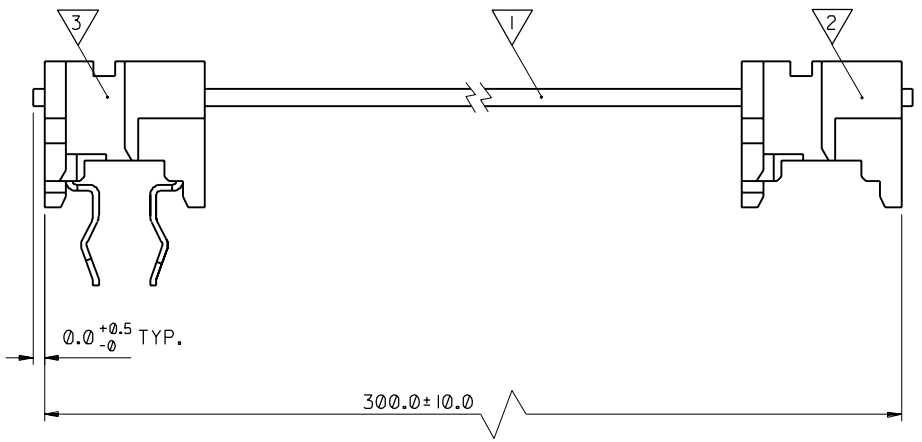
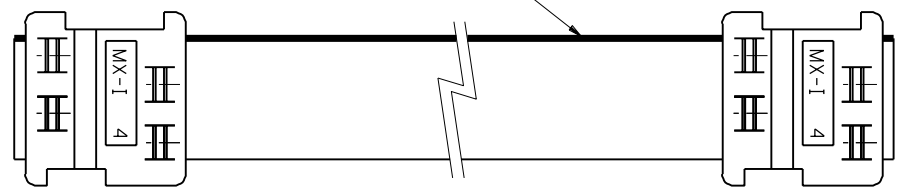


PART NO. 92301-0142
 DWG. NO. SD-92301-251

CIRCUIT IDENTIFICATION



ITEM	COMPONENT	DESCRIPTION	QUANTITY	NOTE
1	99026-0024	4 CCT RIBBON CABLE	1	4
2	90327-0353	PICOFLEX FEMALE IDT CONNECTOR	1	1, 2
3	90584-2304	PICOFLEX BOARD-IN IDT CONNECTOR	1	1, 3

NOTES:

- SEE PRODUCT SPECIFICATIONS PS-99020-0011.
- SEE TERMINATION SPECIFICATION ES-99033-0001.
- SEE TERMINATION SPECIFICATION ES-99033-0002.
- SEE CABLE SPECIFICATION ES-99027-0006.

ORIGINAL RELEASE
 EC NO. 2000-0165
 DRWN/DMCN 99/08/30
 CHK: / / / /
 APPR: / / / /
 A

QUALITY SYMBOLS
 MAJOR =
 CRITICAL =

GENERAL TOLERANCES:
 (UNLESS SPECIFIED)

	mm	INCH
4 PLACES	±0.	±.
3 PLACES	±0.	±.
2 PLACES	±0.	±.
1 PLACE	±0.	±.

ANGULAR: ± 1/2°

DRAFT WHERE APPLICABLE MUST REMAIN WITHIN DIMENSIONS

SCALE 4 : 1
 DESIGN UNITS mm INCH
 DRAWN BY & DATE DMCN 99/08/30
 CHECKED BY & DATE D.RYAN 99/08/30
 APPROVED BY & DATE MWILHITE 99/08/30
 CAD FILENAME

DIMENSIONS:
 mm INCH mm ONLY
 THIRD ANGLE PROJECTION
 SHT REV
 REVISE ON CAD ONLY

TITLE: 4 CCT RIBBON CABLE HARNESS

MOLEX INCORPORATED

MATERIAL NO. 92301-0142
 DRAWING NO. SD-92301-251
 SHEET NO. 1 OF 1

THIS DRAWING CONTAINS INFORMATION THAT IS PROPRIETARY TO MOLEX INCORPORATED AND SHOULD NOT BE USED WITHOUT WRITTEN PERMISSION.